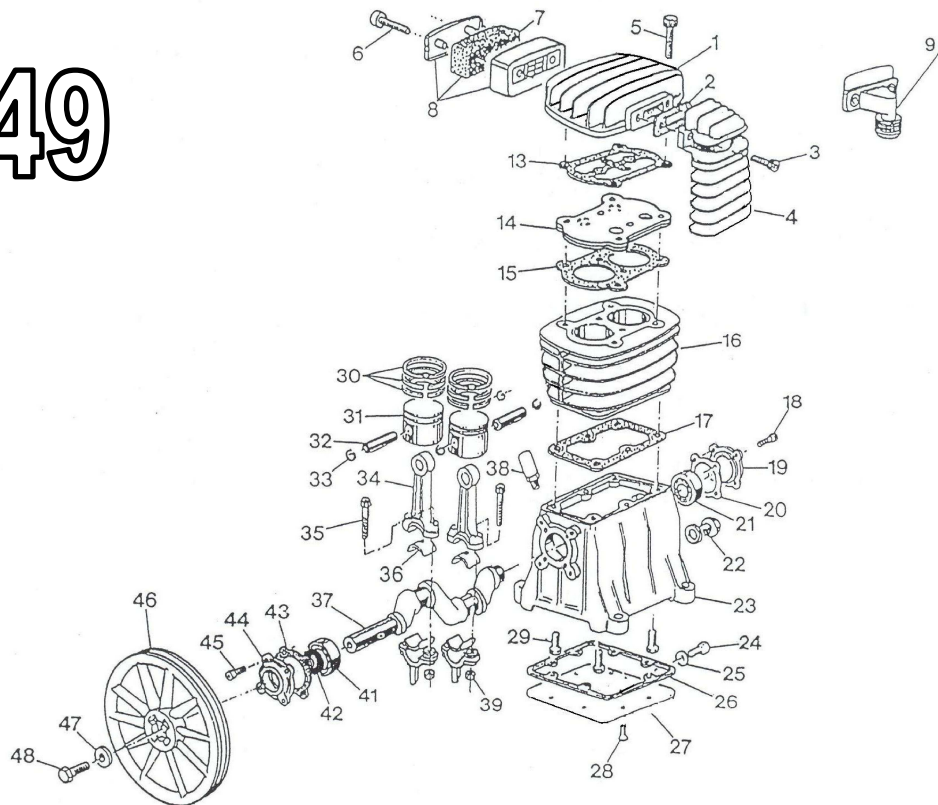


BAMAX

BX49



REF. NBR.	PART NUMBER	DESCRIPTION	DESCRIZIONE	UNITS PER ASSY
1	97019311	CYLINDER HEAD	TESTATA	1
2	55880991	GASKET AFTERCOOLER-HEAD	GUARNIZIONE COLLETTORE-TESTATA	1
4	97017867	AFTERCOOLER	COLLETTORE	1
5	55887855	SCREW M8X40	VITE M8X50	6
6	97165393	SCREW M8X30	VITE M8X30	2
7	97021745	AIR FILTER ELEMENT	CARTUCCIA FILTRO	1
8	55875132	AIR FILTER COMPLETE	FILTRO ARIA COMPLETO	1
9	97218309	DISCHARGE ELBOW	RACCORDO TUBO MANDATA	1
13	55877880	GASKET VALVE PLATE-HEAD	GUARNIZIONE PIASTRA VALVOLE-TESTATA	1
14	97230262	VALVE PLATE	PIASTRA VALVOLE	1
15	55877922	GASKET CYLINDER-VALVE PLATE	GUARNIZIONE CILINDRO-PIASTRA VALVOLE	1
16	97018097	CYLINDER	CILINDRO	1
17	97018253	GASKET CRANKCASE-CYLINDER	GUARNIZIONE CARTER-CILINDRO	1
19	92063122	CRANKCASE COVER LOV	COPERCHIO LOV	1
22	97018055	OIL LEVEL SIGHT GLASS SPIA	LIVELLO OLIO	1
23	55893473	CRANKCASE	CARTER	1
25	97019418	WASHER OIL DRAIN	RONDELLA	1
26	55900103	GASKET SUMP PLATE	GUARNIZIONE FONDO CARTER	1
27	55899694	SUMP PLATE	FONDO CARTER	1
28	97251573	SCREW TT5X15	VITE TT5X15	9
30	97232300	RING KIT	KIT SEGMENTI	1
31	97018170	PISTON	PISTONE	2
32	97018188	WRIST PIN	SPINOTTO	2
33	97018550	CIRCLIP	ANELLO	4
34	97166185	CONNECTING ROD	BIELLA	2
35	92391440	SCREW M8X45	VITE M8X45	4
36	97018121	SHELL BEARING	SEMIGUSCIO	4
37	97018295	CRANKSHAFT	ALBERO A GOMITO	1
38	97232193	OIL FILLER BREATHER	TAPPO CARICA OLIO	1
39	97019459	NUT SELF LOCKING	DADO AUTOBLOCCANTE	4
42	97019350	OIL SEAL	ANELLO TENUTA	1
44	97146393	CRANKCASE COVER LV	COPERCHIO LV	1
46	97020010	BELT WHEEL	VOLANO	1
47	97019145	WASHER BELT WHEEL	ROSETTA VOLANO	1
48	97019111	SCREW BELT WHEEL	VITE VOLANO	1
18 / 45	97019160	SCREW M6X14	VITE M6X14	8
20 / 43	97017735	GASKET CRANKCASE COVER	GUARNIZIONE COPERCHIO	2
21 / 41	95200622	BEARING 6205	CUSCINETTO 6205	2
3 / 24 / 29	97019178	SCREW M8X20	VITE M8X20	9