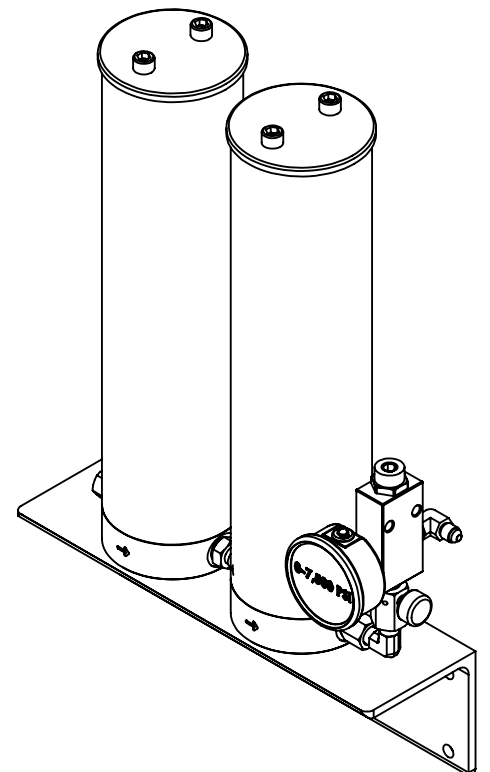
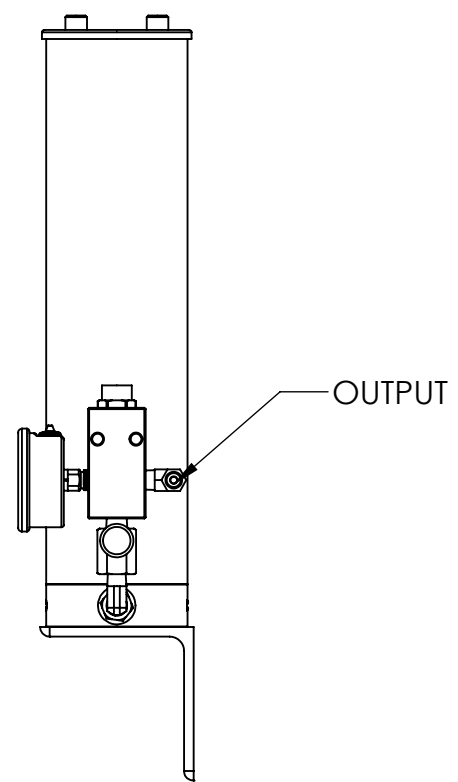
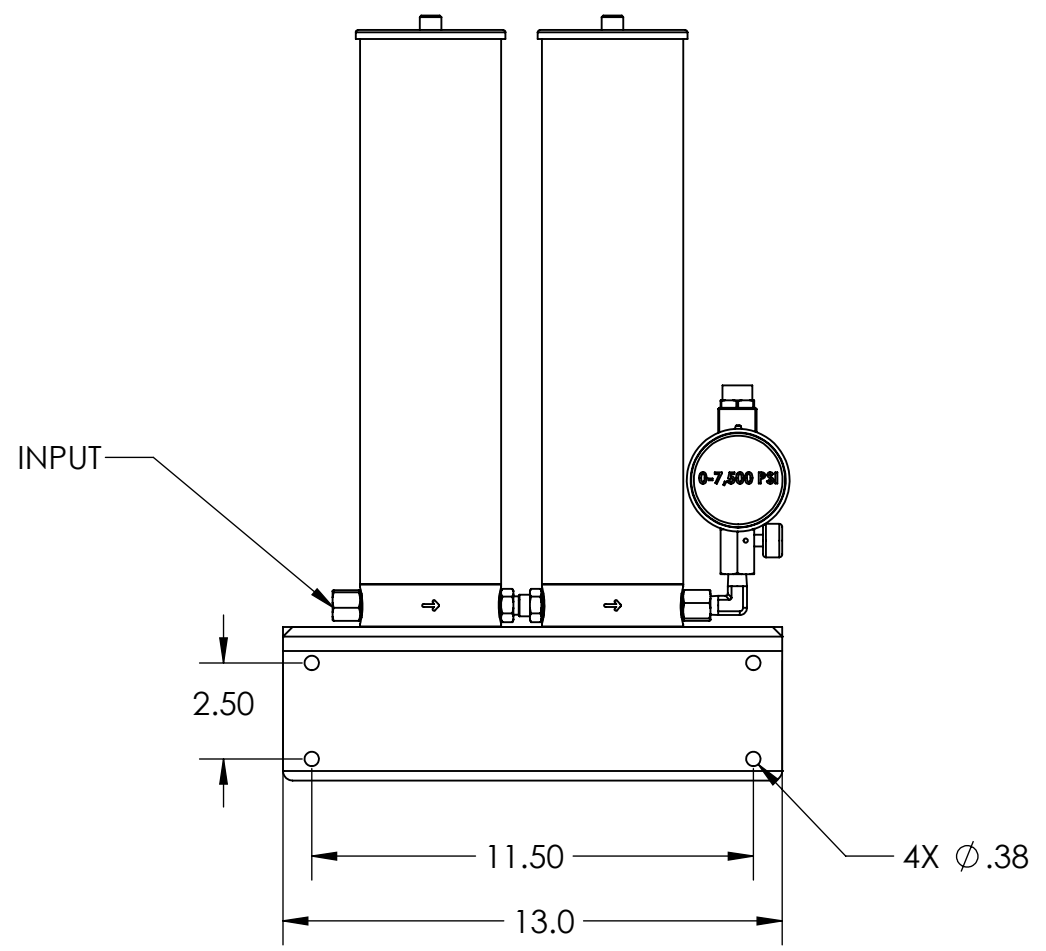
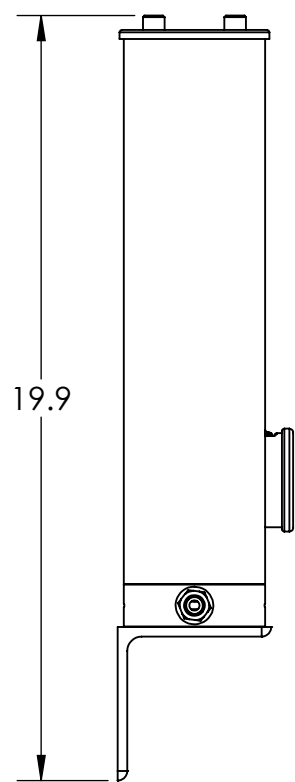
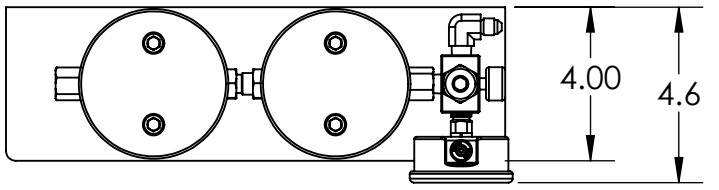


8 7 6 5 4 3 2 1

REVISIONS			
REV.	DESCRIPTION	BY	DATE
A	INITIAL RELEASE	RGG	3/30/2020



D
C
B
A

D
C
B
A

NOTES:
1. OPTIONAL FITTINGS AND EQUIPMENT MAY BE SHOWN

PROPRIETARY AND CONFIDENTIAL
THE INFORMATION CONTAINED IN THIS DRAWING IS THE SOLE PROPERTY OF NUVAIR. ANY REPRODUCTION IN PART OR AS A WHOLE WITHOUT THE WRITTEN PERMISSION OF NUVAIR IS PROHIBITED.

UNLESS OTHERWISE SPECIFIED: DIMENSIONS ARE IN INCHES TOLERANCES:	
.X	±1/4
.XX	±1/8
.XXX	±1/16
.XXXX	±1/32
ANGLE	±1°
INTERPRET GEOMETRIC TOLERANCING PER: WELDING SHOP	
MATERIAL	
FINISH	
DO NOT SCALE DRAWING	

NAME	DATE
DRAWN RGG	3/27/20
CHECKED	
ENG APPR.	
MFG APPR.	
Q.A.	
COMMENTS:	

Nuair Compressors

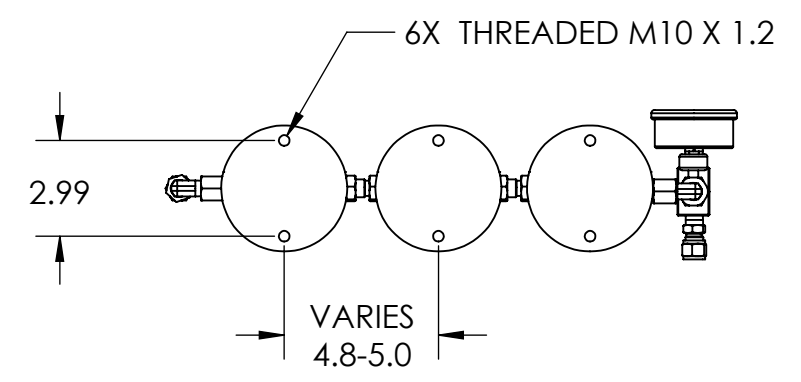
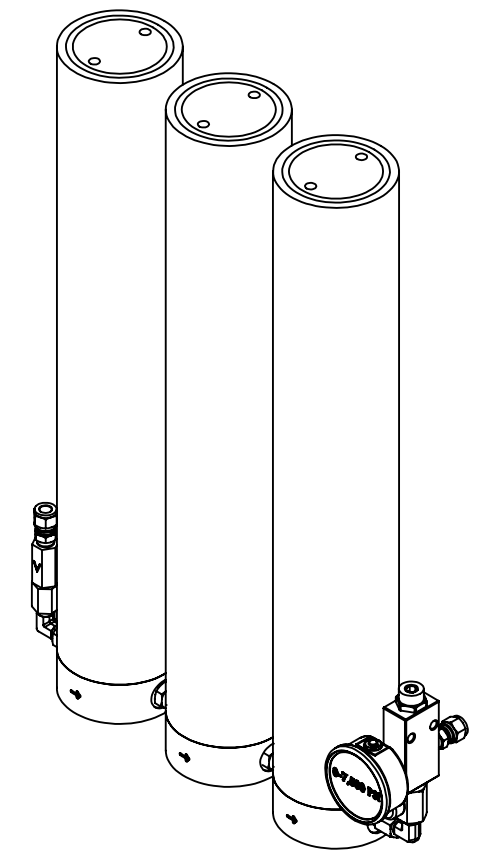
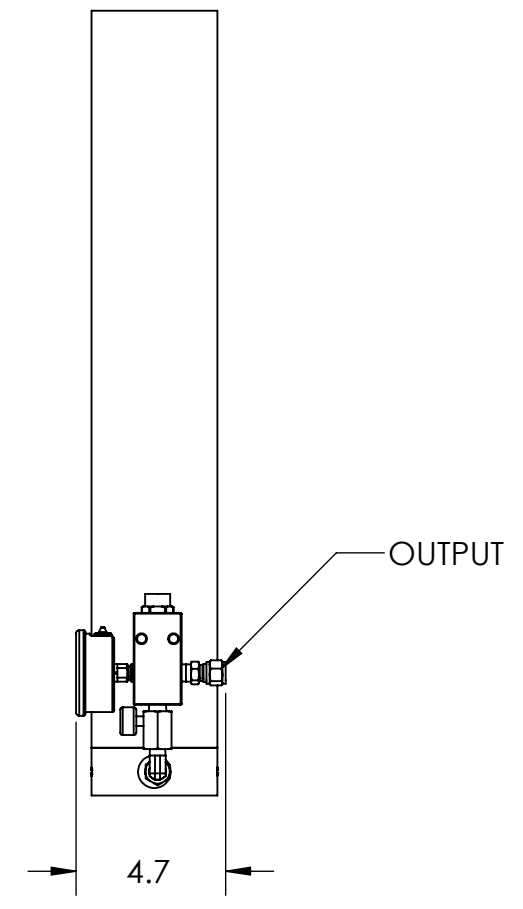
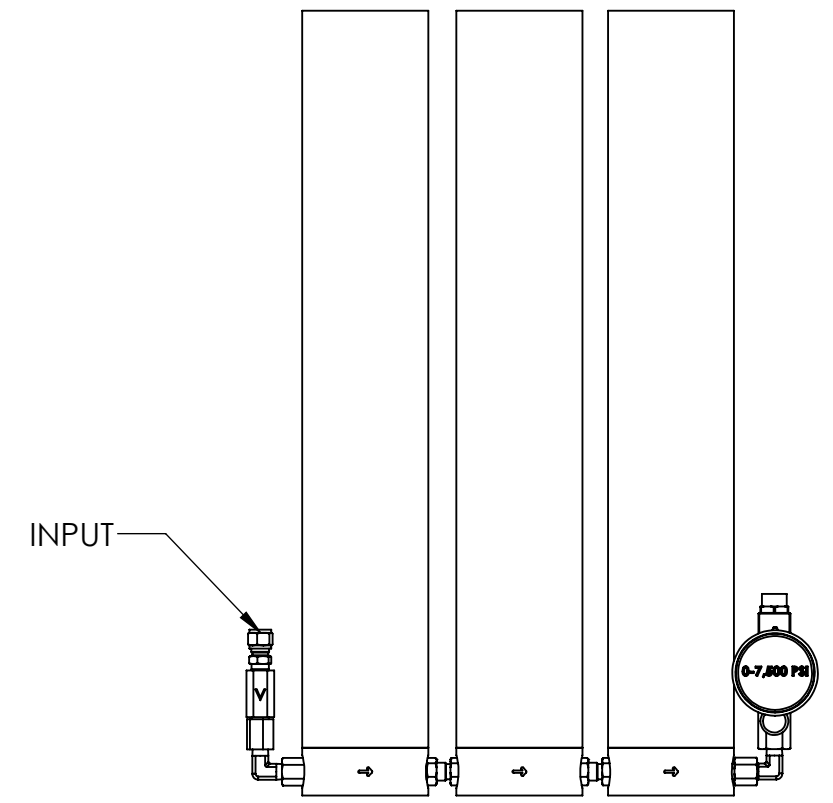
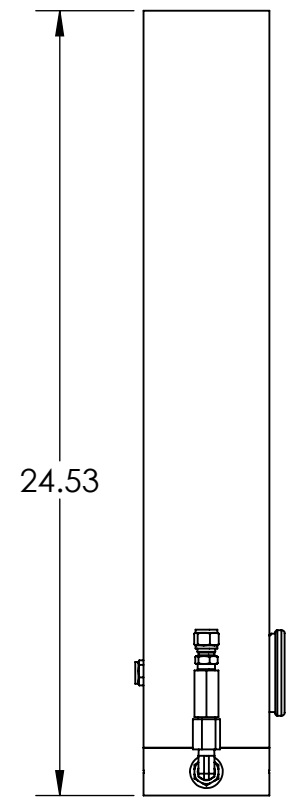
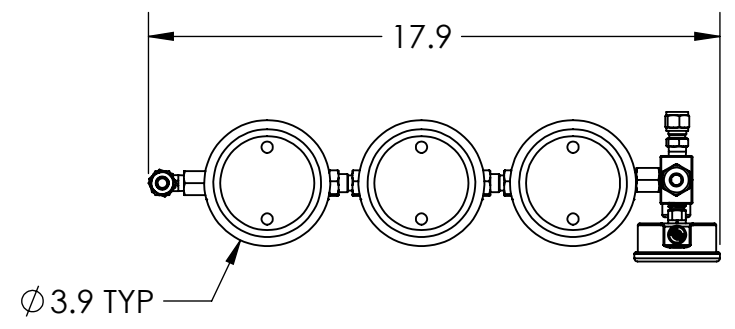
TITLE:
**DOUBLE CAN15
ANGLE MOUNT**

SIZE B	DWG. NO. TBD	REV A
SCALE: 1:5	WEIGHT:	SHEET 1 OF 1

8 7 6 5 4 3 2 1

8 7 6 5 4 3 2 1

REVISIONS			
REV.	DESCRIPTION	BY	DATE
A	INITIAL RELEASE	RGG	3/28/2020



NOTES:
1. OPTIONAL FITTINGS AND EQUIPMENT MAY BE SHOWN

PROPRIETARY AND CONFIDENTIAL
THE INFORMATION CONTAINED IN THIS DRAWING IS THE SOLE PROPERTY OF NUVAIR. ANY REPRODUCTION IN PART OR AS A WHOLE WITHOUT THE WRITTEN PERMISSION OF NUVAIR IS PROHIBITED.

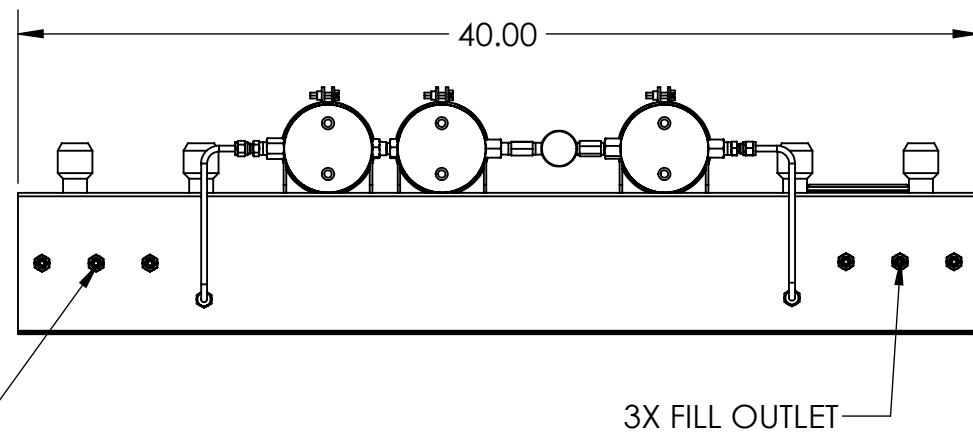
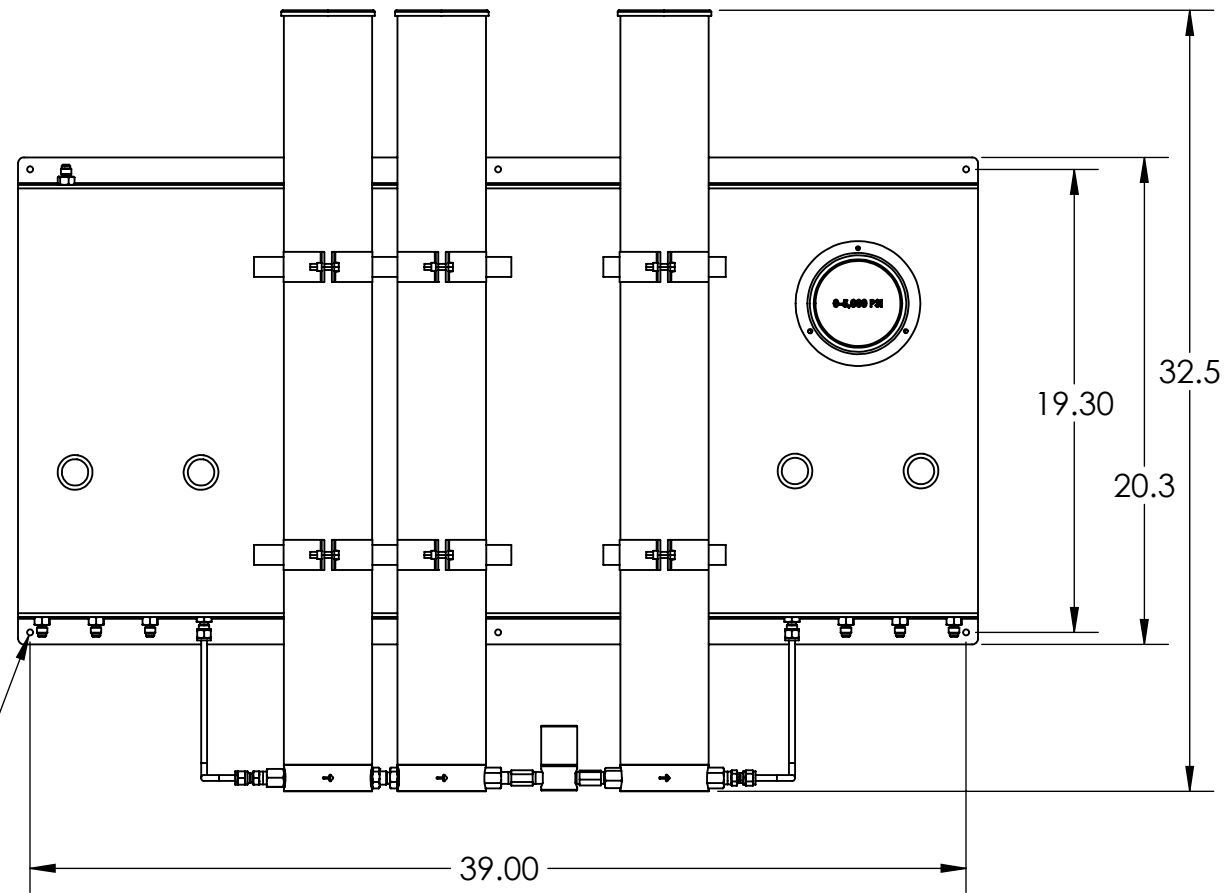
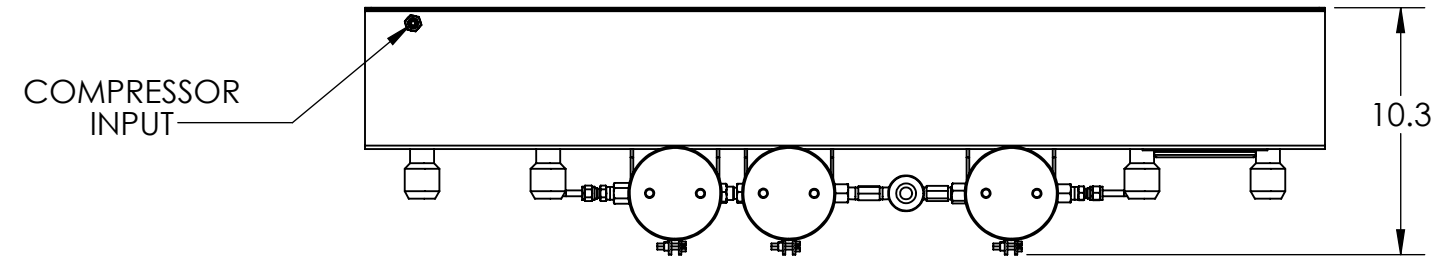
UNLESS OTHERWISE SPECIFIED: DIMENSIONS ARE IN INCHES TOLERANCES: .X ±1/4 .XX ±1/8 .XXX ±1/16 .XXXX ±1/32 ANGLE ±1°	NAME	DATE
	DRAWN	RGG 3/28/20
	CHECKED	
	ENG APPR.	
	MFG APPR.	
INTERPRET GEOMETRIC TOLERANCING PER: WELDING SHOP	Q.A.	
MATERIAL	COMMENTS:	
FINISH		
DO NOT SCALE DRAWING		

Nuair Compressors

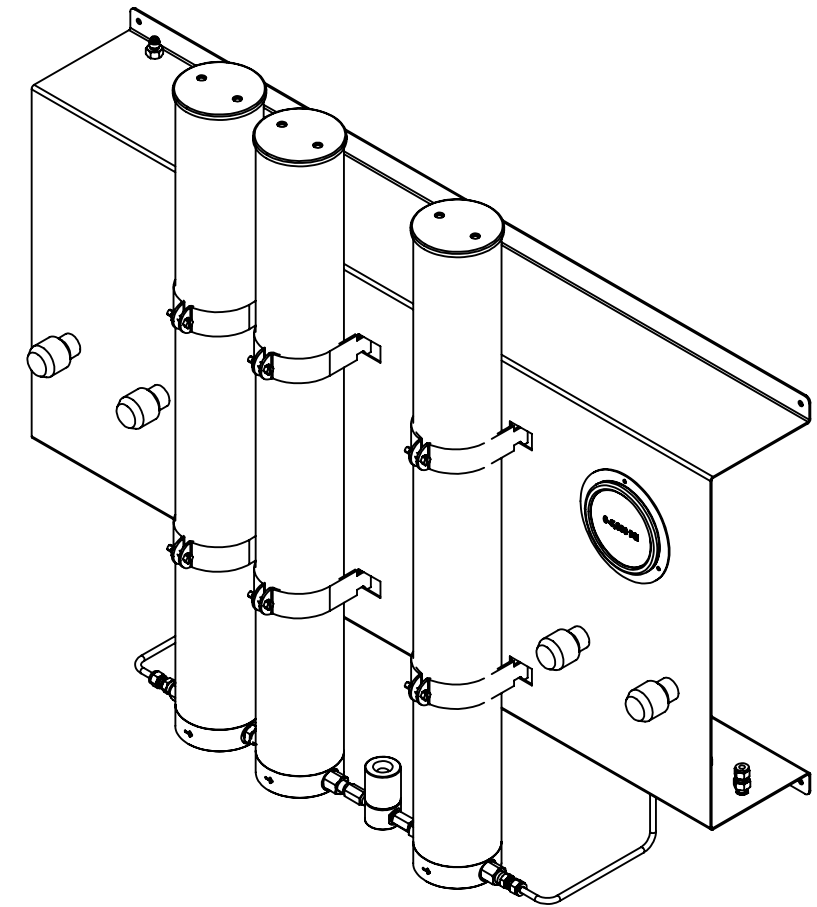
TITLE: **3X CAN25 BASE MOUNTED**

SIZE B	DWG. NO. TBD	REV A
SCALE: 1:6	WEIGHT:	SHEET 1 OF 1

8 7 6 5 4 3 2 1



REVISIONS			
REV.	DESCRIPTION	BY	DATE
A	INITIAL RELEASE	RGG	3/29/2020



NOTES:
1. OPTIONAL FITTINGS AND EQUIPMENT MAY BE SHOWN

PROPRIETARY AND CONFIDENTIAL
THE INFORMATION CONTAINED IN THIS DRAWING IS THE SOLE PROPERTY OF NUVAIR. ANY REPRODUCTION IN PART OR AS A WHOLE WITHOUT THE WRITTEN PERMISSION OF NUVAIR IS PROHIBITED.

UNLESS OTHERWISE SPECIFIED:
DIMENSIONS ARE IN INCHES
TOLERANCES:
.X ±1/4
.XX ±1/8
.XXX ±1/16
.XXXX ±1/32
ANGLE ±1°

INTERPRET GEOMETRIC TOLERANCING PER: WELDING SHOP
MATERIAL
FINISH
DO NOT SCALE DRAWING

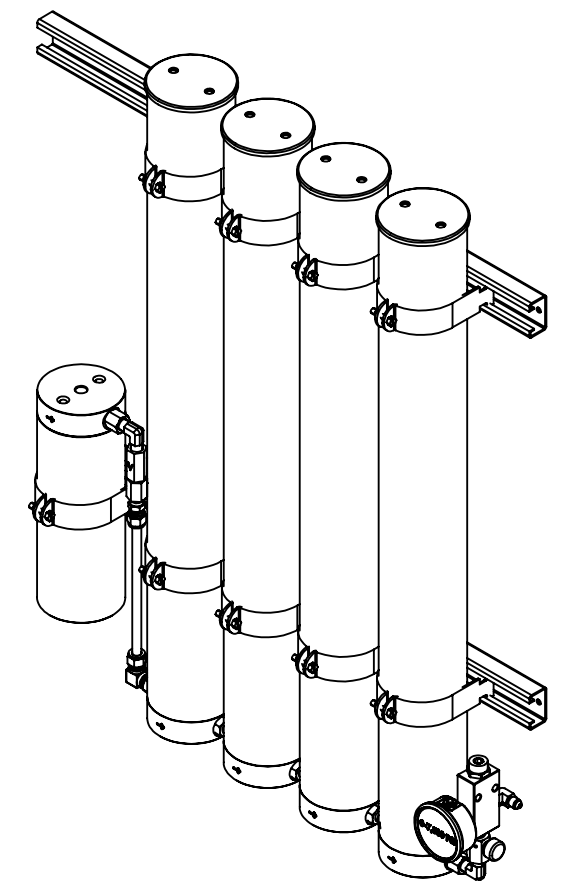
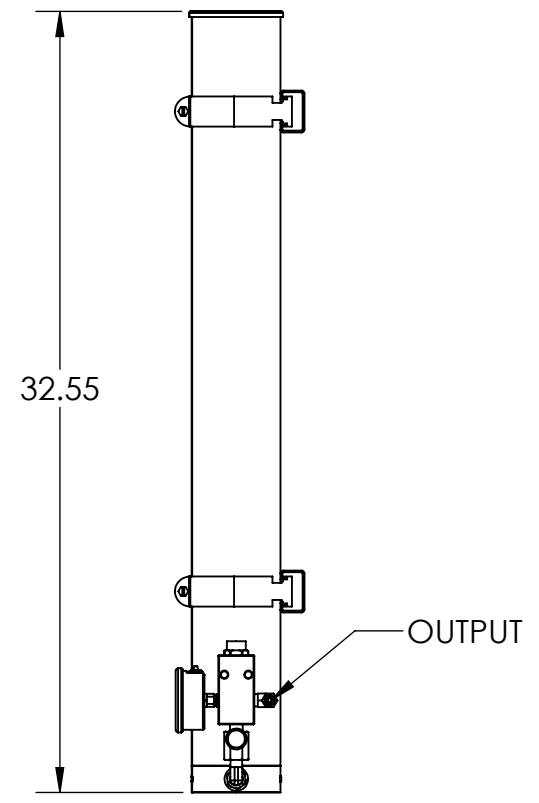
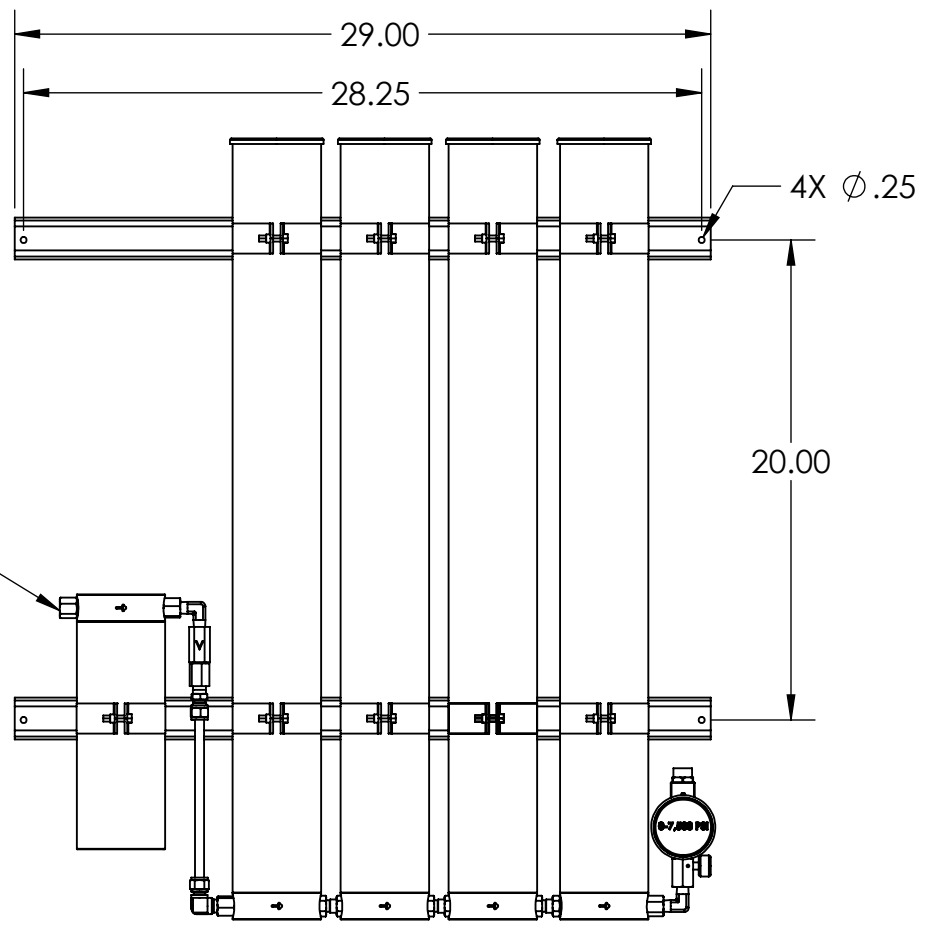
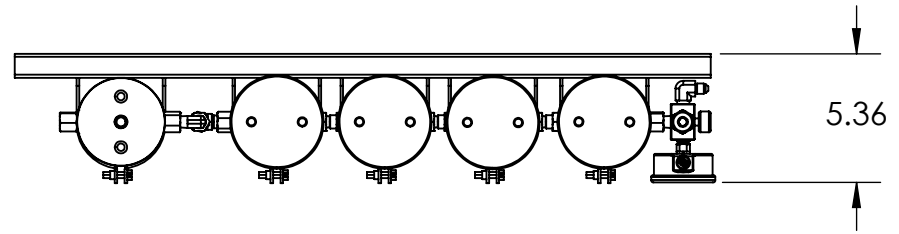
	NAME	DATE
DRAWN	RGG	3/29/30
CHECKED		
ENG APPR.		
MFG APPR.		
Q.A.		
COMMENTS:		

Nuair Compressors

TITLE:
**3X CAN35
PANEL MOUNTED**

SIZE B	DWG. NO. TBD	REV A
SCALE: 1:8	WEIGHT:	SHEET 1 OF 1

REVISIONS			
REV.	DESCRIPTION	BY	DATE
A	INITIAL RELEASE	RGG	3/28/2020



NOTES:
1. OPTIONAL FITTINGS AND EQUIPMENT MAY BE SHOWN

PROPRIETARY AND CONFIDENTIAL
THE INFORMATION CONTAINED IN THIS DRAWING IS THE SOLE PROPERTY OF NUVAIR. ANY REPRODUCTION IN PART OR AS A WHOLE WITHOUT THE WRITTEN PERMISSION OF NUVAIR IS PROHIBITED.

UNLESS OTHERWISE SPECIFIED: DIMENSIONS ARE IN INCHES TOLERANCES:	
.X	+1/4
.XX	+1/8
.XXX	+1/16
.XXXX	+1/32
ANGLE	±1°
INTERPRET GEOMETRIC TOLERANCING PER: WELDING SHOP	
MATERIAL	
FINISH	
DO NOT SCALE DRAWING	

NAME	RGG	DATE	3/28/20
DRAWN			
CHECKED			
ENG APPR.			
MFG APPR.			
Q.A.			
COMMENTS:			

Nuair Compressors

TITLE:
**4X CAN35
WALL MOUNTED**

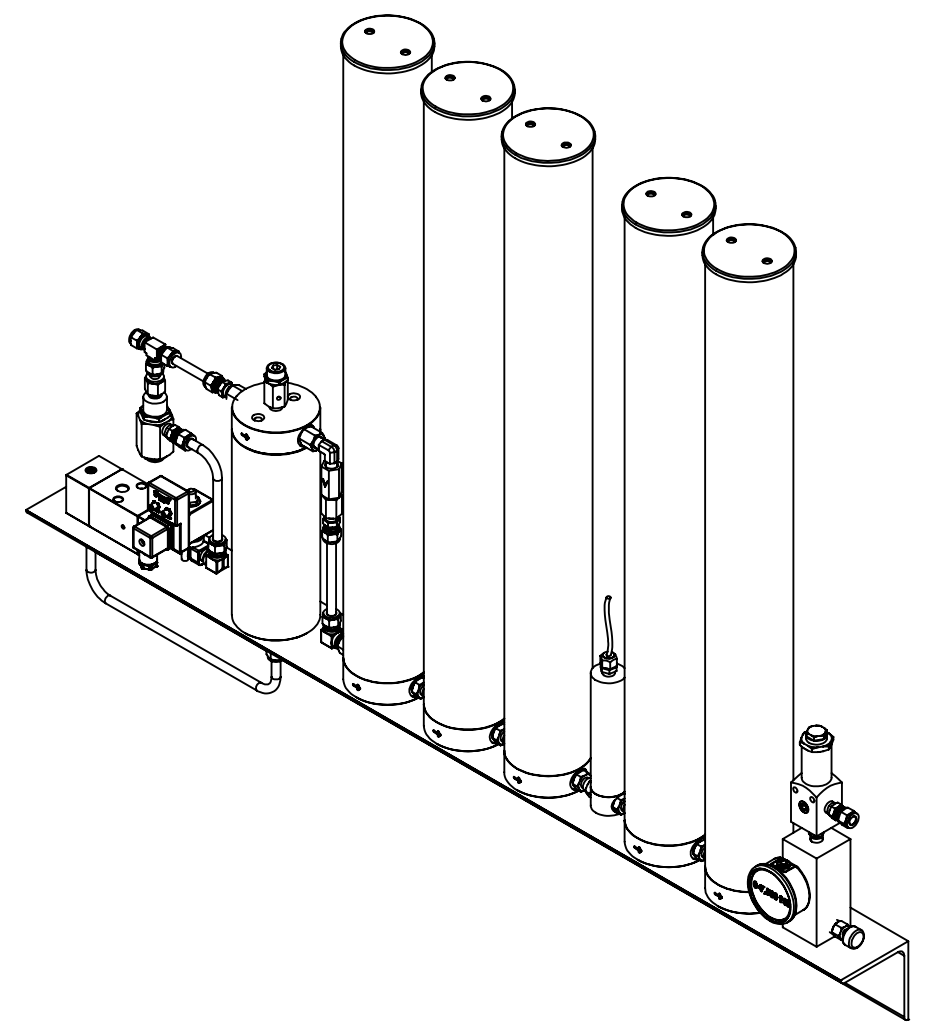
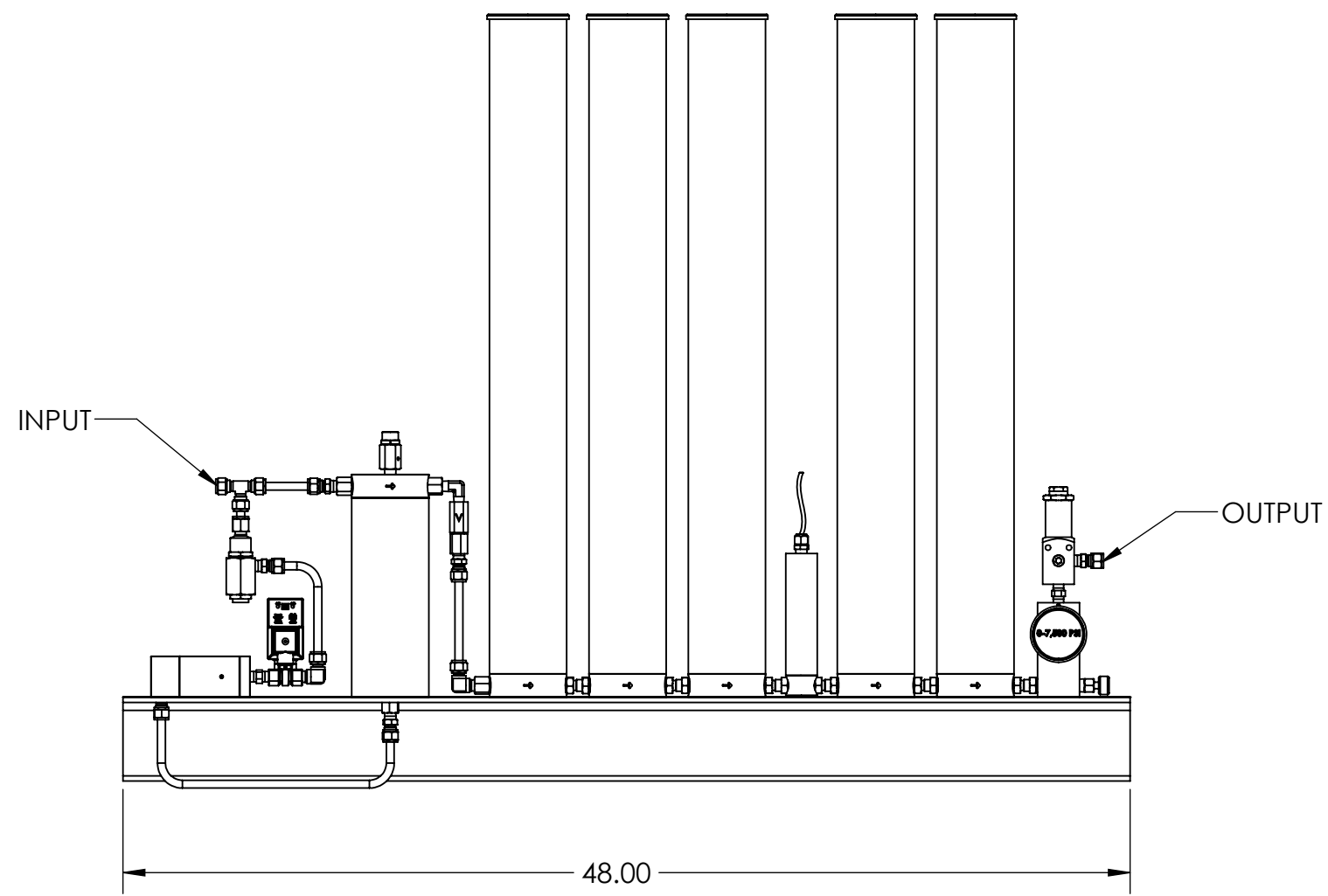
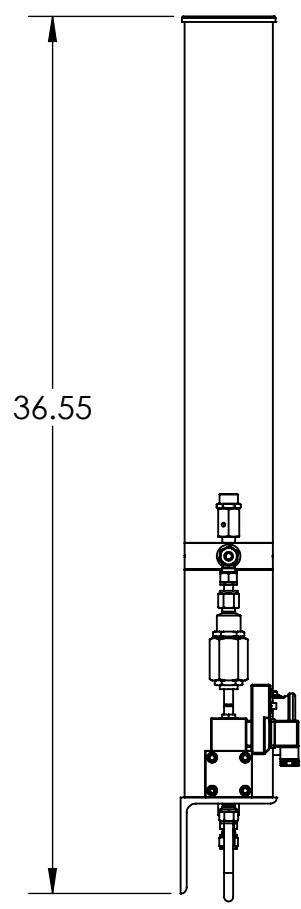
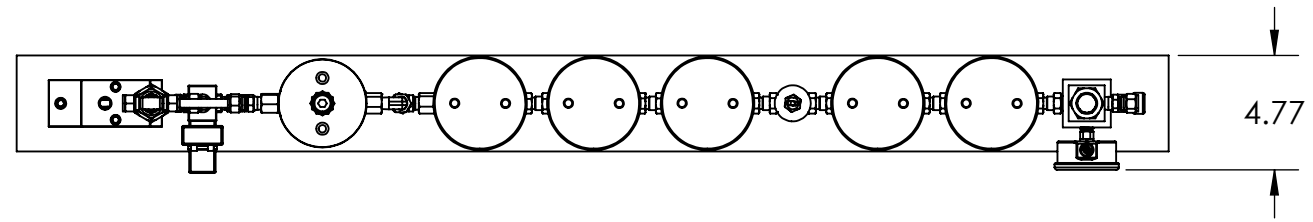
SIZE	DWG. NO.	REV
B	TBD	A
SCALE: 1:8	WEIGHT:	SHEET 1 OF 1

8 7 6 5 4 3 2 1

REVISIONS			
REV.	DESCRIPTION	BY	DATE
A	INITIAL RELEASE	RGG	3/30/2020

D
C
B
A

D
C
B
A



NOTES:
1. OPTIONAL FITTINGS AND EQUIPMENT MAY BE SHOWN

PROPRIETARY AND CONFIDENTIAL
THE INFORMATION CONTAINED IN THIS DRAWING IS THE SOLE PROPERTY OF NUVAIR. ANY REPRODUCTION IN PART OR AS A WHOLE WITHOUT THE WRITTEN PERMISSION OF NUVAIR IS PROHIBITED.

UNLESS OTHERWISE SPECIFIED:
DIMENSIONS ARE IN INCHES
TOLERANCES:
.X ±1/4
.XX ±1/8
.XXX ±1/16
.XXXX ±1/32
ANGLE ±1°
INTERPRET GEOMETRIC TOLERANCING PER: WELDING SHOP
MATERIAL
FINISH
DO NOT SCALE DRAWING

	NAME	DATE
DRAWN	RGG	3/30/20
CHECKED		
ENG APPR.		
MFG APPR.		
Q.A.		
COMMENTS:		

Nuair Compressors
TITLE: 5X CAN35 w/ SEP15 AUTO DRAIN & MOISTURE MONITOR ANGLE MOUNTED
SIZE **B** DWG. NO. TBD REV **A**
SCALE: 1:8 WEIGHT: SHEET 1 OF 1

8 7 6 5 4 3 2 1