

Italiano 
English 



HIGH PRESSURE COMPRESSORS FOR PURE BREATHING AIR AND TECHNICAL GASES
COMPRESSORE AD ALTA PRESSIONE PER ARIA RESPIRABILE E GAS TECNICI



**CATALOGO RICAMBI
SPARE PARTS LIST**

BOOSTER COMPACT

Indice	Index	Pag.
FLANGE/VENTOLA	FLANGE/COOLING FAN	4
1° STADIO	1 st STAGE	6
2° STADIO	2 nd STAGE	8
3° STADIO	3 rd STAGE	10
CIRCUITO DI PRESSIONE	PRESSURE CIRCUIT	12
SUPPORTI / FILTRI / VALVOLE	SUPPORTS / FILTERS / VALVES	14
CIRCUITI DI FILTRAZIONE E SCARICO CONDENSA	FILTERING AND CONDENSATE DISCHARGE CIRCUITS	16
LIVELLO OLIO	OIL LEVEL	18
TELAIO	FRAME	18
TARGHETTE DI SICUREZZA	SAFETY INFO LABEL	20
PULEGGIA MOTORE/CINGHIA DI TRASMISSIONE	ENGINE PULLEY/TRANSMISSION BELT	22
COMPONENTI ELETTRICI	ELECTRICAL COMPONENTS	22
OLIO DI LUBRIFICAZIONE E GRASSO	LUBRICATION OIL AND GREASE	22



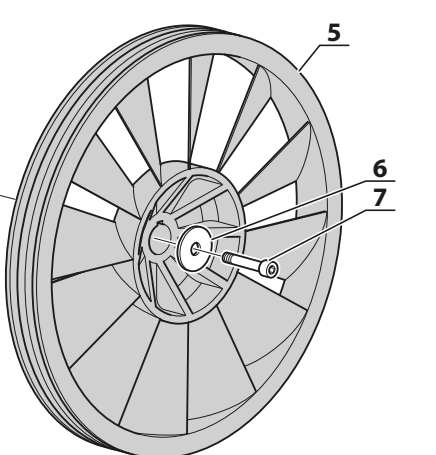
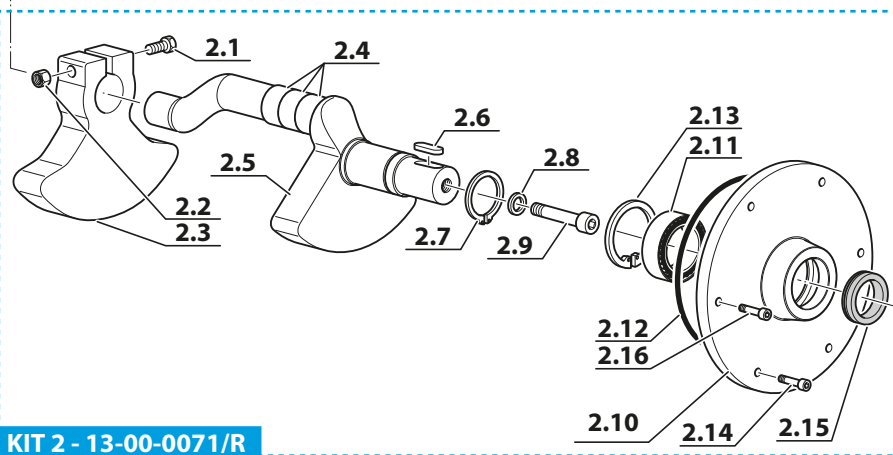
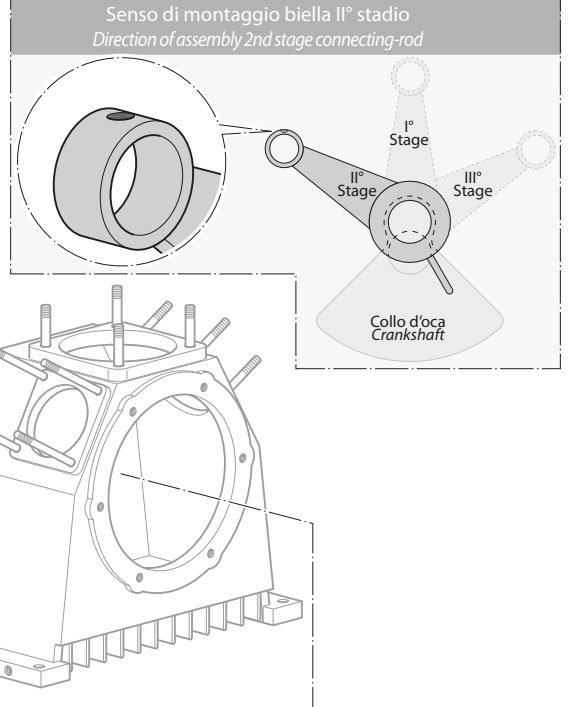
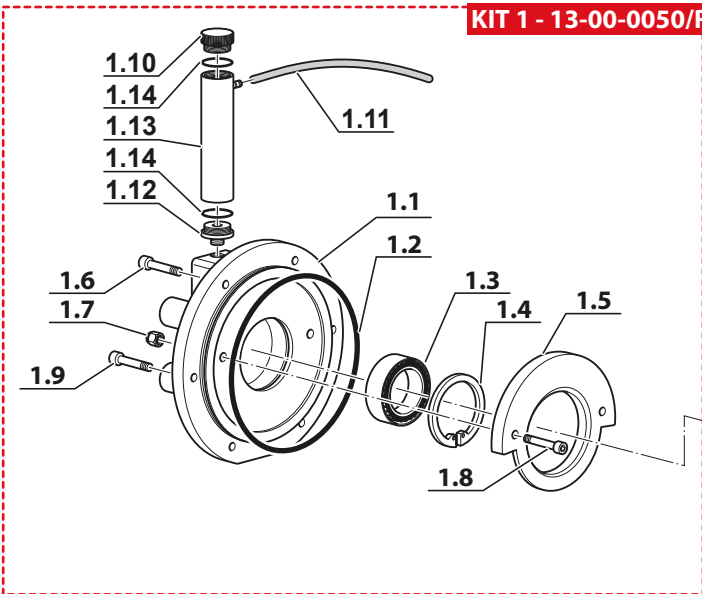
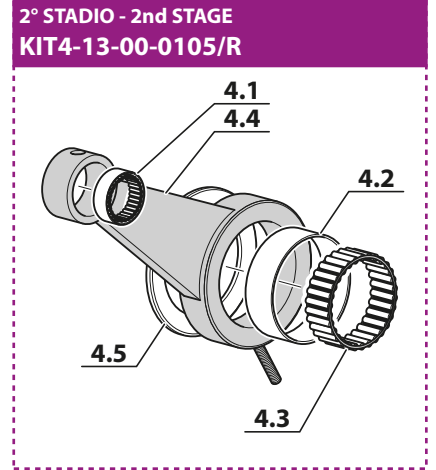
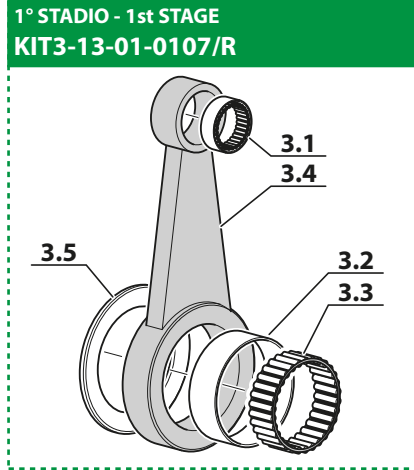
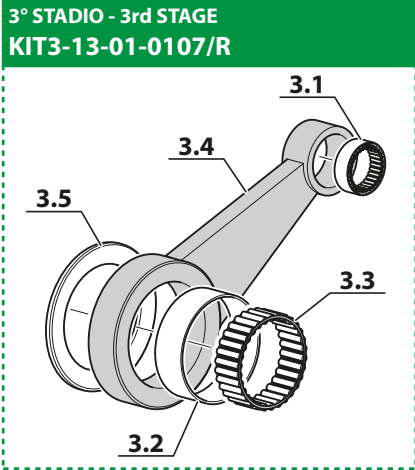
I prezzi indicati nel presente listino sono IVA ESCLUSA.
 La resa della merce È FRANCO nostra fabbrica - trasporto escluso.
All prices herewith listed are vat excluded.
Delivery terms : ex work our company.

I dati riportati nel presente catalogo non sono impegnativi. AEROTECNICA COLTRI SpA si riserva di modificare i dati in qualsiasi momento.
 AEROTECNICA COLTRI SpA reserves the right of amending the data contained in this catalogue at any time.

FLANGE/VENTOLA - FLANGE/COOLING FAN

Rif. Pos.	Q.tà Q.ty	Codice Code	Descrizione	Description
KIT1	1	13-00-0050/R	KIT FLANGIA LATO FILTRI MCH13/16	FILTER SIDE FLANGE MCH13/16 KIT
1.1	1		FLANGIA LATO FILTRI MCH13/16	FILTER SIDE FLANGE MCH13/16
1.2	1		O-RING 2562 NBR 90SH FLANGIA	FLANGE O-RING 2562
1.3	1		CUSCINETTO RULLI FLANGIA NU305	FLANGE ROLLER BEARING NU305
1.4	1		ANELLO ELASTICO SEEGER J 62 DIN 472	SEEGER RETAINING RING J 62
1.5	1		FLANGIA MEZZALUNA DIAM. 140X80 SP. 10/10	HALF MOON FLANGE 140X80 SP. 10/10 MCH13/16
1.6	6		VITE 8X25 T.C.E. ZINC. DIN 912	SCREW 8X25 T.C.E. ZINC. DIN 912
1.7	2		DADO ZINCATO AUTOBLOC. M6 ALTO	SELF LOCKING NUT M6 HIGH
1.8	2		VITE 6X35 T.C.E. ZINC. DIN 912	SCREW 6X35 T.C.E. ZINC. DIN 912
1.9	2		VITE T.C.E. ZINCATA 8X30	SCREW T.C.E. ZINCATA 8X30
1.10	1		TAPPO 1/2 (ROSSO) CARICO OLIO MCH13/16	OIL FILLING CAP 1/2 (RED) MCH13/16
1.11	0,3		TUBO RILSAN 6X4	RILSAN HOSE 6X4
1.12	1		RACCORDO INFERIORE TUBO CARICO OLIO	LOWER OIL CHARGE TUBE FITTING MCH13/16
1.13	1		TUBO CARICO OLIO MCH13-16	OIL FILLING TUBE MCH13/16
1.14	2		O-RING 3137 NBR 90SH (34.60X2.62)	O-RING 3137 NBR 90SH (34.60X2.62)
KIT2	1	13-00-0071/R	KIT FLANGIA LATO VENTOLA+COLLO D'OCA MCH 13/16	FAN SIDE FLANGE+CRANKSHAFT MCH13-16 KIT
2.1	1		VITE T.C.E. ZINCATA 8X65	8X65 TCE SCREW
2.2	1		DADO ZINCATO AUTOBLOC. M8 ALTO	8MM SELF-LOCKING NUT
2.3	1		CONTRAPPESO MCH13	COUNTERWEIGHT
2.4	3		ANELLO TEMPRATO LR 30X35X16,5	HARDENED RING LR 30X35X16,5
2.5	1		COLLO D'OCA MCH13/16	CRANKSHAFT MCH13/16
2.6	1		CHIAVETTA MM.8X7X25	KEY MM.8X7X25
2.7	1		ANELLO ELASTICO SEEGER A30 30X1,5	SEEGER RETAINING RING A30 30X1,5
2.8	1		RONDELLA PIANA M10 ZINCATA	WASHER M10
2.9	1		VITE 10X40 T.C.E. ZINC.	SCREW 10X40 T.C.E. ZINC.
2.10	1		FLANGIA LATO VENTOLA MCH 13/16	FAN SIDE FLANGE MCH13-16
2.11	1	13-00-0070/N	CUSCINETTO A RULLI NUP 206 C3	ROLLER BEARING NUP 206 C3
2.12	1		O-RING 2562 NBR 90SH FLANGIA	FLANGE O-RING 2562
2.13	1		ANELLO ELASTICO SEEGER J 62 DIN 472	SEEGER RETAINING RING J 62
2.14	4		VITE 8X25 T.C.E. ZINC. DIN 912	SCREW 8X25 T.C.E. ZINC. DIN 912
2.15	1	13-00-0173/D	PARAOILIO DOPPIO LABBRO 30X48X8	OIL SPLASH GUARD 30-48-8
2.16	2		VITE T.C.E. ZINCATA 8X30	SCREW T.C.E. ZINCATA 8X30
KIT3	1	13-01-0107/R	KIT BIELLA PRIMO/TERZO STADIO MCH13/16	1ST/3RD STAGE CON-ROD ASS.BLY KIT
3.1	1		GABBIA A RULLI HK2020 AS1	BEARING ROLLER
3.2	1		ANELLO TEMPRATO IR 42X47X15,1 INTERNO BIELLA	HARDENED RING IR 42X47X15,1
3.3	1		GABBIA A RULLI 35X42X16-AH	BEARING ROLLER
3.4	1		BIELLA PRIMO/TERZO STADIO MCH13/16	1ST/3RD STAGE CON-ROD
3.5	1		RALLA AS 3552	SPACER
KIT4	1	13-00-0105/R	KIT BIELLA SECONDO STADIO MCH13/16	2ND STAGE CON-ROD ASS.BLY MCH13/16 KIT
4.1	1		GABBIA A RULLI HK2020 AS1	BEARING ROLLER
4.2	1		ANELLO TEMPRATO IR 42X47X15,1 INTERNO BIELLA	HARDENED RING IR 42X47X15,1
4.3	1		GABBIA A RULLI 35X42X16-AH	BEARING ROLLER
4.4	1		BIELLA SECONDO STADIO MCH13/16	2ND STAGE CON-ROD
4.5	1		RALLA AS 3552	SPACER
5	1	13-00-0077	VENTOLA DI RAFFREDDAMENTO MCH13/16	COOLING FAN WHEEL MCH13-16
6	1	13-00-01177	RONDELLA VENTOLA MCH-13-16 ZINCATA	WASHER COOLING FAN MCH-13-16
7	1	13-00-0081	VITE 10X40 T.C.E. ZINC.	SCREW 10X40 T.C.E. ZINC.

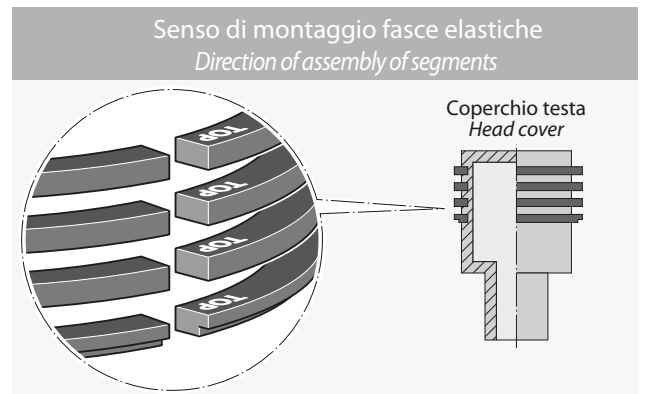
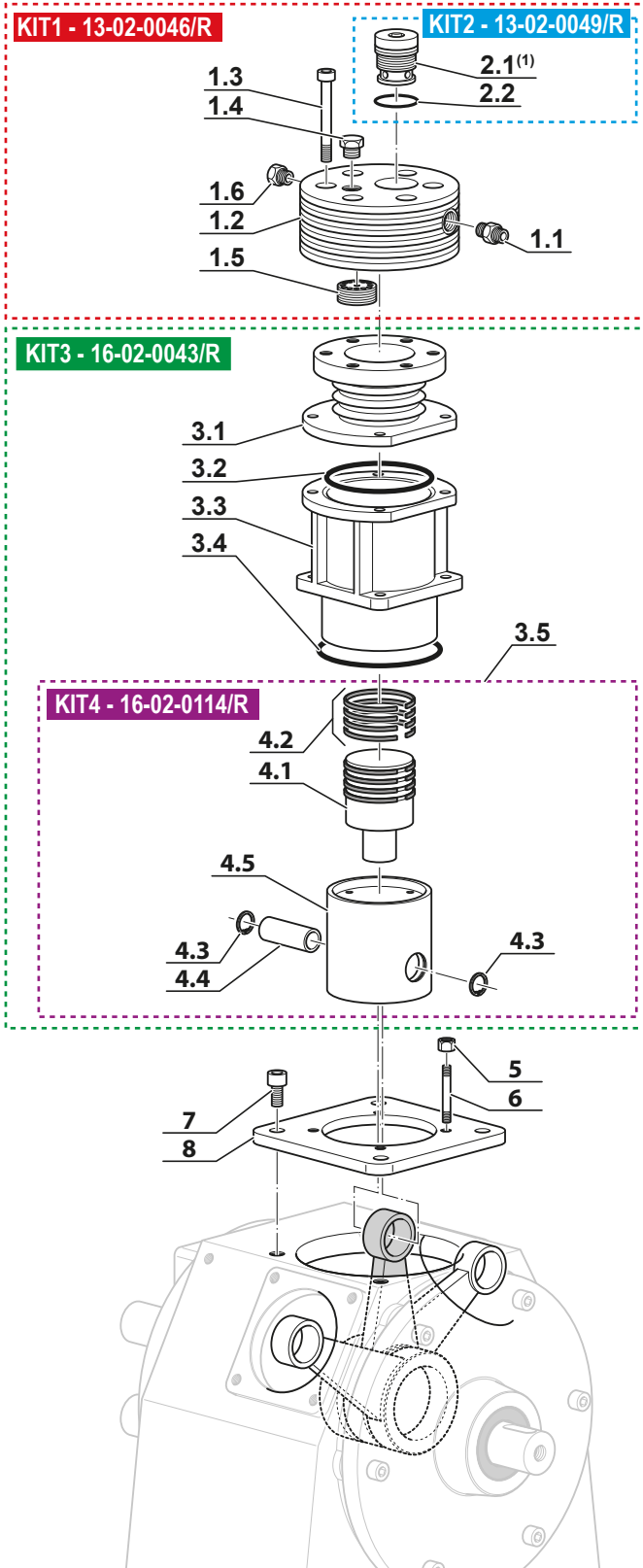
FLANGE/VENTOLA - FLANGE/COOLING FAN



1° STADIO - 1st STAGE

Rif. Pos.	Q.tà Q.ty	Codice Code	Descrizione	Description
KIT1	1	13-02-0046/R	TESTA 2° STADIO COMPLETA DI VALVOLE E RACCORDI	2ND STAGE HEAD COMPLETE WITH FITTING-ALVE
1.1	2		RACCORDO DIRITTO 1/4 TUBO 10MM	LONG STRAIGHT 1/4 PIPE FITTING10MM.
1.2	1		TESTA 2° STADIO MCH13/16	SECOND STAGE HEAD MCH13/16
1.3	6		VITE T.C.E. ZINC. 8X30	SCREW 8X30 T.C.E. ZINC.
1.4	1		TAPPO 1/8 NPT CIECO	PLUG 1/8 NPT
1.5	1	13-02-0044	VALVOLA ASPIRAZIONE INOX 2°STADIO	2ND STAGE SUCTION VALVE INOX
1.6	1		RACC. PORTAFILTRO SEP.	SEPARATOR FITTING
KIT2	1	13-02-0049/R	KIT VALV.SCAR. INOX 2° STAD. MCH13/16	2ND STAGE PRESSURE VALVE INOX MCH13/16 KIT
2.1	1		VALV.SCAR.2° STAD. MCH13/16	2ND STAGE PRESSURE VALVE ASS MCH13/16
2.2	1		O-RING 4087 VITON 90 (21.82X3.53)	O-RING 4087 (21,82X3,53) VITON 90
KIT3	1	16-02-0043/R	KIT CILINDRO SECONDO STADIO D.38MM MCH16	2ND STAGE CYLINDER D.38MM MCH16 KIT
3.1	1		CILINDRO SECONDO STADIO D.38MM MCH16	2ND STAGE CYLINDER D.38MM MCH16
3.2	1		O-RING 3237 NBR 90SH (60.00X2.62)	O-RING 3237 NBR 90SH 60X2,62
3.3	1		CILINDRO GUIDA 2° STAD. D.60MM	2ND STAGE 60MM. GUIDING CYLINDMCH13/16
3.4	1		O-RING 2275 NBR 90SH (69.57X1.78)	O-RING 2275 NBR 90SH 69,57X1,78
3.5	1		KIT PISTONE 2^ STADIO DIAM.60/38MM MCH16	2ND STAGE PISTON D.60/38MM MCH16 KIT
KIT4	1	16-02-0114/R	KIT PISTONE 2^ STADIO DIAM.60/38MM MCH16	2ND STAGE PISTON D.60/38MM MCH16 KIT
4.1	1		PISTONE 2^ STADIO DIAM.60/38MM MCH16	2ND STAGE PISTON D.60/38MM MCH16
4.2	4	16-02-0113	SERIE FASCE ELASTICHE D.38MM MCH16	2ND STAGE PISTON RINGS D.38MM MCH/16
4.3	2		SEEGER/ANELLO ELAST.SPIN.PIST.	SEEGER RETAINING RING
4.4	1		SPINOTTO 3° STADIO D.60,36MM	2ND STAGE PIN
4.5	1		PATTINO GUIDA 3^STADIO DIAM.	PUSHING PISTON 60MM. MCH13-16
5	4	13-00-0018	DADO ZINCATO M8 MEDIO	MIDDLE NUT M8 ZINC.
6	4	13-01-0008	TIRANTE PRIMO STADIO MCH13/16	FIRST STAGE TIE ROD MCH13/16
7	4	VITE0820	VITE T.C.E. ZINC. 8X20	T.C.E. ZINC. 8X20 SCREW
8	1	05-01-011	PIASTRA COPERTURA FORO Ø70,5 MCH-5 , BOOSTER	LOCKING PLATE HOLE D.70,5 MCH-5

1° STADIO - 1st STAGE

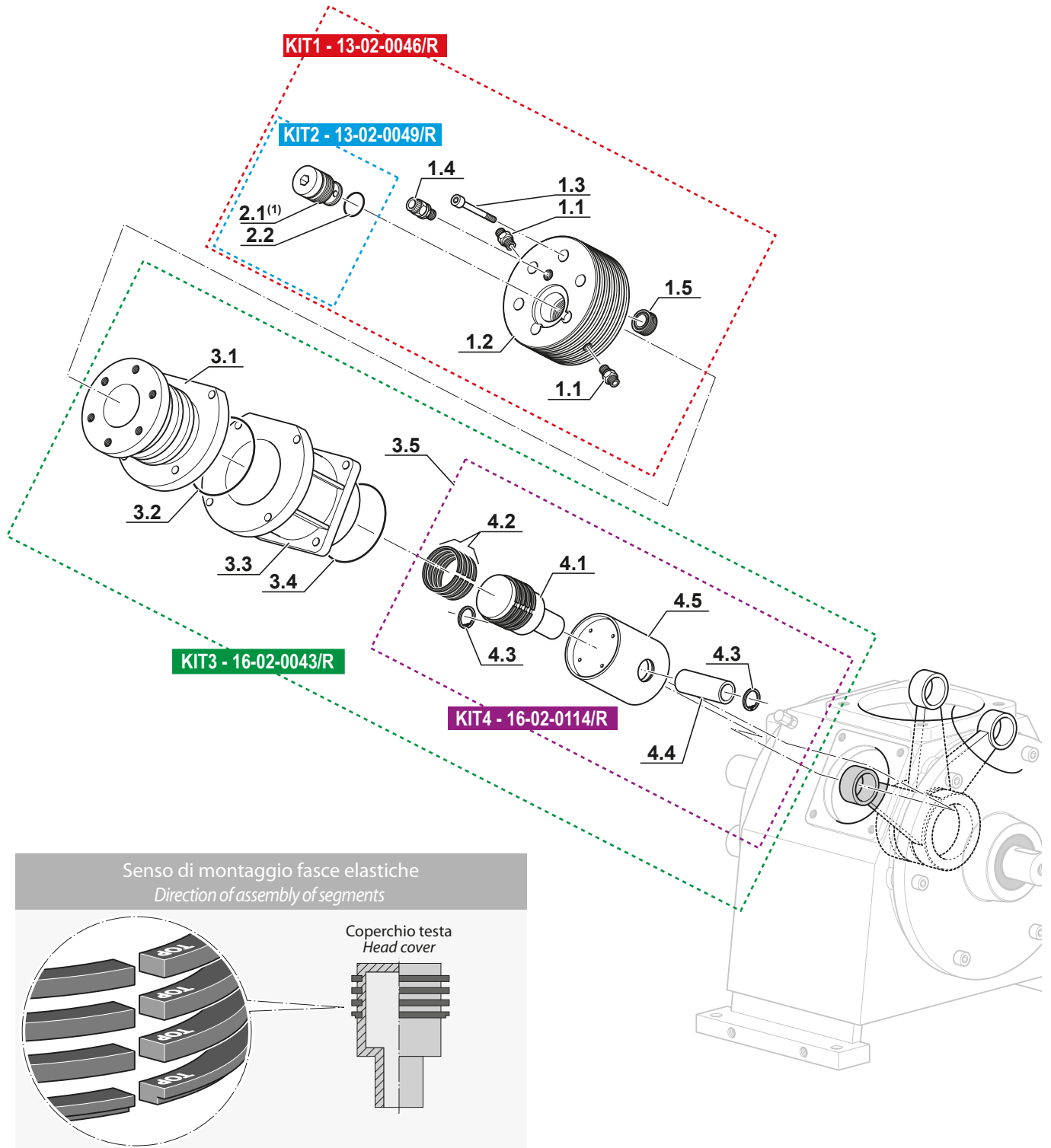


2.1⁽¹⁾ La valvola deve essere stretta con una coppia di serraggio di **65Nm** - The valve must be tightened with a torque of **65Nm**

2° STADIO - 2nd STAGE

Rif. Pos.	Q.tà Q.ty	Codice Code	Descrizione	Description
KIT1	1	13-02-0046/R	TESTA 2° STADIO COMPLETA DI VALVOLE E RACCORDI	2ND STAGE HEAD COMPLETE WITH FITTING-ALVE
1.1	2		RACCORDO DIRITTO 1/4 TUBO 10MM	LONG STRAIGHT 1/4 PIPE FITTING10MM.
1.2	1		TESTA 2° STADIO MCH13/16	SECOND STAGE HEAD MCH13/16
1.3	6		VITE T.C.E. ZINC. 8X30	SCREW 8X30 T.C.E. ZINC.
1.4	1		VALVOLA SICUREZZA PRIMO STADIO 10BAR VERDE	SAFETY VALVE 10 BAR
1.5	1	13-02-0044	VALVOLA ASPIRAZIONE INOX 2°STADIO	2ND STAGE SUCTION VALVE INOX
KIT2	1	13-02-0049/R	KIT VALV.SCAR. INOX 2° STAD. MCH13/16	2ND STAGE PRESSURE VALVE INOX MCH13/16 KIT
2.1	1		VALV.SCAR.2° STAD. MCH13/16	2ND STAGE PRESSURE VALVE ASS MCH13/16
2.2	1		O-RING 4087 VITON 90 (21.82X3.53)	O-RING 4087 (21,82X3,53) VITON 90
KIT3	1	16-02-0043/R	KIT CILINDRO SECONDO STADIO D.38MM MCH16	2ND STAGE CYLINDER D.38MM MCH16 KIT
3.1	1		CILINDRO SECONDO STADIO D.38MM MCH16	2ND STAGE CYLINDER D.38MM MCH16
3.2	1		O-RING 3237 NBR 90SH (60.00X2.62)	O-RING 3237 NBR 90SH 60X2,62
3.3	1		CILINDRO GUIDA 2° STAD. D.60MM	2ND STAGE 60MM. GUIDING CYLINDMCH13/16
3.4	1		O-RING 2275 NBR 90SH (69.57X1.78)	O-RING 2275 NBR 90SH 69,57X1,78
3.5	1		KIT PISTONE 2^ STADIO DIAM.60/38MM MCH16	2ND STAGE PISTON D.60/38MM MCH16 KIT
KIT4	1	16-02-0114/R	KIT PISTONE 2^ STADIO DIAM.60/38MM MCH16	2ND STAGE PISTON D.60/38MM MCH16 KIT
4.1	1		PISTONE 2^ STADIO DIAM.60/38MM MCH16	2ND STAGE PISTON D.60/38MM MCH16
4.2	4	16-02-0113	SERIE FASCE ELASTICHE D.38MM MCH16	2ND STAGE PISTON RINGS D.38MM MCH/16
4.3	2		SEEGER/ANELLO ELAST.SPIN.PIST.	SEEGER RETAINING RING
4.4	1		SPINOTTO 3° STADIO D.60,36MM	2ND STAGE PIN
4.5	1		PATTINO GUIDA 3^STADIO DIAM.	PUSHING PISTON 60MM. MCH13-16

2° STADIO - 2nd STAGE

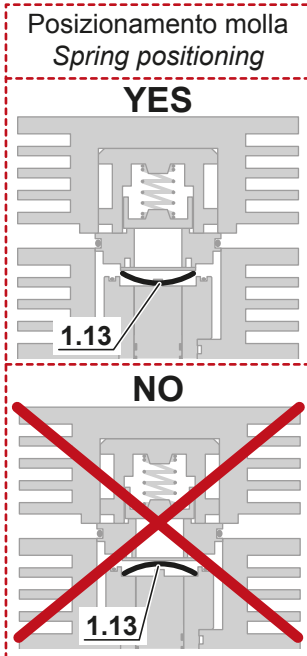


2.1⁽¹⁾ La valvola deve essere stretta con una coppia di serraggio di **65Nm** - The valve must be tightened with a torque of **65Nm**

3° STADIO - 3rd STAGE

Rif. Pos.	Q.tà Q.ty	Codice Code	Descrizione	Description
KIT1	1	13-03-0022-2/R	KIT TESTA NUOVA 3° STADIO MCH-13-16	3RD STAGE NEW HEAD MCH-13-16
1.1	1		PERNO GUIDA VALV. SC. 3°ST MCH-13-16 M16X1,5	SPINDLE SPRING VALVE 3RD STAGE
1.2	1		O-RING 2062 VITON 90 (15.60X1.78)	O-RING 2062 VITON 90 (15.60X1.78)
1.3	1		MOLLA INOX Ø11X8,6 L. 18,5 FILO 1,2 4° ST. MCH-36	INOX SPRING Ø11X8,6 L. 18,5 WIRE 1,2 4° ST. MCH-36
1.4	6		VITE T.C.E. ZINC. 8X45 DIN912	SCREW T.C.E. ZINC. 8X45 DIN912
1.5	1		TESTA NUOVA 3° STADIO MCH-13-16	KIT 3RD STAGE NEW HEAD MCH-13-16
1.6	1		RACC. 1/4 G TUBO 8 MM	1/4 G TUBE 8MM FITTING
1.7	3		RONDELLA 1/4 IN RAME	COPPER WASHER 1/4
1.8	1		RACCORDO 1/4 G -TUBO 6MM DIRITTO ERMETO	FITTING 1/4 G -PIPE 6MM ERMETO
1.9	1		O-RING 2100 VITON 90 (25.12X1.78)	O-RING 2100 VITON 90 (25.12X1.78)
1.10	1		PIATTELLO A STELLA VALV. SCARICO 3°ST MCH-13-16	STAR PLATE EXHAUST VALVE 3RD STAGE MCH-13-16
1.11	1		CORPO VALVOLA Ø15 3° STADIO MCH-13-16	BODY VALVE 3RD STAGE MCH-13-16
1.12	1		DISCO VALVOLA ASPIRAZIONE MCH36 (24X15,2X1)	DISC VALVE SUCTION MCH36 (24X15,2X1)
1.13	1		MOLLA 24X15,2 H.0,2 4° ST. MCH-36	SPRING 24X15,2 H.0,2 4° ST. MCH-36
KIT2	1	13-03-0122/R	KIT PISTONE 3° STADIO MCH13/16	PISTON 3RD ST.GE 14 MCH13/16 KIT
2.1	5		SEGMENTI 3^ STADIO Ø14 COD. 0001400000 S0	3°RD STAGE SEGMENTS Ø14 COD. 0001400000 S0
2.2	1		PISTONE 3° STADIO Ø14MM CON PIOLO ACC. AVP	PISTON 3RD ST.GE Ø14MM WITH PEG ACC. AVP
2.3	1		O-RING 2100 VITON 90 (25.12X1.78)	O-RING 2100 VITON 90 (25.12X1.78)
2.4	1		CIL. 3° STADIO Ø14MM MCH-13-16 VALV. ASP.	3RD STAGE CYL. Ø14MM MCH13/16 SUCTION VALVE
KIT3	1	13-03-0027/1/R	KIT SOSTITUZIONE NUOVA TESTA	NEW HEAD UPGRADE KIT
3.1	1	13-03-0022-2/R	KIT TESTA NUOVA 3° STADIO MCH-13-16	3RD STAGE NEW HEAD MCH-13-16
3.2	1	13-03-0122/R	KIT PISTONE 3° STADIO MCH13/16	PISTON 3RD ST.GE 14 MCH13/16 KIT
KIT4	1	13-03-0120/R	KIT PATTINO GUIDA 3^ STADIO Ø60	KIT PUSHING PISTON 3RD STAGE Ø60
4.1	1		PATTINO GUIDA 3^STADIO Ø60	PUSHING PISTON 3RD STAGE Ø60
4.2	1		SPINOTTO 3° STADIO D.60,36MM	2ND STAGE PIN
4.3	2		SEEGER/ANELLO ELAST.SPIN.PIST.	SEEGER RETAINING RING
4.4	1		RACCORDO 90° 1/8 NPT	FITTING 90° 1/8 NPT
4.5	1		TUBO VISUALIZZAZIONE LUBRIFIC.	OIL LEVEL INDICATOR
4.6	1		RACC.DIAM. 8 1/8 PER TUBO RILS	CONNECTION .DIAM. 8 1/8 FOR RILS TUBE
4.7	1		CILINDRO INFER. PATTINO GUIDA 60MM 3°ST	LOWER 3RD STAGE 60MM. GUIDING CYLINDER
4.8	1		O-RING 2275 NBR90SH (69.57X1.78)	O-RING 2275 NBR 90SH 69,57X1,78
4.9	1		CILINDRO GUIDA 3°STADIO MCH-13-16 ALLUMINIO	3RD STAGE GUIDING CYLINDER MCH13-16 ALUMINUM
4.10	1		O-RING 3237 NBR90SH (60.00X2.62)	O-RING 3237 NBR 90SH 60X2,62
KIT5	1	13-03-0022/15/R	KIT VALVOLA NUOVA TESTA 3°STADIO	SERVICE KIT 3RD STAGE VALVES G3
5.1	1		O-RING 2062 VITON 90 (15.60X1.78)	O-RING 2062 VITON 90 (15.60X1.78)
5.2	1		MOLLA INOX Ø11X8,6 L. 18,5 FILO 1,2 4° ST. MCH-36	INOX SPRING Ø11X8,6 L. 18,5 WIRE 1,2 4° ST. MCH-36
5.3	1		RONDELLA 1/4 IN RAME	COPPER WASHER 1/4
5.4	1		PIATTELLO A STELLA VALV. SCARICO 3°ST MCH-13-16	STAR PLATE EXHAUST VALVE 3RD STAGE MCH-13-16
5.5	1		CORPO VALVOLA Ø15 3° STADIO MCH-13-16	BODY VALVE 3RD STAGE MCH-13-16
5.6	1		O-RING 2100 VITON 90 (25.12X1.78)	O-RING 2100 VITON 90 (25.12X1.78)
5.7	1		DISCO VALVOLA ASPIRAZIONE MCH36 (24X15,2X1)	DISC VALVE SUCTION MCH36 (24X15,2X1)
5.8	1		MOLLA 24X15,2 H.0,2 4° ST. MCH-36	SPRING 24X15,2 H.0,2 4° ST. MCH-36
5.9	1		O-RING 2100 VITON 90 (25.12X1.78)	O-RING 2100 VITON 90 (25.12X1.78)
5.10	1		PERNO GUIDA VALV. SC. 3°ST MCH-13-16 M16X1,5	SPINDLE SPRING VALVE 3RD STAGE

3° STADIO - 3rd STAGE

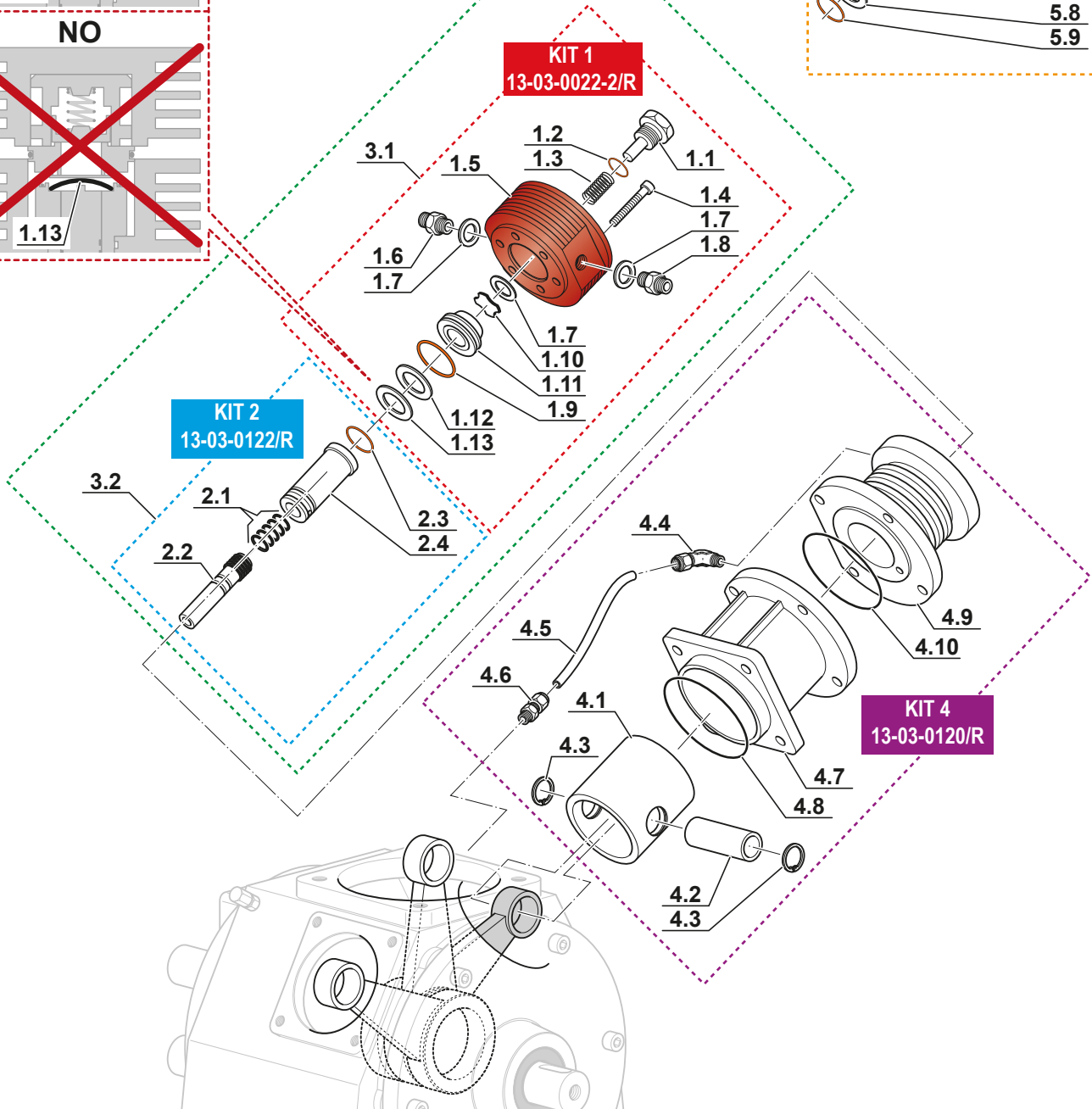


KIT3 - 13-03-0027/1/R
Kit sostituzione nuova testa
New head upgrade kit

KIT 1
13-03-0022-2/R

KIT 2
13-03-0122/R

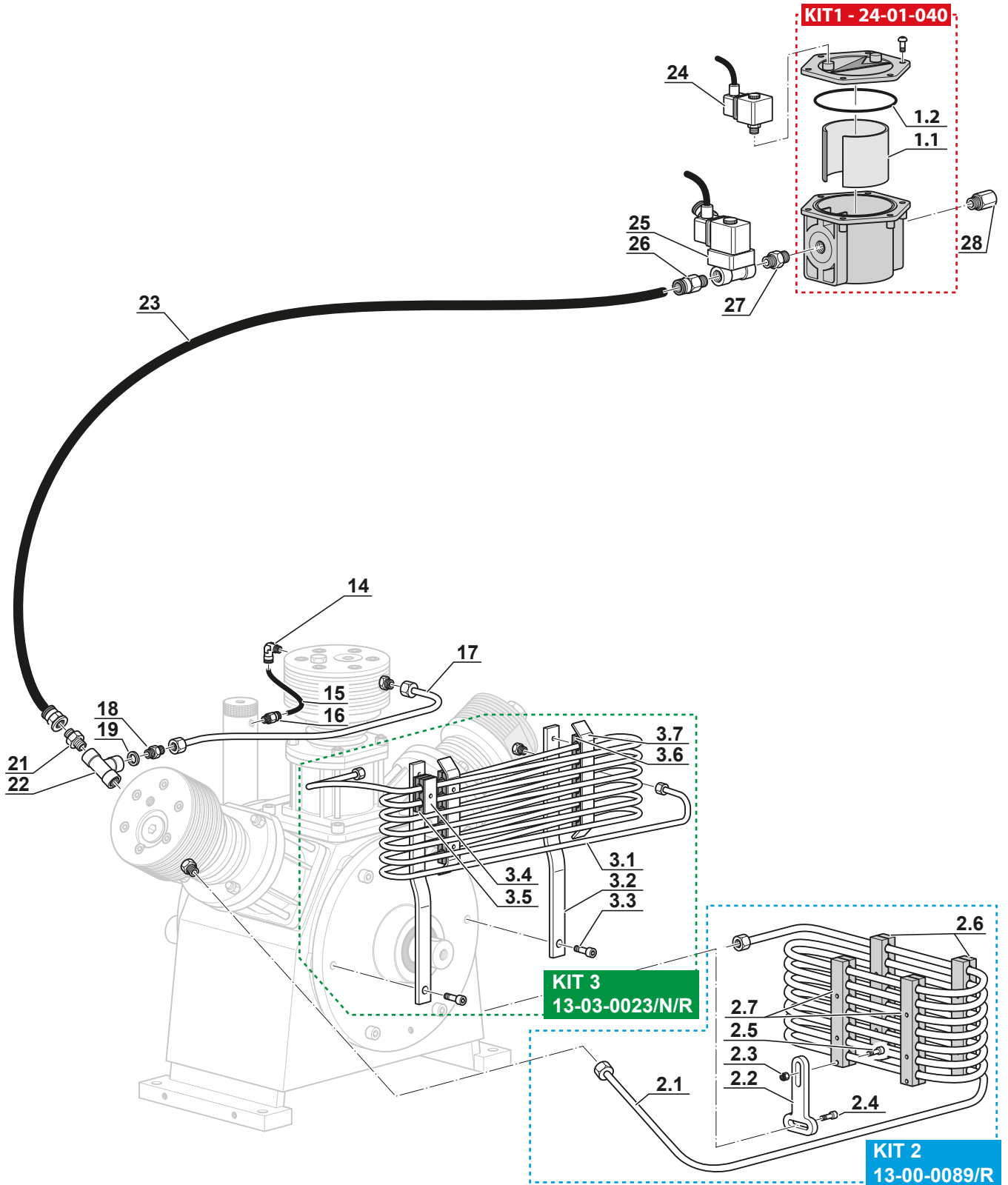
KIT 4
13-03-0120/R



CIRCUITO DI PRESSIONE - PRESSURE CIRCUIT

Rif. Pos.	Q.tà Q.ty	Codice Code	Descrizione	Description
KIT1	1	24-01-040	FILTRO GAS X MCH24/30 1"	GAS FILTER 1" MCH24/30
1.1	1	05-01-040/C	CARTUCCIA FILTRO GAS X MCH5/10/24	GAS FILTER CARTRIDGE MCH-5-10-24
1.2	1	05-01-040/O	OR CARTUCCIA FILTRO GAS X MCH5/10/24	GAS FILTER CARTRIDGE O-RING MCH-5-10-24
KIT2	1	13-00-0089/R	KIT TUBO RAFFREDDAMENTO 10MM 2°-3°ST.	2ND-1ST STAGE 10MM COOLING PIPE KIT
2.1	1		TUBO RAFFR.10MM 2°/3°ST. (F)	2ND-3RD STAGE 10MM COOLING PIPE KIT
2.2	2		STAFFA PORTATUBO ZINC. 75X15MM	PIPE HOLDING BRACKET 75X15MM. MCH13/16
2.3	2		DADO ZINCATO AUTOBLOC. M6 ALTO	SELF LOCKING NUT M6 HIGH
2.4	2		VITE T.C.E. ZINC. 6X20 DIN912	SCREW T.C.E. ZINC. 6X20 DIN912
2.5	2		VITE 6X35 T.C.E. ZINC. DIN 912	SCREW 6X35 T.C.E. ZINC. DIN 912
2.6	4		SEMISTAFFA FERMATUBO D.10 2 FORI 8 SEDI	2 HOLE PIPE-HOLDING BRACKET
2.7	4		SEMISTAFFA FERMATUBO D.10 3 FORI 7 SEDI	3 HOLE PIPE-HOLDING BRACKET
KIT3	1	13-03-0023/N/R	KIT TUBO RAFFREDDAMENTO 6MM 3°-SEPARATORE	3RD-SEPARATOR 6MM COOLING PIPE KIT
3.1	1		TUBO RAFFREDAM.TO DIAM. 6 (C)	6MM COOLING PIPE 3RD-SEPARATOR
3.2	2		STAFFA PORTATUBO 6 MM	TUBE CLAMP 6 MM SEPARATOR-4TH STAGE
3.3	2		VITE T.C.E. ZINCATA 8X30	SCREW T.C.E. ZINCATA 8X30
3.4	2		STAFFA SINGOLA PORTATUBO 3MM	SINGLE 6MM. PIPE-HOLDING BRACKET MCH13/16
3.5	2		GOMM ANTIVIBR 2 FORI TUBO DA 6	ANTI VIBRATION BLOCK TUBE6 2 HOLE
3.6	8		ANTIVIBRANTE 7 FORI Ø6 PORTATUBO - 4 PEZZI	ANTI VIBRATION BLOCK TUBE6 7 HOLE - 4 PIECES
3.7	2		STAFFA DOPPIA PORTATUBO 6MM	DOUBLE 6MM. PIPE-HOLDING BRACKET MCH13/16
14	1	13-00-0021	RACCORDO 90° 1/8 NPT	FITTING 90° 1/8 NPT
15	1	13-00-0019	TUBO VISUALIZZAZIONE LUBRIFIC.	OIL LEVEL INDICATOR
16	1	RACC0818R	RACC.DIAM. 8 1/8 PER TUBO RILS	CONNECTION .DIAM. 8 1/8 FOR RILS TUBE
17	1	05-01-0101/P	TUBO DI SERVIZIO D8 DAL 1° ST. AL 2° ST	COOLING TUBE DIAM8 1ST - 2ND ST. BOOSTER
18	1	13-00-0175E	RACC. 1/4 G TUBO 8 MM	1/4 G TUBE 8MM FITTING
19	1	GUAR1319	RONDELLA 1/4 IN RAME	RONDELLA 1/4 IN RAME
21	1	05-04-0102	NIPPLO 3/8-1/2	FITTING 3/8-1/2
22	1	RAC/1/4/T	RACCORDO A "T" FFF 1/4	FITTING "T" FFF 1/4
23	1	TUBRILSAN8X6/800	TUBO RILSAN 8x6 MM 800	RILSAN HOSE 8x6 MM 800
24	1	05-01-051	PRESSOSTATO KR61 (1-15 BAR)	PRESSURE SWITCH KR61 (1-15 BAR)
25	1	05-01-050	ELETTRO BOOSTER 230V 50HZ	SOLENOID VALVE FOR BOOSTER 230V 50HZ
26	1	05-04-0102	NIPPLO 3/8-1/2	FITTING 3/8-1/2
27	1	05-04-0517	NIPPLO 3/4 1/2	FITTING 3/4-1/2
28	1	NIPPLO/25303/41/2	NIPPLO 2530 3/4M 1/2F	FITTING 2530 3/4M 1/2F

CIRCUITO DI PRESSIONE - PRESSURE CIRCUIT

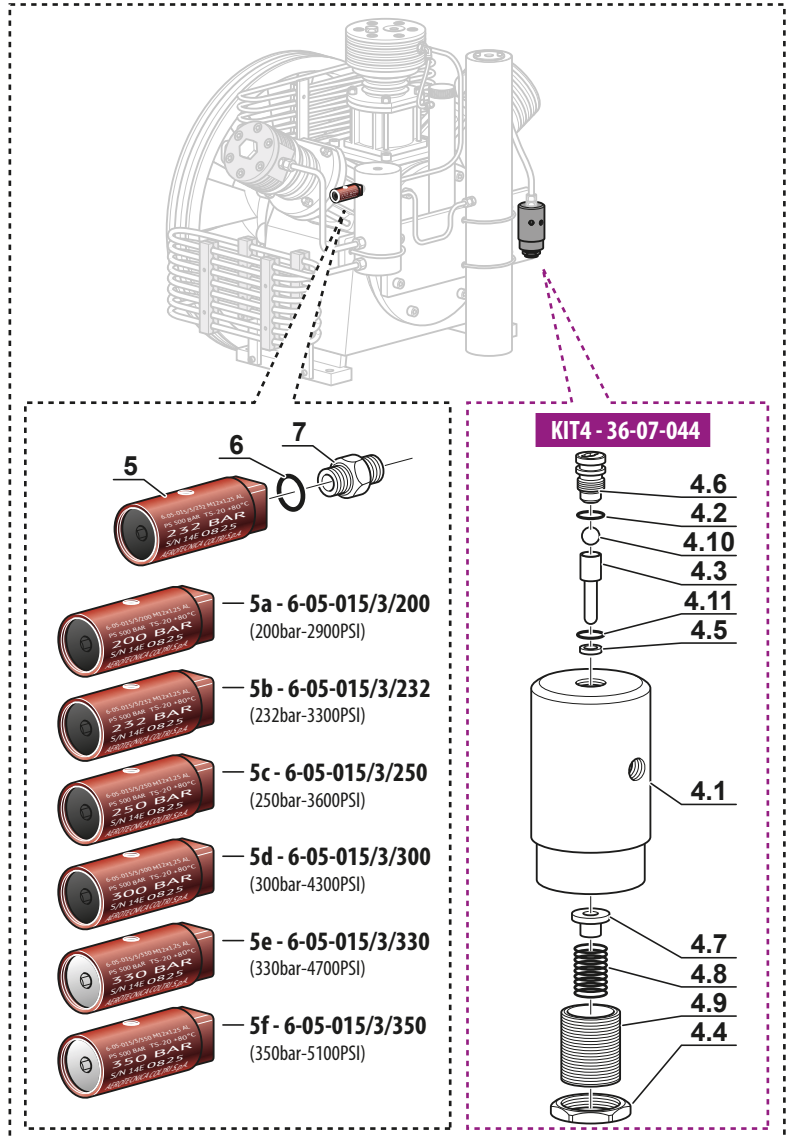
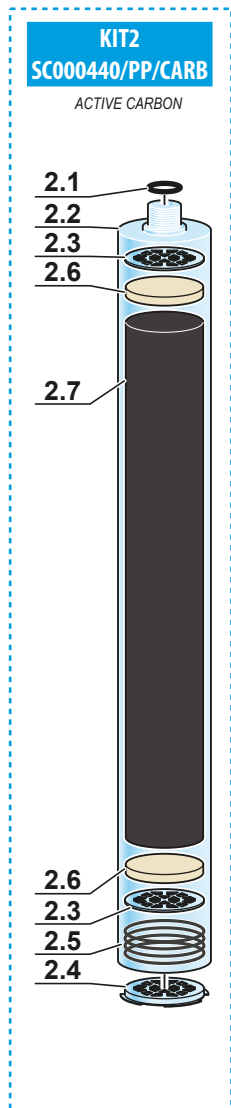
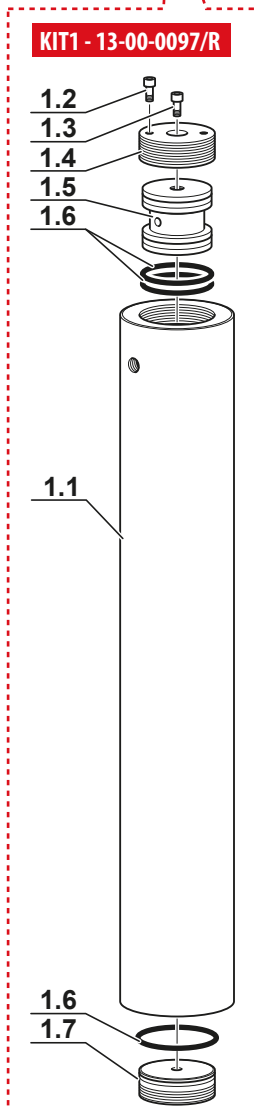
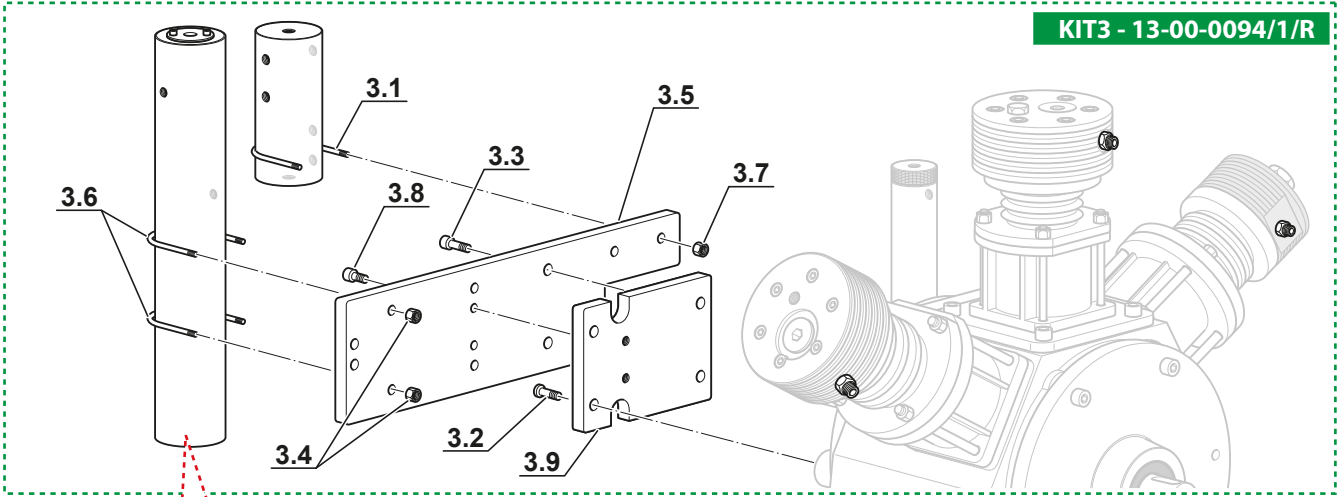


13⁽¹⁾ La valvola deve essere stretta con una coppia di serraggio di 20Nm - The valve must be tightened with a torque of 20Nm

SUPPORTI / FILTRI / VALVOLE - SUPPORTS / FILTERS / VALVES

Rif. Pos.	Q.tà Q.ty	Codice Code	Descrizione	Description
KIT1a	1	13-00-0097/R	KIT MAXIFILTRO	MAXIFILTER KIT
KIT1b	1	13-00-0097/SS/R	KIT MAXIFILTRO SILENT	SILENT MAXIFILTER KIT
1.1a	1		CORPO MAXI FILTRO	MAXI FILTER BODY
1.1b	1		CORPO MAXI FILTRO PER SUPER SILENT EVO	MAXI FILTER BODY FOR SUPER SILENT EVO
1.2	2		VITE T.C.E. INOX 8X12 DIN 912	T.C.E. INOX 8X12 SCREW
1.3	1		VITE T.C.E. INOX 8X30 DIN912	SCREW T.C.E. INOX 8X30
1.4	1		TAPPO SUPERIORE FILTRO	UPPER FILTER CAP
1.5	1		TAPPO INTERNO FILTRO	INTERNAL FILTER CAP
1.6	3	13-00-0155	O-RING 6162 NBR90 (40.65X5,33)	O-R CAP FILTER
1.7	1		TAPPO INFERIORE FILTRO MCH 13/16	LOWER FILTER CAP
KIT2a	1	SC000440/PP	CARTUCCIA MAXIFILTER CARB. ATT./SET. MOL.	MAXIFILTER A. CARBON /M. SIEVE CARTRIDGE
KIT2b	1	SC000440/PP/SM	CARTUCCIA MAXIFILTER SETACCIO MOLECOLARE	MAXIFILTER MOLECULAR SIEVE CARTRIDGE
KIT2c	1	SC000440/PP/CARB	CARTUCCIA MAXIFILTER CARBONE ATTIVO	MAXIFILTER ACTIVE CARBON CARTRIDGE
KIT2d	1	SC000440/PP/CO-CATALYST	CARTUCCIA MAXIFILTER CARB./SET./HOPKALITE	MAXIFILTER CARBON/SIEVE/HOPKALITE CARTRIDGE
2.1	1		O-RING 3050 NBR 90SH(12.37X2.62)	O-RING 3050 NBR 90SH(12.37X2.62)
2.2	1		CORPO CARTUCCIA MAXIFILTER PP	CATRIDGE MAXIFILTER BODY PP
2.3	2		DISCO FORATO PP Ø39MM	PERFORATED DISK PP Ø39MM
2.4	1		TAPPO CARTUCCIA MAXIFILTER PP	CARTRIDGE CAP MAXIFILTER PP
2.5	3		MOLLA MAXIFILTER	MAXIFILTER SPRING
2.6	3		DISCO FELTRO DIAMETRO 40MM	FELT DISK DIAM.40 MM.
2.7	1	SC000350	CARBONE ATTIVO GRANULARE	ACTIVE CARBON
2.8	1	SC000380	SETACCIO MOLECOLARE	MOLECULAR SIEVE
2.9	1	SC000355	FISSATORE MONOSSIDO DI CARBONIO 814	CO CATALYST MOLECULITE 814
KIT3	1	13-00-0094/1/R	KIT PIASTRA PORTAFILTRI MCH13/16 ZINCA. CON BECCO	KIT HOLD-FILTERS PLATE MCH13/16
3.1	1		STAFFA PORTASEPARATORE	SEPARATOR CLAMP
3.2	2		VITE T.C.E. ZINC. 8x25 TESTA BASSA	SCREW T.C.E. ZINC. 8x25 REDUCED HEAD
3.3	2		VITE T.C.E. ZINC. 8X40	SCREW T.C.E.ZINC. 8x40
3.4	4		DADO ZINCATO M8 MEDIO	MIDDLE NUT M8 ZINC.
3.5	1		PIASTRA PORTAFILTRI MCH13/16 ZINCA. CON BECCO	HOLD-FILTERS PLATE MCH13/16
3.6	2		STAFFA PORTAFILTRO MCH13-16	FILTER HOLDING BRACKET MCH13/16
3.7	2		DADO ZINCATO AUTOBLOC. M8 ALTO	8MM SELF-LOCKING NUT
3.8	2		VITE T.C.E. ZINC. 8X20	SCREW T.C.E.ZINC. 8x20
3.9	1		CONTROPIASTRA PORTAFILTRO MCH13-16	COUNTER FILTERS PLATE MCH13/16
KIT4	1	36-07-044	VALVOLA DI MANTENIMENTO 1/4	MANTAINING PRESSURE VALVE 1/4
4.1	1		CORPO VALV. MANTENIMENTO 1/4NPT	MAINTENANCE VALVE BODY 1/4 NPT
4.2	2		O RING 2015 NBR 90 (3,69X1,78)	O RING 2015 NBR 90 (3,69X1,78)
4.3	1		PISTONE VALVOLA MANTENIMENTO MCH 13/16	MAINTENANCE VALVE PISTON MCH13/16
4.4	1		DADO VALV. MANT. PRESSIONE ALL. M20X1,5	VMP NUT M20X1,5
4.5	1		RONDELLA TEFLON PER PISTONE VMP	TEFLON RING VMP PISTON
4.6	1		VITE VALVOLA MANTENIMENTO MCH 13/16	MAINTENANCE VALVE SCREW MCH13/16
4.7	1		DISTANZIALE MOLLA PISTONE VPM	VMP PISTON SCREW SPACER
4.8	1		MOLLA VALVOLA SICUREZZA	SAFETY VALVE SPRING
4.9	1		CAPPUCCIO VALVOLA MANT.PRESS. ALL.	VMP CAP
4.10	1		SFERA ACCIAIO INOX Ø6 VMP	STAINLESS STEEL BALL Ø6 VMP
4.11	1		O RING 2031 NBR 90 (7,65x1,78)	O RING 2031 NBR 90 (7,65x1,78)
5a	1	6-05-015/3/2200	VALVOLA DI SICUREZZA 200 BAR	SAFETY VALVE 200 BAR
5b	1	6-05-015/3/232	VALVOLA DI SICUREZZA 232 BAR	SAFETY VALVE 232 BAR
5c	1	6-05-015/3/250	VALVOLA DI SICUREZZA 250 BAR	SAFETY VALVE 250 BAR
5d	1	6-05-015/3/300	VALVOLA DI SICUREZZA 300 BAR	SAFETY VALVE 300 BAR
5e	1	6-05-015/3/330	VALVOLA DI SICUREZZA 330 BAR	SAFETY VALVE 330 BAR
5f	1	6-05-015/3/350	VALVOLA DI SICUREZZA 350 BAR	SAFETY VALVE 350 BAR
6	1	OR-114/90	O-RING 114 NBR 90	O-RING 114 NBR 90
7	1	6-05-015H/N	RACC. VALVOLA SICUREZZA 1/8NPT-M12 PASSO 1,25	SAFETY VALVE FITTING 1/8NPT-M12X1,25

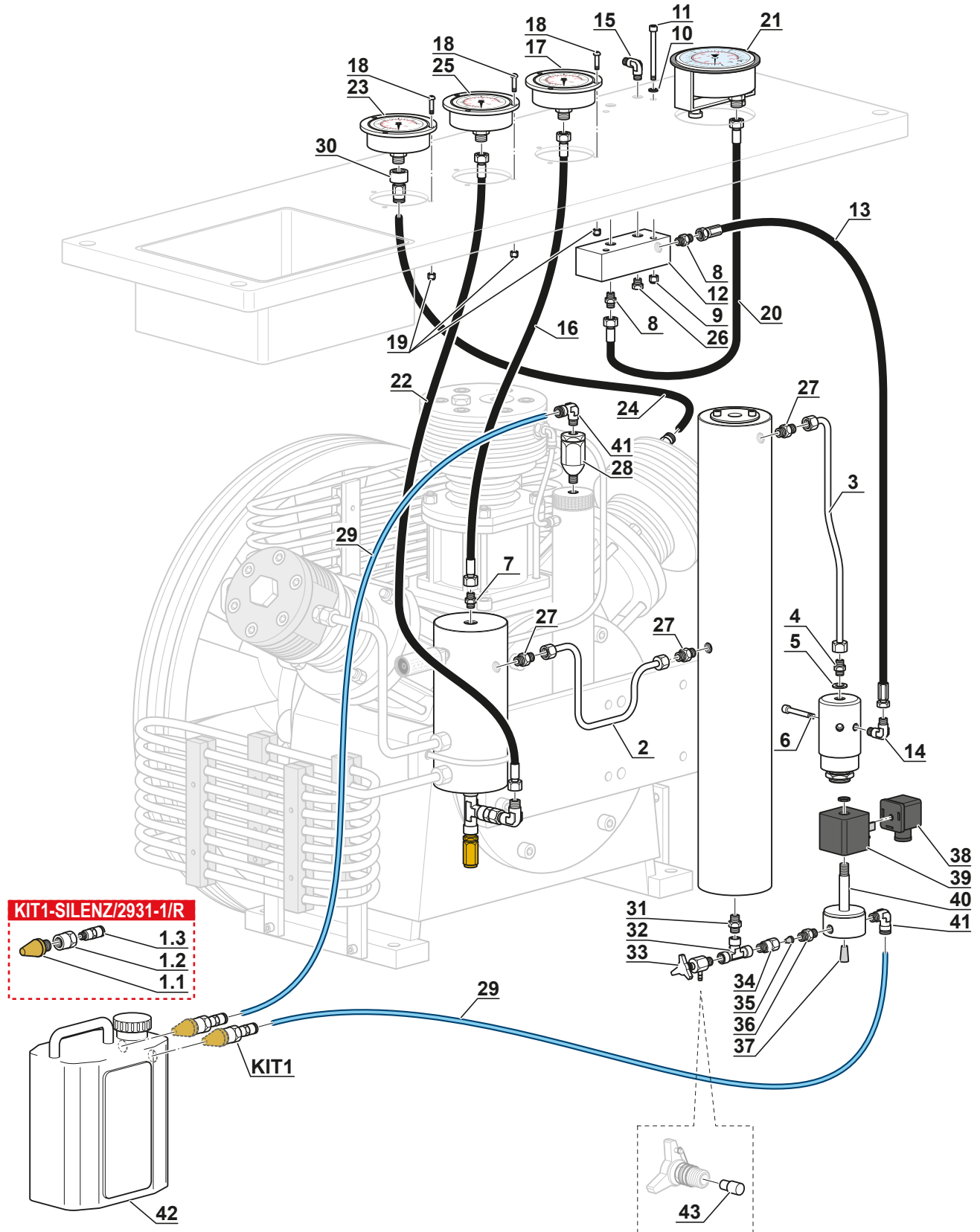
SUPPORTI / FILTRI / VALVOLE - SUPPORTS / FILTERS / VALVES



CIRCUITI DI FILTRAZIONE E SCARICO CONDENZA - FILTERING AND CONDENSATE DISCHARGE CIRCUITS

Rif. Pos.	Q.tà Q.ty	Codice Code	Descrizione	Description
KIT1	1	SILENZ/2931-1/R	KIT SILENZIATORE PER TANICA 1 TUBO	KIT SILENCER FOR TANK 1 PIPE
1.1	1		SILENZIATORE 2931 3/8 F	2931 3/8 F SILENCER
1.2	1		RACCORDO 2553 1/8 3/8	2553 1/8 3/8 FITTING
1.3	1		RACC. DIRITTO MASCHIO CON OR 1/8M TUBO 6	FITTING WITH OR E2L01007 1/8M TUBE 6
2	1	TUBO/MCH13/B/N/P	TUBO COLLEGAM. FILTRO/SEP.	SEPARATOR-FILTER TUBE CONNECTION
3	1	13-04-0320/P	TUBO COLLEG. FIL.VALV.MANT.(A)	FILTER-VMP TUBE CONNECTION MCH13/16
4	1	13-00-0025E	RACCORDO 1/4 G -TUBO 6MM DIRITTO ERMETO	FITTING 1/4 G -TUBO 6MM ERMETO
5	1	GUAR1319	RONDELLA 1/4 IN RAME	COPPER WASHER 1/4
6	2	13-00-0084	VITE 6X15 T.C.E. ZINC.	SCREW 6X15 T.C.E. ZINC.
7	1	13-00-0025	RACCORDO 1/4 NPT -TUBO 6MM DIRITTO 7/16	STRAIGHT FITTING 1/4 TUBE 6MM 7/16
8	2	13-00-0025	RACCORDO 1/4NPT - 7/16 TUBO6	FITTING 1/4NPT - 7/16 PIPE6
9	2	13-00-0137	DADO ZINCATO AUTOBLOC. M6 ALTO	SELF LOCKING NUT M6 HIGH
10	4	RON6I	RONDELLA PIANA M6 INOX DIN125	FLAT WASHER M6 INOX DIN125
11	2	VITE0645I	VITE T.C.E. INOX 6X45	SCREW T.C.E. INOX 6X45
12	1	13-04-0217	BLOCCETTO ALLUMINIO RAMPA DI RICARICA	RECHARGE ALUMINIUM BLOCK
13	1	13-04-0285/AIR	TUBO HP R8 800MM AIR	HP R8 800MM AIR TUBE
14	1	13-00-0144	RACCORDO 90° 1/8 - 7/16 TUBO 6MM	FITTING 90° 1/8 - TUBO 6MM
15	2	36-07-008	RACCORDO 90° 1/4NPT - 7/16 TUBO6	FITTING 90° 1/4NPT - 7/16 PIPE6
16	1	13-04-0213	MICROTUBO 1/4-7/16 400MM	MICRO-HOSE 1/4-7/16 400MM
17	1	13-04-0211	MANOMETRO 0-500BAR CON FLANGIA	MANOMETER 0-500BAR W/FLANGE
18	3	36-07-006	VITE TCEI M3X10 INOX MCH36	SCREW TCEI M3X10 INOX MCH36
19	9	DA003I	DADO INOX AUTOBLOC. M3	SELF LOCKING NUT M3 INOX
20	1	36-05-00240	MICROTUBO 1/4-7/16 L.300 MM	MICRO-HOSE 1/4-7/16 300MM
21	1	SC000315	PRESSOSTATO CON MICRO 330BAR	PRESSURE SWITCH MICRO 330BAR
22	1	13-04-0214	MICROTUBO 1/4-7/16 600MM	MICRO-HOSE 1/4-7/16 600MM
23	1	13-05-0120	MAN.0-16 BAR/PSI CON FLANGIA	FLANGED PRESSURE GAUGE 0-16 BAR/PSI
24	0,4m	TUBRILSAN6X4/N	TUBO RILSAN NERO 6X4 PER ALTE TEMPERATURE	BLACK RILSAN HOSE 6X4 HIGHT TEMPERATURE
25	1	13-05-0130	MAN.0-100 BAR/PSI CON FLANGIA	FLANGED PRESSURE GAUGE 0-100 BAR/PSI
26	1	6-00-028	TAPPO SCARICO OLIO MCH-6	DISCHARGE OIL PLUG
27	3	13-00-0174E	RACCORDO 1/8 NPT TUBO 6MM	FITTING 1/8 NPT TUBE 6 MM
28	1	SC000492	VALVOLA DI NON RITORNO	NON-RETURN VALVE
29	0,5m	TUBRILSAN6X4	TUBO RILSAN 6X4	RILSAN HOSE 6X4
30	1	RACC/E2L35F08	RACC. T FEMMINA GIREVOLE 1/4 F TUBE 6	T FITTING 1/4 F TUBE 6
31	1	13-04-0225	RACCORDO M-M	FITTING M-M
32	1	RAC/1/8/T	RACCORDO A 'T' FFF 1/8 GAS	FITTING 'T' FFF 1/8 GAS
33	1	13-00-0161/R	KIT RUBINETTO SCARICO CONDENZA 1/8 NPT	CONDENSATE DISCHARGE BODY VALVE 1/8 NPT KIT
34	1	6-00-028P	PROLUNGA TAPPO SCARICO OLIO	OIL DRAIN TUBE
35	1	RE/010288021015	FILTRO CONICO DIN	CONE FILTER DIN
36	1	36-06-008	RACCORDO G 1/4-1/8 NPT MCH36	FITTING 1/4GAS 1/8NPT
37	1	ELET/E.V.SPILLO	SPILLO CONICO IN NYLON	NYLON CONICAL PIN
38	1	13-04-0221/C	CONNETTORE QUADRATO	SQUARE CONNECTOR
39	1	13-04-0221/B	BOBINA PER ELETTR2 VIE NC 1/4' NBR D.2 V.220/50-60	SOLENOID COIL ELETTR2 VIE V.220/50-60
40	1	13-04-0222	ELETTROV. HP SCARICO COND2 VIE 220/50	CONDENSATE DISCHARGE SOLENOID VALVE
41	2	RAC1500-6/4-1/4	RACCORDO 90° 1500 6/4 1/4	FITTING 90° 1500 6/4 1/4
42	1	TAN/80/5-2L	TANICA SC 5L 2 FORI 18MM LATERALI	SC TANK 5L 2HOLE 18MM SIDE
43	1	13-00-0162/N	NYLON SCARICO CONDENZA	CONDENSATE DISCHARGE NYLON

CIRCUITI DI FILTRAZIONE E SCARICO CONDENSA - FILTERING AND CONDENSATE DISCHARGE CIRCUITS



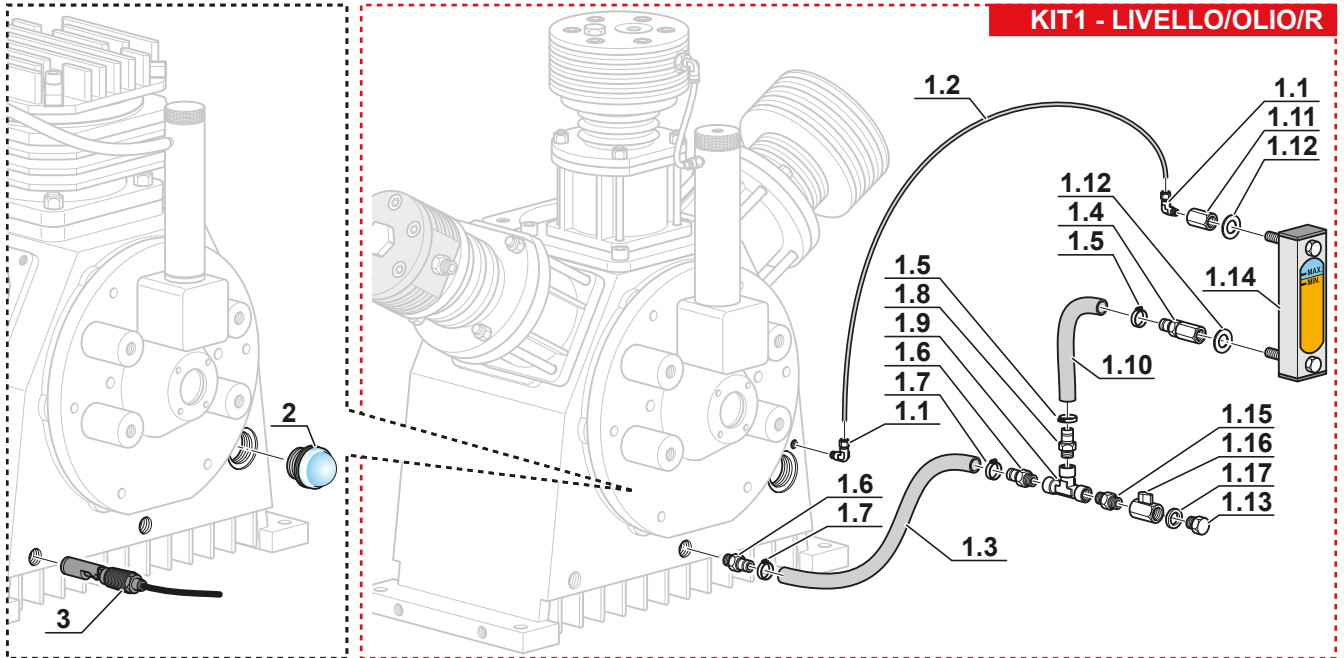
LIVELLO OLIO - OIL LEVEL

Rif. Pos.	Q.tà Q.ty	Codice Code	Descrizione	Description
KIT1	1	LIVELLO/OLIO/R	KIT LIVELLO OLIO MCH-13-16	KIT OIL LEVEL MCH-13-16
1.1	2		RACCORDO 90° 1/8 NPT	FITTING 90° 1/8 NPT
1.2	0		TUBO CONTROLLO LIVELLO OLIO	OIL LEVEL CHECK TUBE MCH13/16
1.3	0		TUBO SCARICO OLIO MCH13/16 COMPACT	OIL DRAIN TUBE MCH13/16 COMPACT
1.4	1		RACCORDO INFER. LIVELLO OLIO	LOWER OIL LEVEL FITTING
1.5	2		FASCETTA STRING. 2 D10/18	CLAMP 2 D10/18
1.6	2		RACCORDO G1/2 M. - PORTAGOMMA	FITTING G1/2 M.
1.7	4		FASCETTA STRING. 3B D.17/29	CLAMP 3B D.17/29
1.8	2		RACCORDO 1/2 PORTATUBO	1/2 CARRIER FITTING
1.9	1		RACCORDO A T 1/2" F	T FITTING 1/2" F
1.10	0		TUBO LIVELLO OLIO	OIL LEVEL TUBE
1.11	2		RACCORDO SUP. LIVELLO OLIO	OIL LEVEL UPPER FITTING
1.12	2		GUARNIZIONE LIVEL.OLIO 10X20X3	10X20X3 OIL LEVEL GASKET
1.13	1		TAPPO 1/2" SCARICO OLIO	OIL DRAIN PLUG 1/2"
1.14	1		LIVELLO OLIO PER MCH-13-16	OIL LEVEL FOR MCH-13-16
1.15	1		RACCORDO M-M 1/2"	FITTING M-M 1/2"
1.16	1		RUBINETTO SCARICO OLIO MCH13/16	OIL DRAIN VALVE MCH13/16
1.17	1		GUARNIZIONE RAME 21,5X28X1,5	COPPER GASKET 21,5X28X1,5
2	1	13-00-0068	VISORE LIVELLO OLIO CON GUARNIZIONE	OIL LEVEL VIEWER WITH GASKET
3	1	SC000334	SENSORE LIVELLO OLIO	OIL LEVEL SWITCH

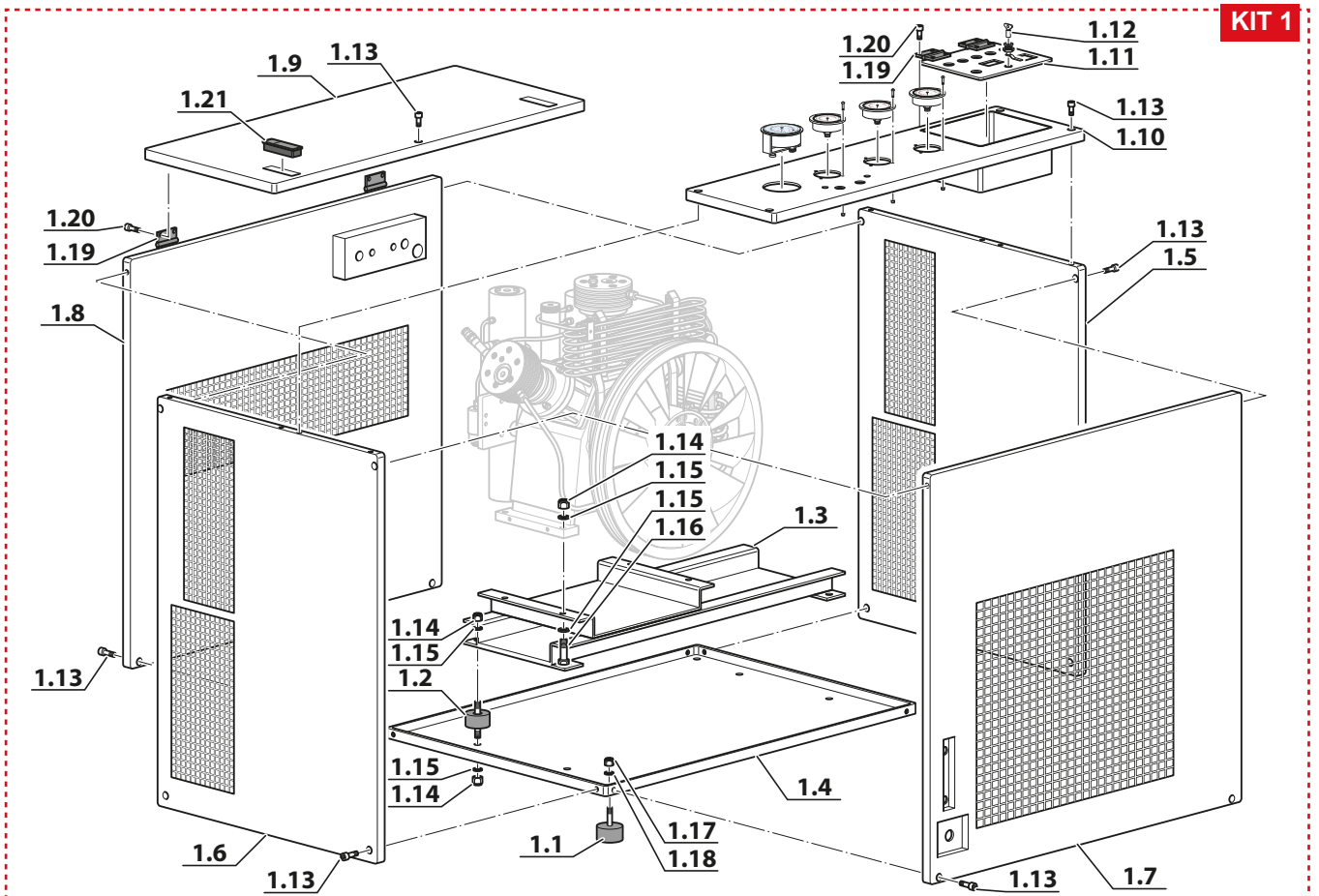
TELAIO - FRAME

Rif. Pos.	Q.tà Q.ty	Codice Code	Descrizione	Description
KIT1	1	SC1316/COMP/EV/G	TELAIO COMPACT EVO	FRAME COMPACT EVO
1.1	4		PIEDINO IN GOMMA (50x30)	RUBBER FOOT (50x30)
1.2	4		ANTIVIBRANTE	VIBRATION DAMPER
1.3	1		TELAIO	CHASSIS
1.4	1		CARTER	COVER
1.5	1		PANNELLO DESTRO	RIGHT PANNEL
1.6	1		PANNELLO SINISTRO	LEFT PANNEL
1.7	1		PANNELLO ANTERIORE	FRONT PANNEL
1.8	1		PANNELLO POSTERIORE	REAR PANNEL
1.9	1		PANNELLO SUPERIORE	UPPER PANNEL
1.10	1		PANNELLO COMANDO COMPACT EVO	CONTROL PANNEL COMPACT EVO
1.11	1		PANNELLO ELETTRICO COMPACT EVO	ELECTRICAL PANNEL COMPACT EVO
1.12	1		SERRATURA	LOCK
1.13	17		VITE T.C.E. ZINC. 6X30 DIN912	SCREW T.C.E. ZINC. 6X30 DIN912
1.14	12		DADO ZINCATO AUTOBLOC. M8	NUT ZINC. AUTOBLOC. M8
1.15	20		RONDELLA PIANA ZINCATA M8	WASHER PLANT ZINC. M8
1.16	4		VITE T.C.E. ZINC. 8X35	SCREW T.C.E. ZINC. 8X35
1.17	4		DADO ZINCATO AUTOBL. M10 ALTO DIN982	NUT ZINC. AUTOBLOC. M10
1.18	4		RONDELLA PIANA M10 ZINCATA DIN 125	WASHER PLANT ZINC. M10
1.19	4		CERNIERA NERA	HINGE
1.20	16		VITE INOX 5X16 TESTA SVASATATAGLIO CROCE	SCREW
1.21	2		SERRATURA NERA	LOCK

LIVELLO OLIO - OIL LEVEL



TELAIO - FRAME

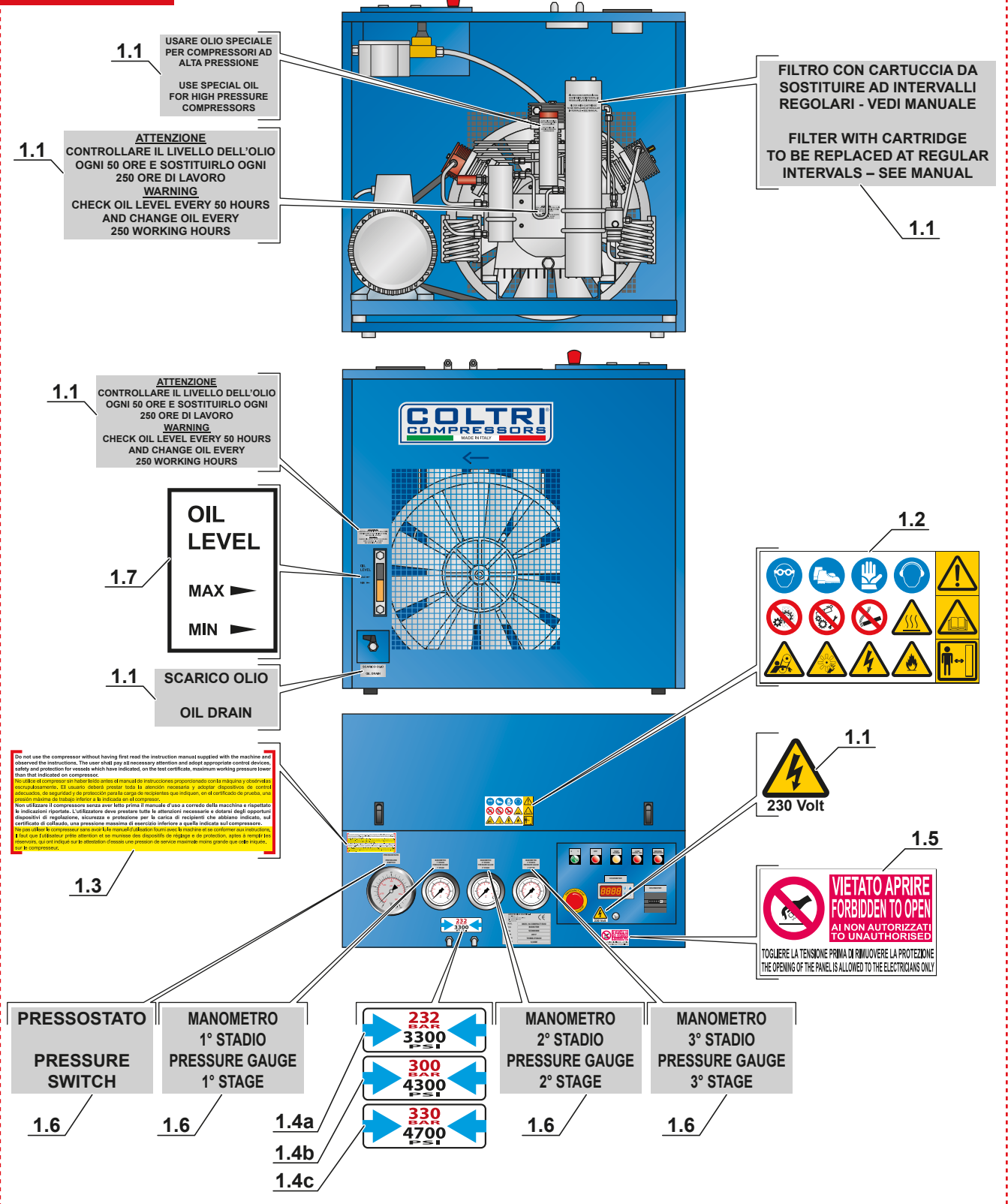


TARGHETTE DI SICUREZZA - SAFETY INFO LABEL

Rif. Pos.	Q.tà Q.ty	Codice Code	Descrizione	Description
KIT1	1	13-10-0003/R	KIT TARGHETTE DI SICUREZZA MCH-13-16	KIT MCH-13-16 SAFETY INFO LABEL
1.1	1		ADESIVO X MCH13-16 SERIE COMPL	INSTRUCTIONS STICKER MCH-13-16
1.2	1		ADESIVO NORME SICUREZZA	SAFETY INFORMATION STICKER
1.3	1		ADESIVO USO	USE STICKER
1.4a	1		ADESIVO PRESSIONE 232 BAR	PRESSURE STICKER 232 BAR
1.4b	1		ADESIVO PRESSIONE 300 BAR	PRESSURE STICKER 300 BAR
1.4c	1		ADESIVO PRESSIONE 330 BAR	PRESSURE STICKER 330 BAR
1.5	1		ADESIVO FORBIDDEN 82X42	FORBIDDEN STICKER 82X42
1.6	1		ADESIVO MCH13 COMPACT EVO 15,5X3,5 ARG. POL.	STICKER MCH13 COMPACT EVO 15,5X3,5 ARG. POL.
1.7	1		ADESIVO OIL LEVEL TRASPARENTE SCRITTA NERA	STICKER OIL LEVEL

TARGHETTE DI SICUREZZA - SAFETY INFO LABEL

KIT1 - 13-10-0003/R



PULEGGIA MOTORE/CINGHIA DI TRASMISSIONE ENGINE PULLEY/TRANSMISSION BELT

Compressore Compressor	Motore - Powered by				Puleggia-Pulley [B]		Codice cinghia-Belt code [A]
	Tipo Type	Potenza Power [kW]	Tensione Voltage [V]	Frequenza Frequency [Hz]	∅ [mm]	Codice Code [B]	Compact
MCH-16	Trifase Three Phase	5.5	230/400	50	250	13-00-0024	CINGA73
			230/440	60	190	PUL/190/A	CINGA71

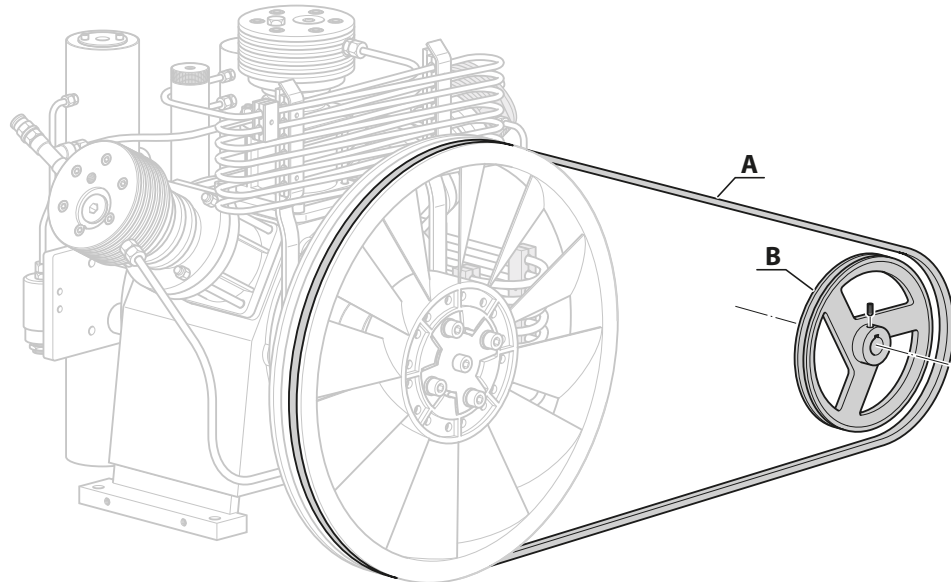
COMPONENTI ELETTRICI - ELECTRICAL COMPONENTS

Rif. Pos.	Q.tà Q.ty	Codice Code	Descrizione	Description
1	1	20-00-0001	PULSANTE VERDE COMPLETO	COMPLETE GREEN PUSH-BUTTON
2	1	20-00-0002	PULSANTE ROSSO COMPLETO	COMPLETE RED PUSH-BUTTON
3	1	20-00-0003	PULSANTE GIALLO COMPLETO	COMPLETE YELLOW PUSH-BUTTON
4	1	20-00-0004	LUCE ROSSA COMPLETA	COMPLETE RED LIGHT
5	1	20-00-0005	PULSANTE DI EMERGENZA COMPLETO	COMPLETE EMERGENCY PUSH-BUTTON
6	1	R38HTRR	TERMOSTATO CABINA	CABIN THERMOSTAT
7	1	63223050	CONTAORE	HOUR METER
8	1	3RT20251AL20	CONTATTORE LINEA (MCH-13-16-18)	LINEAR CONTACTOR (MCH-13-16-18)
9	1	3RV20111KA10	INTERRUTTORE PROTEZIONE MOTORE (MCH-13-16)	ENGINE PROTECTION SWITCH (MCH-13-16)
10	1	55180020001	FUSIBILE RAPIDO DA 1A CONFEZIONE DA 10PZ	QUICK FUSE 1A PACKAGE FROM 10PZ
11	1	DPA51CM44	SEQUENZA FASI (SOLO VERSIONE EVO)	PHASES SEQUENCE (ONLY EVO VERSION)
12	1	DCB51CM24	TEMPORIZZATORE PAUSA LAVORO	TIMER PAUSE WORK
13	1	20-00-0006	RELÈ AUSILIARIO COMPLETO (SOLO VERSIONE EVO)	COMPLETE AUXILIARY RELAY (ONLY EVO VERSION)
14	1	CFM000631638	TRASFORMATORE 63VA	TRANSFORMER 63VA

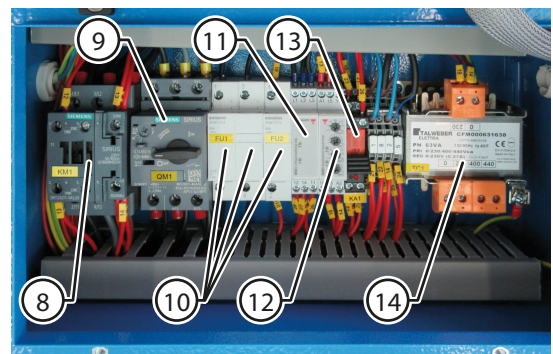
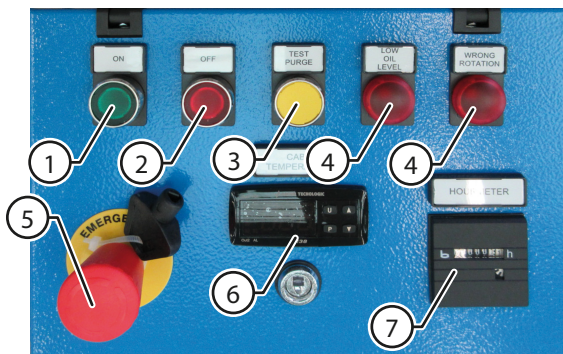
OLIO DI LUBRIFICAZIONE E GRASSO - LUBRICATION OIL AND GREASE

Rif. Pos.	Q.tà Q.ty	Codice Code	Descrizione	Description
1	1	SC000795	COLTRI OIL 157 - 1L	COLTRI OIL 157 - 1L
2	1	GRASSO/FGHV	GRASSO SINTETICO ATOSSICO PER TAPPI FILTRO HP	NO-TOXIC SYNTHETIC GREASE FOR CAPS FILTER HP

**PULEGGIA MOTORE/CINGHIA DI TRASMISSIONE
ENGINE PULLEY/TRANSMISSION BELT**



COMPONENTI ELETTRICI - ELECTRICAL COMPONENTS



OLIO DI LUBRIFICAZIONE E GRASSO - LUBRICATION OIL AND GREASE





AEROTECNICA COLTRI Spa
Via Colli Storici, 177
25015 DESENZANO DEL GARDA (BS) ITALY
Tel. +39 030 9910301 - Fax. +39 030 9910283
www.coltri.com

LP-BOOSTERC-0519