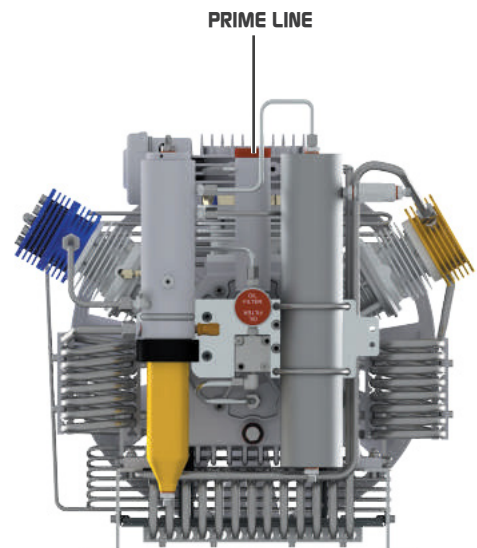
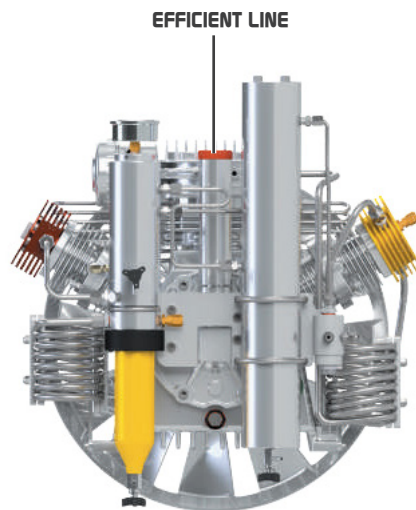


Italiano 
English 



HIGH PRESSURE COMPRESSORS FOR PURE BREATHING AIR AND TECHNICAL GASES
COMPRESSORE AD ALTA PRESSIONE PER ARIA RESPIRABILE E GAS TECNICI



CATALOGO RICAMBI
SPARE PARTS LIST

MCH-8-11-13-16-18-21-23



I prezzi indicati nel presente listino sono IVA ESCLUSA.
La resa della merce È FRANCO nostra fabbrica - trasporto escluso.
All prices herewith listed are vat excluded.
Delivery terms : ex work our company.

I dati riportati nel presente catalogo non sono impegnativi. AEROTECNICA COLTRI SpA si riserva di modificare i dati in qualsiasi momento.
AEROTECNICA COLTRI SpA reserves the right of amending the data contained in this catalogue at any time.

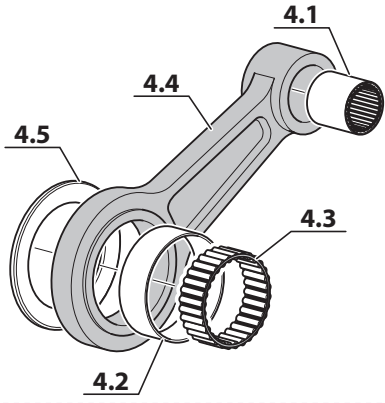
INDICE	INDEX	PAG.
FLANGE/VENTOLA	FLANGE/COOLING FAN	4
CIRCUITO OLIO	OIL CIRCUIT	6
1° STADIO MCH-8	1 st STAGE MCH-8	8
1° STADIO MCH-11-13-16-18-21-23	1 st STAGE MCH-11-13-16-18-21-23	10
2° STADIO MCH-8-11-13-16-18-21-23	2 nd STAGE MCH-8-11-13-16-18-21-23	12
3° STADIO MCH-8-11-13-16-18	3 rd STAGE MCH-8-11-13-16-18	14
3° STADIO MCH-21-23	3 rd STAGE MCH-21-23	16
CIRCUITO DI PRESSIONE Linea Efficient MCH-8-11-13-16-18	PRESSURE CIRCUIT Efficient Line MCH-8-11-13-16-18	18
CIRCUITO DI PRESSIONE Linea Prime MCH-13-16 TPS	PRESSURE CIRCUIT Prime Line MCH-13-16 TPS	20
CIRCUITO DI PRESSIONE Linea Prime MCH-21-23 TPS	PRESSURE CIRCUIT Prime Line MCH-21-23 TPS	22
SEPARATORE DI CONDENSA	CONDENSATE SEPARATOR	24
MAXIFILTRO DEPURATORE	MAXIFILTER PURIFIER	26
HYPERFILTER DEPURATORE	HYPERFILTER PURIFIER	28
VALVOLA DI SICUREZZA	SAFETY VALVE	30
VALVOLA MANTENIMENTO PRESSIONE	PRESSURE MAINTENANCE VALVE	30
CIRCUITO DI FILTRAZIONE Mod: SMART - ERGO PETROL	FILTERING CIRCUIT Mod: SMART - ERGO PETROL	32
CIRCUITO DI FILTRAZIONE Mod: ERGO	FILTERING CIRCUIT Mod: ERGO	34
CIRCUITO DI FILTRAZIONE Mod: COMPACT EVO	FILTERING CIRCUIT Mod: COMPACT EVO	36
CIRCUITO DI FILTRAZIONE Mod: SUPER SILENT EVO	FILTERING CIRCUIT Mod: SUPER SILENT EVO	38
CIRCUITO DI FILTRAZIONE Mod: ERGO TPS	FILTERING CIRCUIT Mod: ERGO TPS	40
CIRCUITO DI FILTRAZIONE Mod: MARK3 TPS	FILTERING CIRCUIT Mod: MARK3 TPS	42
CIRCUITO DI FILTRAZIONE Mod: SUPER SILENT TPS	FILTERING CIRCUIT Mod: SUPER SILENT TPS	44
SCARICO CONDENSA Mod: SMART (AUTOMATIC)	CONDENSATE DISCHARGE Mod: SMART (AUTOMATIC)	46
SCARICO CONDENSA Mod: ERGO	CONDENSATE DISCHARGE Mod: ERGO	48
SCARICO CONDENSA Mod: COMPACT EVO	CONDENSATE DISCHARGE Mod: COMPACT EVO	50
SCARICO CONDENSA Mod: SUPER SILENT EVO	CONDENSATE DISCHARGE Mod: SUPER SILENT EVO	52
SCARICO CONDENSA Mod: ERGO TPS	CONDENSATE DISCHARGE Mod: ERGO TPS	54
SCARICO CONDENSA Mod: MARK3 TPS	CONDENSATE DISCHARGE Mod: MARK3 TPS	56
SCARICO CONDENSA Mod: SUPER SILENT TPS	CONDENSATE DISCHARGE Mod: SUPER SILENT TPS	58
TARGHETTE DI SICUREZZA	SAFETY INFO LABEL	60
PULEGGIA MOTORE/CINGHIA DI TRASMISSIONE	ENGINE PULLEY/TRANSMISSION BELT	62
COMPONENTI ELETTRICI - QUADRO DI COMANDO REMOTO	ELECTRICAL COMPONENTS - AUTOMATIC SWITCHBOARD	64
ATTACCHI PER RICARICA BOMBOLE	REFILL CONNECTORS	64
OLIO DI LUBRIFICAZIONE E GRASSO	LUBRICATION OIL AND GREASE	64

FLANGE/VENTOLA - FLANGE/COOLING FAN

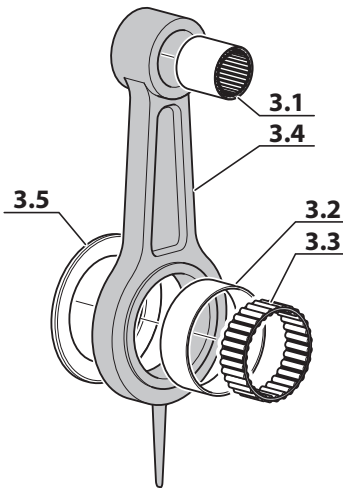
RIF. POS.	Q.TÀ Q.TY	CODICE CODE	DESCRIZIONE	DESCRIPTION
KIT1a	1	13-00-0050/R	KIT FLANGIA LATO FILTRI MCH13/16	FILTER SIDE FLANGE MCH13/16 KIT
KIT1b	1	13-00-0050/TR/R	KIT FLANGIA LATO FILTRI MCH13/16 PER TROPICAL	FILTER SIDE FLANGE MCH13/16 FOR TROPICAL KIT
1.1a	1		FLANGIA LATO FILTRI MCH13/16	FILTER SIDE FLANGE MCH13/16
1.1b	1		FLANGIA LATO FILTRI MCH13/16 PER TROPICAL	FILTER SIDE FLANGE MCH13/16 FOR TROPICAL
1.2	1		O-RING 2562 NBR 90SH FLANGIA	FLANGE O-RING 2562
1.3	1		CUSCINETTO RULLI FLANGIA NU305	FLANGE ROLLER BEARING NU305
1.4	1		ANELLO ELASTICO SEEGER J 62 DIN 472	SEEGER RETAINING RING J 62
1.5	1		FLANGIA MEZZALUNA DIAM. 140X80 SP. 10/10	HALF MOON FLANGE 140X80 SP. 10/10 MCH13/16
1.6	6		VITE 8X25 T.C.E. INOX DIN 912	SCREW 8X25 T.C.E. INOX DIN 912
1.7	2		O-RING 3137 NBR70 (34.60x2.62)	O-RING 3137 NBR70 (34.60x2.62)
1.8	2		VITE T.C.E. INOX TRILOBATA C15 6x20 DIN912	SCREW T.C.E. INOX TRILOBATA C15 6x20 DIN912
1.9	1		TUBO CARICO OLIO MCH13-16	OIL FILLING TUBE MCH13/16
1.10	1		TAPPO CIECO SUP. CARICO OLIO	OIL FILLING CAP
1.11	0,3		TUBO RILSAN 8X6	RILSAN HOSE 8X6
1.12	1		RACCORDO INFERIORE TUBO CARICO OLIO	LOWER OIL CHARGE TUBE FITTING MCH13/16
KIT2a	1	13-00-0071/R	KIT FLANGIA LATO VENTOLA+COLLO D'OCA MCH 13/16	FAN SIDE FLANGE+CRANKSHAFT MCH13-16 KIT
KIT2b	1	23-00-0098/R	KIT FLANGIA LATO VENTOLA+COLLO D'OCA MCH 21-23	FAN SIDE FLANGE+CRANKSHAFT MCH 21-23 KIT
2.1	1		VITE T.C.E. ZINCATA 8X65	8X65 TCE SCREW
2.2	1		DADO ZINCATO AUTOBLOC. M8 ALTO	8MM SELF-LOCKING NUT
2.3	1		CONTRAPPESO MCH13	COUNTERWEIGHT
2.4	3		ANELLO TEMPRATO LR 30X35X16,5	HARDENED RING LR 30X35X16,5
2.5a	1		COLLO D'OCA MCH13/16	CRANKSHAFT MCH13/16
2.5b	1		COLLO D'OCA MCH21/23	CRANKSHAFT MCH21/23
2.6	1		CHIAVETTA MM.8X7X25	KEY MM.8X7X25
2.7	1		ANELLO ELASTICO SEEGER A30 30X1,5	SEEGER RETAINING RING A30 30X1,5
2.8	1		RONDELLA PIANA M10 INOX DIN125	WASHER M10 INOX DIN125
2.9	1		VITE 10X40 T.C.E. ZINC.	SCREW 10X40 T.C.E. ZINC.
2.10	1		FLANGIA LATO VENTOLA MCH 13/16	FAN SIDE FLANGE MCH13-16
2.11	1	13-00-0070/N	CUSCINETTO A RULLI NUP 206 C3	ROLLER BEARING NUP 206 C3
2.12	1		O-RING 2562 NBR 90SH FLANGIA	FLANGE O-RING 2562
2.13	1		ANELLO ELASTICO SEEGER J 62 DIN 472	SEEGER RETAINING RING J 62
2.14	4		VITE 8X25 T.C.E. I NOX DIN 912	SCREW 8X25 T.C.E. NOX DIN 912
2.15	1	13-00-0173/D	PARAOLIO DOPPIO LABBRO 30X48X8	OIL SPLASH GUARD 30-48-8
2.16	2		VITE T.C.E. INOX 8X30 DIN91	SCREW T.C.E. INOX 8X30
2.17	1		RONDELLA VENTOLA MCH-13-16 ZINCATA	WASHER COOLING FAN MCH-13-16
KIT3	1	16-00-0100/R	KIT BIELLA PRIMO STADIO MCH13/16/23	1ST STAGE CON-ROD ASS.BLY KIT
3.1	1	13-00-0192	GABBIA A RULLI HK2020 AS1	BEARING ROLLER
3.2	1	13-00-0126	ANELLO TEMPRATO IR 42X47X15,1 INTERNO BIELLA	HARDENED RING IR 42X47X15,1
3.3	1	13-00-0128	GABBIA A RULLI 35X42X16-AH	BEARING ROLLER
3.4	1	16-00-0100	BIELLA PRIMO STADIO MCH13/16	1ST STAGE CON-ROD
3.5	1	13-00-0106	RALLA AS 3552	SPACER
KIT4	1	16-00-0101/R	KIT BIELLA 2°-3° STADIO MCH-13/16/23	2ND/3RD STAGE CON-ROD ASS.BLY MCH13/16/23 KIT
4.1	1	13-00-0192	GABBIA A RULLI HK2020 AS1	BEARING ROLLER
4.2	1	13-00-0126	ANELLO TEMPRATO IR 42X47X15,1 INTERNO BIELLA	HARDENED RING IR 42X47X15,1
4.3	1	13-00-0128	GABBIA A RULLI 35X42X16-AH	BEARING ROLLER
4.4	1	16-00-0101	BIELLA SECONDO TERZO STADIO MCH13/16	2ND 3RD STAGE CON-ROD
4.5	1	13-00-0106	RALLA AS 3552	SPACER
5	1	13-00-0077	VENTOLA DI RAFFREDDAMENTO MCH13/16	COOLING FAN WHEEL MCH13-16
6	1	13-00-01177	RONDELLA VENTOLA MCH-13-16 ZINCATA	WASHER COOLING FAN MCH-13-16
7	1	RON10I	RONDELLA PIANA M10 INOX DIN125	WASHER M10 INOX DIN125
8	1	13-00-0081	VITE 10X40 T.C.E. ZINC.	SCREW 10X40 T.C.E. ZINC.
9	4	13-01-0008	VITE PRIGIONIERA M8X35 INOX	STUD SCREW M8X35 INOX
10	8	13-02-0040	VITE PRIGIONIERA M8X105 INOX	STUD SCREW M8X105 INOX

FLANGE/VENTOLA - FLANGE/COOLING FAN

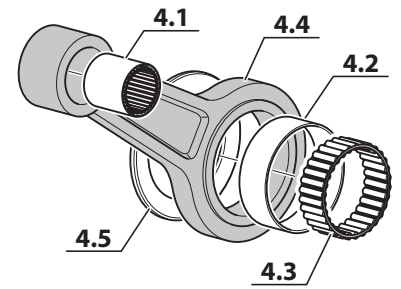
KIT4 (3rd STAGE) - 16-00-0101/R



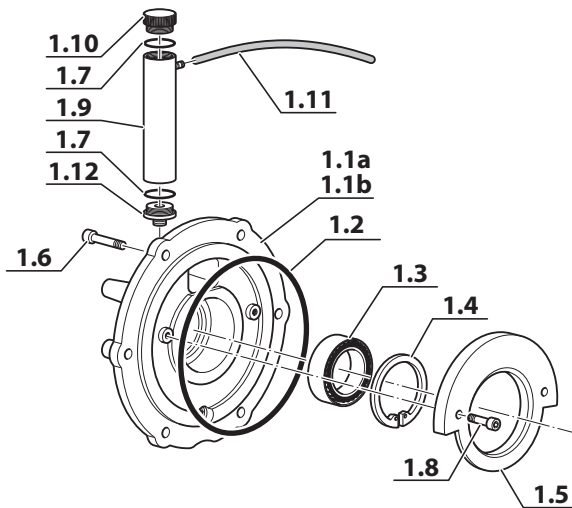
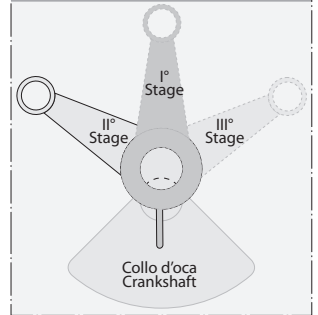
KIT3 (1st STAGE) - 16-00-0100/R



KIT4 (2nd STAGE) - 16-00-0101/R

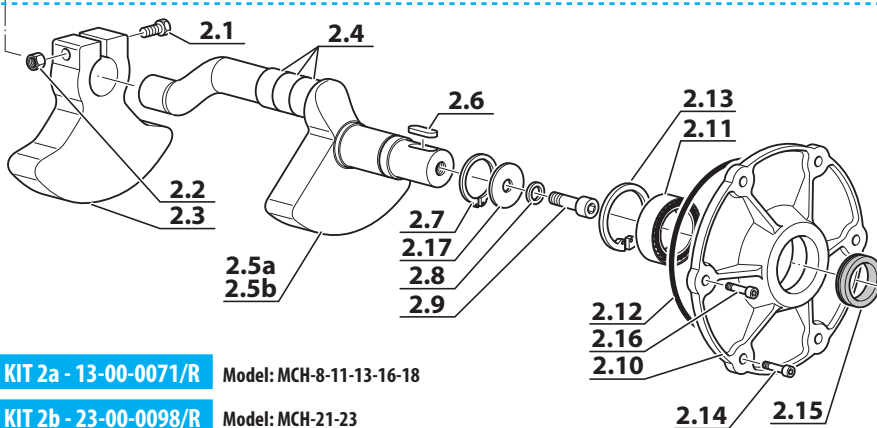
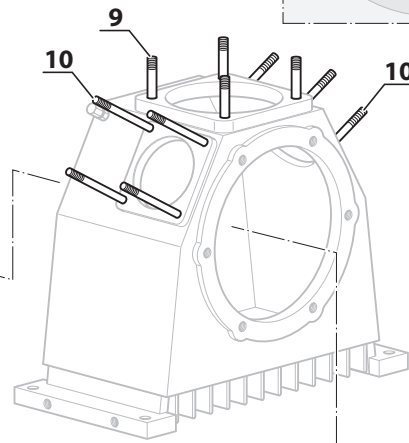


Senso di montaggio biella 1° stadio
Direction of assembly 1st stage connecting-rod



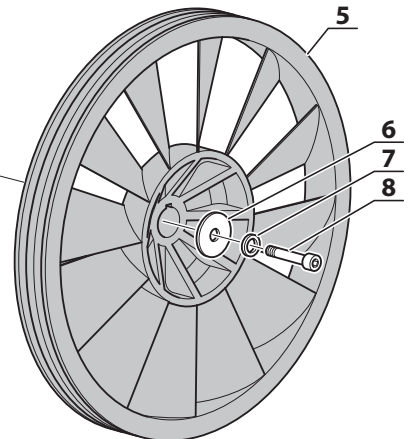
KIT 1a - 13-00-0050/R Model: Smart - Ergo - Compact Evo - SuperSilent Evo

KIT 1b - 13-00-0050/TR/R Model: Ergo TPS - Mark3 - SuperSilent TPS



KIT 2a - 13-00-0071/R Model: MCH-8-11-13-16-18

KIT 2b - 23-00-0098/R Model: MCH-21-23

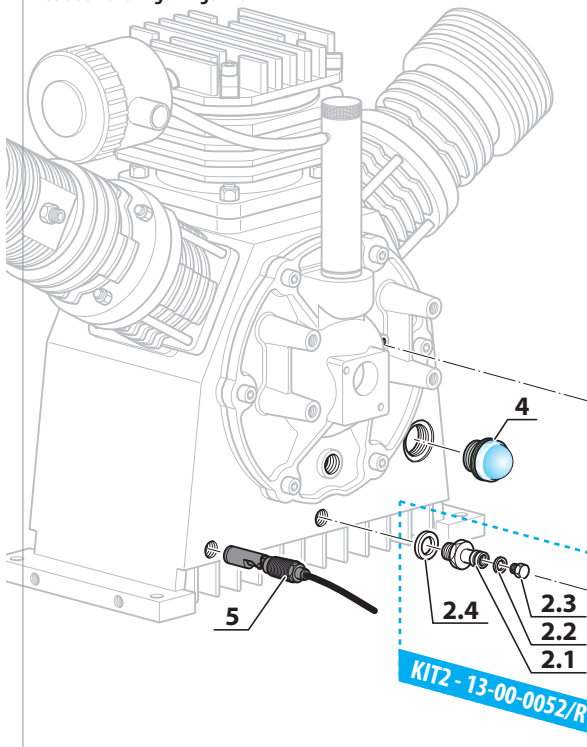


CIRCUITO OLIO - OIL CIRCUIT

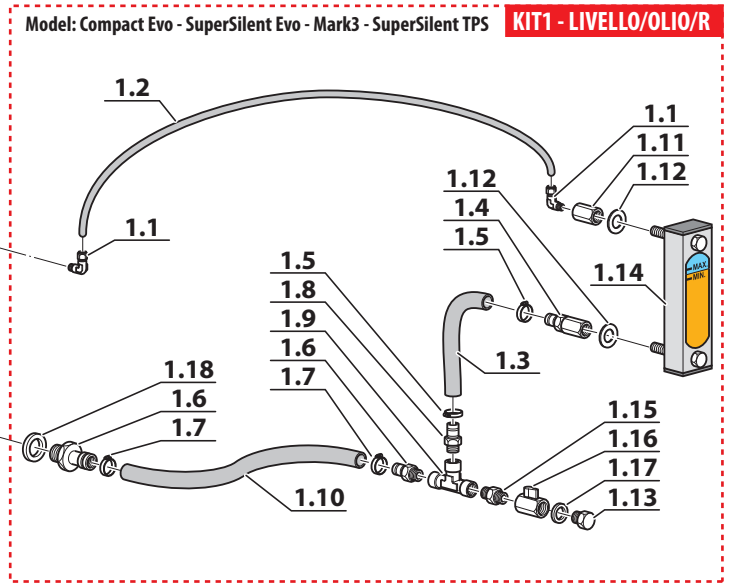
RIF. POS.	Q.TÀ Q.TY	CODICE CODE	DESCRIZIONE	DESCRIPTION
KIT1	1	LIVELLO/OLIO/R	KIT LIVELLO OLIO MCH-13-16	KIT OIL LEVEL MCH-13-16
1.1	2		RACCORDO 90° 1/8 NPT	FITTING 90° 1/8 NPT
1.2	1		TUBO CONTROLLO LIVELLO OLIO	OIL LEVEL CHECK TUBE MCH13/16
1.3	1		TUBO SCARICO OLIO MCH13/16 COMPACT	OIL DRAIN TUBE MCH13/16 COMPACT
1.4	1		RACCORDO INFER. LIVELLO OLIO	LOWER OIL LEVEL FITTING
1.5	2		FASCETTA STRING. 2 D10/18	CLAMP 2 D10/18
1.6	2		RACCORDO G1/2 M. - PORTAGOMMA	FITTING G1/2 M.
1.7	4		FASCETTA STRING. 3B D.17/29	CLAMP 3B D.17/29
1.8	2		RACCORDO 1/2 PORTATUBO	1/2 CARRIER FITTING
1.9	1		RACCORDO A T 1/2" F	T FITTING 1/2" F
1.10	1		TUBO LIVELLO OLIO	OIL LEVEL TUBE
1.11	2		RACCORDO SUP. LIVELLO OLIO	OIL LEVEL UPPER FITTING
1.12	2		GUARNIZIONE LIVEL.OLIO 10X20X3	10X20X3 OIL LEVEL GASKET
1.13	1		TAPPO 1/2" SCARICO OLIO	OIL DRAIN PLUG 1/2"
1.14	1		LIVELLO OLIO PER MCH-13-16	OIL LEVEL FOR MCH-13-16
1.15	1		RACCORDO M-M 1/2"	FITTING M-M 1/2"
1.16	1		VALVOLA A SFERA MIGNON DA 1/2 FF	MIGNON VALVE 1/2 FF
1.17	1		GUARNIZIONE RAME 13,5X19X1,5	COPPER GASKET 13,5X19X1,5
1.18	1		GUARNIZIONE RAME 21,5X28X1,5	COPPER GASKET 21,5X28X1,5
KIT2	1	13-00-0052/R	KIT PROLUNGA SCARICO OLIO	KIT FITTING FOR OIL DISCHARGE
2.1	1		PROLUNGA SCARICO OLIO	FITTING FOR OIL DISCHARGE
2.2	1		GUARNIZIONE RAME 13,5X19X1,5	COPPER GASKET 13,5X19X1,5
2.3	1		TAPPO SCARICO OLIO	OIL DRAIN PLUG
2.4	1		GUARNIZIONE RAME 21,5X28X1,5	COPPER GASKET 21,5X28X1,5
KIT3	1	LIVELLO/OLIO/TPS/R	KIT POMPA OLIO PER TROPICAL PLUS	KIT OIL PUMP FOR TROPICAL PLUS
3.1	1		GIUNTO POMPA OLIO MCH13/16 PER TROPICAL	OIL PUMP COUPLING MCH13/16 TROPICAL
3.2	1		TAPPO FILTRO OLIO ROSSO	OIL FILTER PLUG RED
3.3	2		RACCORDO OGIVA TUBO Ø6 M12X1,5 - 1/8 NPT	FITTING TUBE Ø6 M12X1,5 - 1/8 NPT
3.4	1		RACCORDO PASSAPARETE E3128008	BULKHEAD FITTING E3128008
3.5	1		GUARNIZIONE RAME 13,5X19X1,5	COPPER GASKET 13,5X19X1,5
3.6	1		TUBO INGRESSO POMPA OLIO Ø8mm	OIL PUMP INLET PIPE Ø8mm
3.7	1		RACCORDO 90° 1/8 NPT TUBO Ø8	FITTING 90° 1/8 NPT - TUBO 8MM
3.8	1		RACCORDO 1/8 NPT - 1/8 NPT	FITTING 1/8 NPT - 1/8 NPT
3.9	1		TUBO INOX 6X1 MCH-13-16 TP SCARICO OLIO	SS TUBE 6X1 MCH-13-16 TP OIL DRAIN
3.10	1		POMPA OLIO MCH36	OIL PUMP MCH36
3.11	2		VITE TCEI M6x60	SCREW TCEI M6x60
3.12	1		CARTER POMPA OLIO	OIL PUMP CARTER
3.13	1		GUARNIZIONE FILTRO OLIO IN NBR	OIL FILTER GASKET
3.14	1	36-06-006	FILTRO OLIO	OIL FILTER
3.15	1		MOLLA SCARICO CONDENSA	SPRING CONDENSATE DISCHARGE
3.16	1		O-RING 3137 NBR 90SH (34.60X2.62)	O-RING 3137 NBR 90SH (34.60X2.62)
4	1	13-00-0068	VISORE LIVELLO OLIO CON GUARNIZIONE	OIL LEVEL VIEWER WITH GASKET
5	1	SC000334	SENSORE LIVELLO OLIO	OIL LEVEL SWITCH

CIRCUITO OLIO - OIL CIRCUIT

Model: Smart- Ergo - Ergo TPS

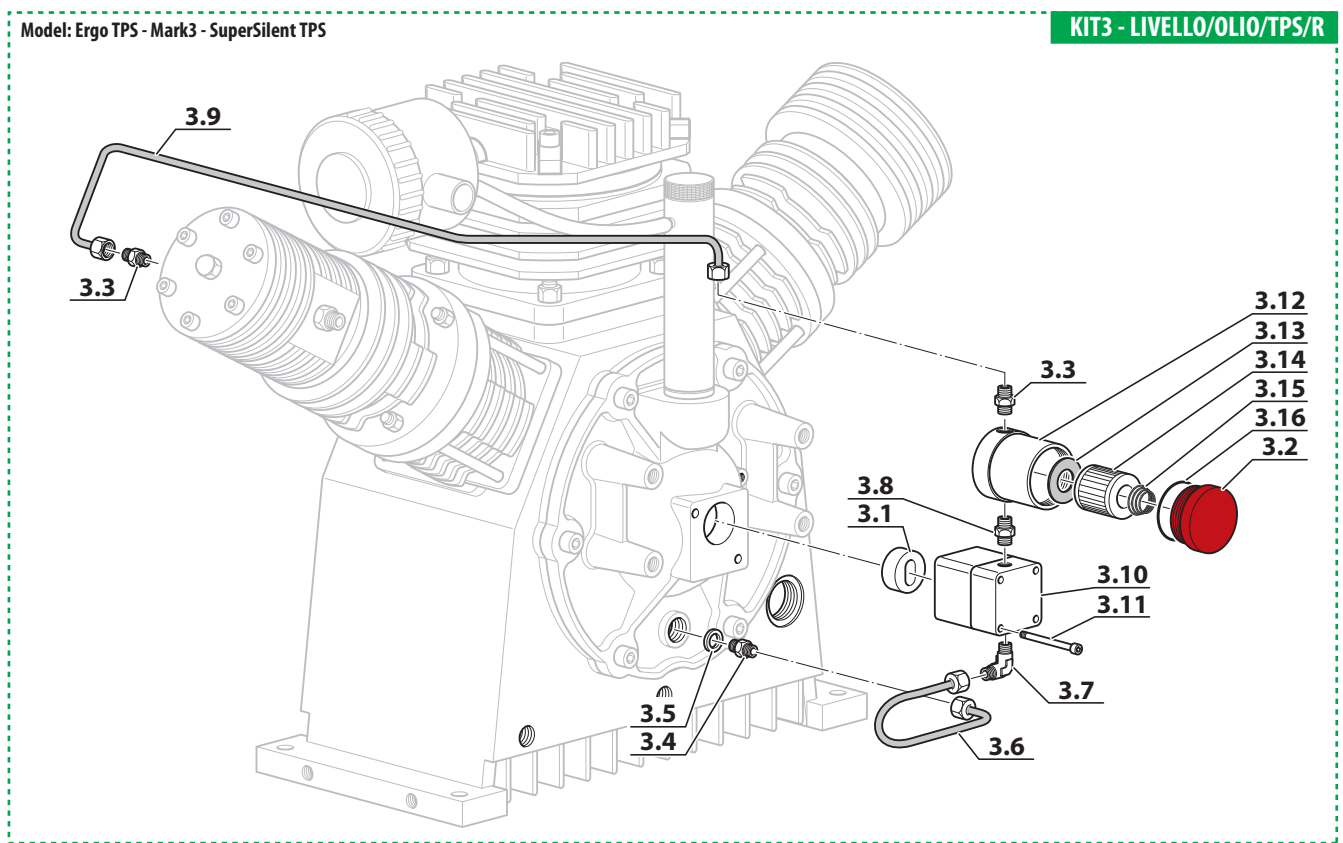


Model: Compact Evo - SuperSilent Evo - Mark3 - SuperSilent TPS **KIT1 - LIVELLO/OLIO/R**



Model: Ergo TPS - Mark3 - SuperSilent TPS

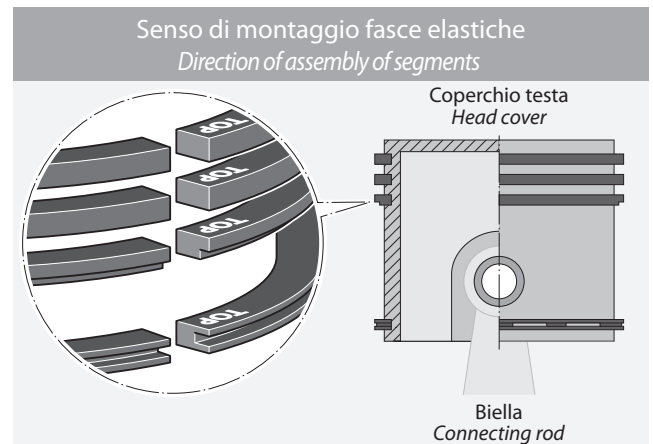
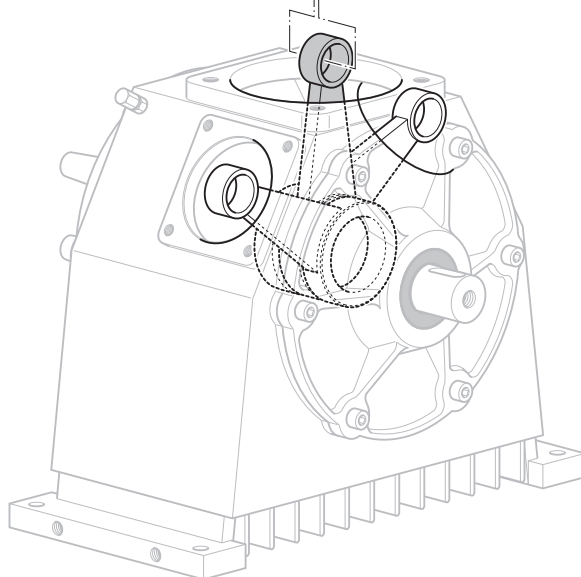
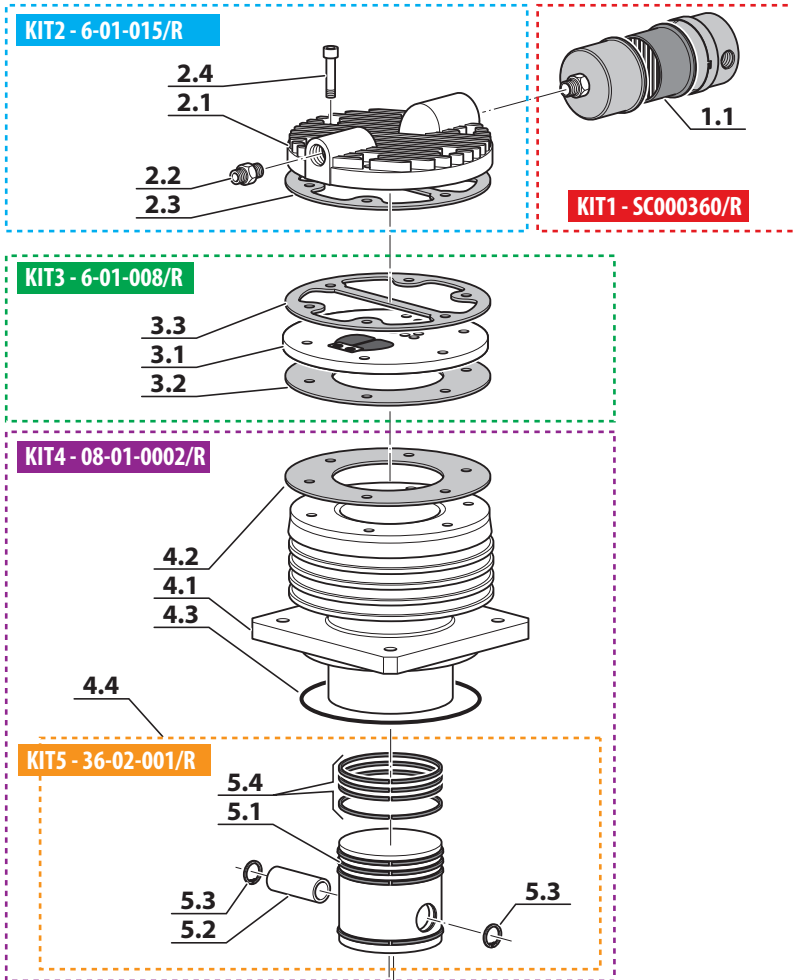
KIT3 - LIVELLO/OLIO/TPS/R



1° STADIO MCH-8 - 1st STAGE MCH-8

RIF. POS.	Q.TÀ Q.TY	CODICE CODE	DESCRIZIONE	DESCRIPTION
KIT1	1	SC000360/R	KIT CARTUCCIA FILTRO ASPIRAZIONE	CARTRIDGE AIR INTAKE FILTER KIT
1.1	1	SC000345	CARTUCCIA FILTRO ASPIRAZIONE	CARTRIDGE AIR INTAKE FILTER
KIT2	1	6-01-015/R	KIT COPERCHIO 1°STADIO	1ST STAGE CYLINDER HEAD COVER KIT
2.1	1		COPERCHIO TESTA 1°STADIO	CYLINDER HEAD COVER 1ST STAGE
2.2	1		RACCORDO OGIVA TUBO Ø10 1/4 NPT	FITTING OGIVE TUBE Ø10 1/4 NPT
2.3	1		GUARNIZIONE COPERCHIO TESTA MCH-6 Ø120	CYLINDER HEAD COVER GASKET MCH-6 Ø120
2.4	6		VITE TCE 6X35 INOX	SCREW TCE 6X35 INOX
KIT3	1	6-01-008/R	KIT TESTA 1°STADIO	1ST STAGE CYLINDER HEAD KIT
3.1	1		CORPO TESTA 1° STADIO	CYLINDER HEAD 1ST STAGE
3.2	1	6-01-009	GUARNIZIONE 1° STADIO MCH-13/16 SOTTO	GASKET 1° STAGE MCH-13/16 DOWN
3.3	1	6-01-025	GUARNIZIONE COPERCHIO TESTA MCH-6 Ø120	CYLINDER HEAD COVER GASKET MCH-6 Ø120
KIT4	1	08-01-0002/R	KIT CILINDRO 1° ST. MCH8 CNG	1ST STAGE CYLINDER MCH-8 KIT
4.1	1		CILINDRO 1° STADIO ALLUMINIO Ø60 MCH-8	CILINDER 1° STAGE ALUMINUM Ø60 MCH-8
4.2	1		GUARNIZIONE 1° STADIO MCH-13/16 SOTTO	GASKET 1° STAGE MCH-13/16 DOWN
4.3	1		O-RING 2412 NBR 70 (104.40X1.78)	O-RING 2412 NBR 70 (104.40X1.78)
4.4	1		KIT PISTONE 2° STADIO	KIT 2ND STAGE PISTON
KIT5	1	36-02-001/R	KIT PISTONE 2° STADIO	KIT 2ND STAGE PISTON
5.1	1		PISTONE 2° STADIO DIAM.60 6034	2ND STAGE PISTON 60MM MCH36
5.2	1		SPINOTTO PISTONE 2°STADIO	2ND STAGE PISTON PIN
5.3	2		SEEGER	SNAP RING
5.4	4	36-02-004	SERIE N°4 SEGMENTI PISTONE 2°STADIO	SERIES N°4 SEGMENTS 2ND STAGE PISTON

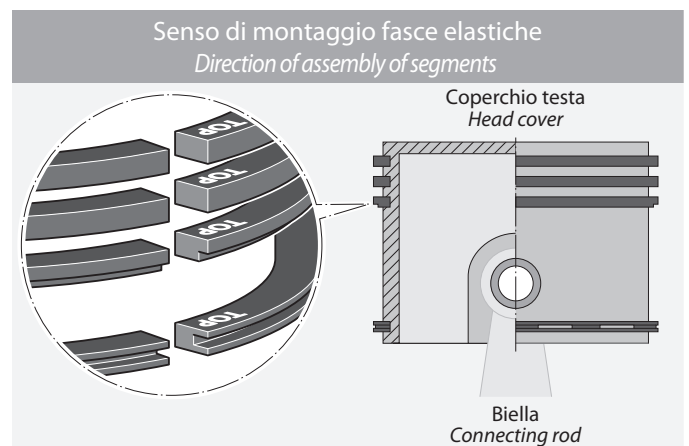
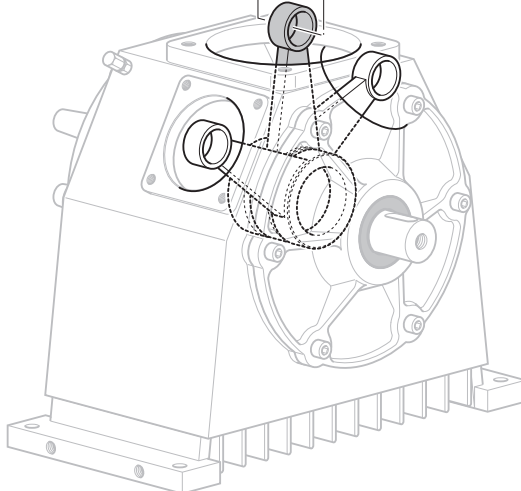
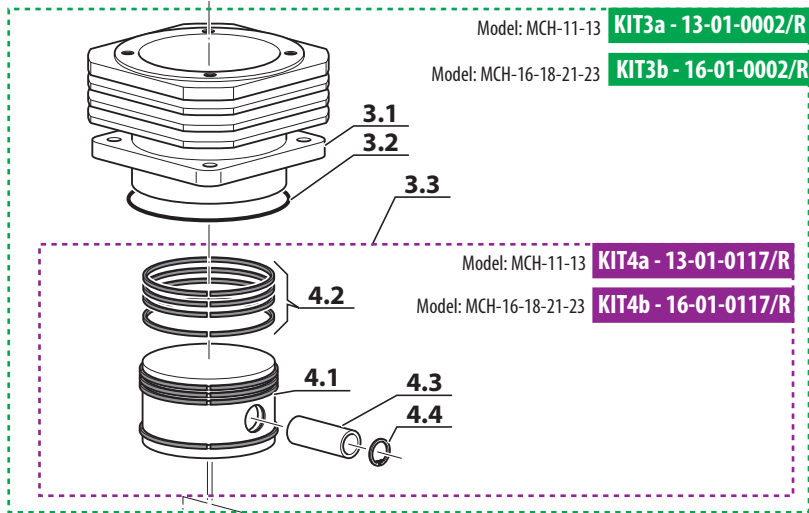
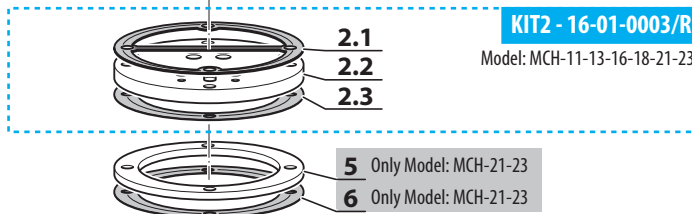
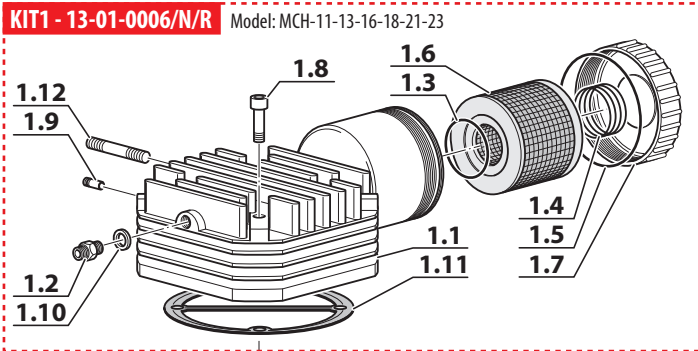
1° STADIO MCH-8 - 1st STAGE MCH-8



1° STADIO MCH-11-13-16-18-21-23 - 1st STAGE MCH-11-13-16-18-21-23

RIF. POS.	Q.TÀ Q.TY	CODICE CODE	DESCRIZIONE	DESCRIPTION
KIT1	1	13-01-0006/N/R	KIT COPERCHIO NUOVA TESTA 1° STADIO MCH-16-18	NEW MCH-16-18 1ST STAGE HEAD COVER KIT
1.1	1		COPERCHIO NUOVA TESTA 1° STADIO	NEW 1ST STAGE HEAD COVER MCH13/16
1.2	1		RACCORDO 3/8 TUBO Ø10	FITTING 3/8 TUBE Ø10
1.3	1		O-RING 3137 NBR 90SH (34.60X2.62)	O-R SUCTION FILTER 3137 NBR 90SH (34,60X2,62)
1.4	1		MOLLA FILTRO ASPIRAZIONE	INTAKE FILTER SPRING
1.5	1		O-RING DIN 3281 - 71,12 X 2,62 - NBR 70	O-RING DIN 3281 - 71,12 X 2,62 - NBR 70
1.6	1	SC000370	CART. FILTRO ASP. MCH13/16	SUCTION FILTER CARTRIDGE MCH13/16
1.7	1		COPERCHIO FILTRO ASPIRAZIONE	INTAKE FILTER COVER MCH13/16
1.8	4		VITE T.C.E. INOX 8X45 DIN4762	SCREW T.C.E. INOX 8X45 DIN4762
1.9	4		BECCUCCIO RECUPERO OLIO	PIN RECOVERY OIL
1.10	1		RONDELLA IN RAME 3/8 (17X23X1,5)	COPPER WASHER 3/8 (17X23X1,5)
1.11	1	13-01-0005/N	GUARNIZ.1° ST.(SAGOM) MCH13/16 NUOVA TESTA	1°ST STAGE GASKET MCH/13 NEW HEAD
1.12	1		VITE PRIGIONIERA M8X35 INOX	STUD SCREW M8X35 INOX
KIT2	1	16-01-0003/R	KIT TESTA 1° STADIO 88MM	1ST STAGE CYLINDER HEAD 88MM KIT
2.1	1	13-01-0005/N	GUARNIZ.1° ST.(SAGOM) MCH13/16	1ST STAGE GASKET MCH/13 UPPER HEAD
2.2	1		VALVOLA PRIMO STADIO A LAMELLE MCH13/16	1ST STAGE REED VALVE
2.3	1	16-01-0003	GUARNIZIONE SOTTO TESTATA 1°ST.	1ST STAGE GASKET UNDER HEAD
KIT3a	1	13-01-0002/R	KIT CILINDRO 1°STADIO DIAM 88MM MCH-13	1ST STAGE CYLINDER 88MM. MCH13 KIT
3.1	1		CILINDRO 1°STADIO DIAM 88MM MCH-13 ALLUMINIO	1ST STAGE CYLINDER 88MM. MCH13 ALUMINUM
3.2	1		O-RING 2400 NBR 90SH(101.34X1.78)	O-RING 2400 NBR 90SH 101,34X1,78
3.3	1		KIT PISTONE 1° MCH-13	1ST STAGE MCH13 KIT
KIT3b	1	16-01-0002/R	KIT CILINDRO 1°STADIO DIAM. 95MM MCH-16	1ST STAGE CYLINDER D.95MM MCH16 KIT
3.1	1		CILINDRO 1°STADIO DIAM. 95MM MCH-16 ALLUMINIO	1ST STAGE CYLINDER D.95MM MCH16 ALUMINUM
3.2	1		O-RING 2400 NBR 90SH(101.34X1.78)	O-RING 2400 NBR 90SH 101,34X1,78
3.3	1		KIT PISTONE MCH-16	1ST STAGE MCH16 KIT
KIT4a	1	13-01-0117/R	KIT PISTONE 1° MCH-13	1ST STAGE MCH13 KIT
4.1	1		PISTONE PRIMO STADIO DIAM.88MM	1ST STAGE 88MM. PISTON MCH13
4.2	4	13-01-0118	SERIE FASCE ELASTICHE D.88MM	PISTON RINGS D. 88MM 1STA STAGE MCH13
4.3	1		SPINOTTO PRIMO STADIO D.88MM	FIRST STAGE 88MM PIN
4.4	2		SEEGER/ANELLO ELAST.SPIN.PIST.	SEEGER RETAINING RING
KIT4b	1	16-01-0117/R	KIT PISTONE MCH-16	1ST STAGE MCH16 KIT
4.1	1		PISTONE PRIMO STADIO DIAM.95MM	1ST STAGE PISTON D.95MM MCH16
4.2	4	16-01-0118	SERIE FASCE ELASTICHE D.95MM	PISTON RINGS DIA 95MM FIRST STAGE MCH16
4.3	1		SPINOTTO PRIMO STADIO D.95MM	FIRST STAGE 95MM PIN
4.4	2		SEEGER/ANELLO ELAST.SPIN.PIST.	SEEGER RETAINING RING
5	1	23-01-0005	DISTANZIALE 1° STADIO MCH-23	SPACER 1ST STAGE MCH-23
6	1	16-01-0003	GUARNIZIONE SOTTO TESTATA 1°ST.	1ST STAGE GASKET UNDER HEAD

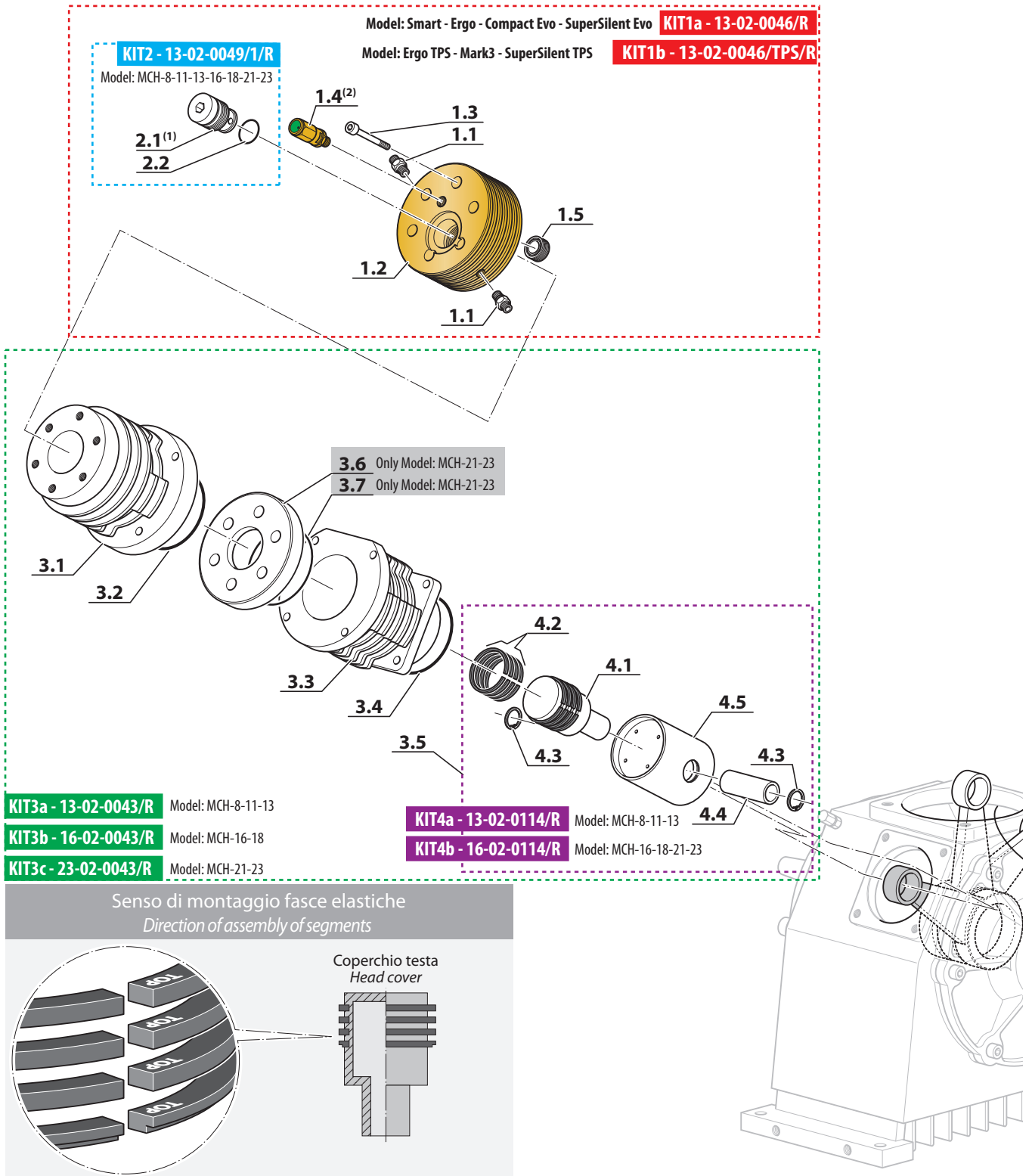
1° STADIO MCH-11-13-16-18-21-23 - 1st STAGE MCH-11-13-16-18-21-23



2° STADIO MCH-8-11-13-16-18-21-23 - 2nd STAGE MCH-8-11-13-16-18-21-23

RIF. POS.	Q.TÀ Q.TY	CODICE CODE	DESCRIZIONE	DESCRIPTION
KIT1	1	13-02-0046/R	TESTA 2° STADIO COMPLETA	2ND STAGE HEAD COMPLETE
1.1	2		RACCORDO M16X1,5 - G1/4 TUBO Ø10	FITTING M16X1,5 - G1/4 TUBE Ø10
1.2	1		TESTA 2° STADIO MCH13/16	SECOND STAGE HEAD MCH13/16
1.3	6		VITE T.C.E. INOX 8X45	SCREW 8X45 T.C.E. INOX
1.4	1	13-00-0205	VALVOLA SICUREZZA 1° STADIO MCH-13-16 10BAR	1ST STAGE SAFETY VALVE MCH-13-16 10BAR
1.5	1	13-02-0044/P	VALVOLA ASPIRAZIONE INOX 2°STADIO	2ND STAGE SUCTION VALVE INOX
KIT2	1	13-02-0049/1/R	KIT VALV.SCAR. INOX 2° STAD. MCH13/16	2ND STAGE PRESSURE VALVE INOX MCH13/16 KIT
2.1	1		VALV.SCAR.2° STAD. MCH13/16	2ND STAGE PRESSURE VALVE ASS MCH13/16
2.2	1		O-RING 4087 VITON 90 (21.82X3.53)	O-RING 4087 (21,82X3,53) VITON 90
KIT1b	1	13-02-0046/TPS/R	TESTA 2° STADIO COMPLETA PER MODELLI TPS	2ND STAGE HEAD COMPLETE PER TPS MODEL
1.1	2		RACCORDO M16X1,5 - G1/4 TUBO Ø12	FITTING M16X1,5 - G1/4 TUBE Ø12
1.2	1		TESTA 2° STADIO MCH13/16	SECOND STAGE HEAD MCH13/16
1.3	6		VITE T.C.E. INOX 8X45	SCREW 8X45 T.C.E. INOX
1.4	1	13-00-0205	VALVOLA SICUREZZA 1° STADIO MCH-13-16 10BAR	1ST STAGE SAFETY VALVE MCH-13-16 10BAR
1.5	1	13-02-0044/P	VALVOLA ASPIRAZIONE INOX 2°STADIO	2ND STAGE SUCTION VALVE INOX
KIT2	1	13-02-0049/1/R	KIT VALV.SCAR. INOX 2° STAD. MCH13/16	2ND STAGE PRESSURE VALVE INOX MCH13/16 KIT
2.1	1		VALV.SCAR.2° STAD. MCH13/16	2ND STAGE PRESSURE VALVE ASS MCH13/16
2.2	1		O-RING 4087 VITON 90 (21.82X3.53)	O-RING 4087 (21,82X3,53) VITON 90
KIT3a	1	13-02-0043/R	KIT CILINDRO SECONDO STADIO D.36MM MCH13	2ND STAGE 36MM CYLINDER MCH13 KIT
3.1	1		CILINDRO 2° STADIO MCH-11-13	2ND STAGE CYLINDER MCH-11-13
3.2	1		O-RING 3237 NBR 90SH (60.00X2.62)	O-RING 3237 NBR 90SH 60X2,62
3.3	1		CILINDRO GUIDA 2° STAD. D.60MM	2ND STAGE 60MM. GUIDING CYLINDMCH13/16
3.4	1		O-RING 2275 NBR 90SH (69.57X1.78)	O-RING 2275 NBR 90SH 69,57X1,78
3.5	1		KIT PISTONE 2^ STADIO DIAM.60/36MM MCH-13	2ND STAGE PISTON DIA. 60/36MM MCH13 KIT
KIT3	1	16-02-0043/R	KIT CILINDRO SECONDO STADIO D.38MM MCH16	2ND STAGE CYLINDER D.38MM MCH16 KIT
3.1	1		CILINDRO 2° STADIO MCH-16/23	2ND STAGE CYLINDER MCH-16/23
3.2	1		O-RING 3237 NBR 90SH (60.00X2.62)	O-RING 3237 NBR 90SH 60X2,62
3.3	1		CILINDRO GUIDA 2° STAD. D.60MM	2ND STAGE 60MM. GUIDING CYLINDMCH13/16
3.4	1		O-RING 2275 NBR 90SH (69.57X1.78)	O-RING 2275 NBR 90SH 69,57X1,78
3.5	1		KIT PISTONE 2^ STADIO DIAM.60/38MM MCH16	2ND STAGE PISTON D.60/38MM MCH16 KIT
3.6	1		DISTANZIALE 2° STADIO MCH-23	SPACER 2ND STAGE MCH-23
3.7	1		O-RING 3281 NBR 90SH 71,12x2,62	O-RING 3281 NBR 90SH 71,12x2,62
KIT3	1	23-02-0043/R	KIT CILINDRO SECONDO STADIO D.38MM MCH-21-23	2ND STAGE CYLINDER D.38MM MCH-21-23 KIT
3.1	1		CILINDRO 2° STADIO MCH-16/23	2ND STAGE CYLINDER MCH-16/23
3.2	1		O-RING 3237 NBR 90SH (60.00X2.62)	O-RING 3237 NBR 90SH 60X2,62
3.3	1		CILINDRO GUIDA 2° STAD. D.60MM	2ND STAGE 60MM. GUIDING CYLINDMCH13/16
3.4	1		O-RING 2275 NBR 90SH (69.57X1.78)	O-RING 2275 NBR 90SH 69,57X1,78
3.5	1		KIT PISTONE 2° STADIO DIAM.60/38MM MCH16	2ND STAGE PISTON D.60/38MM MCH16 KIT
3.6	1		DISTANZIALE 2° STADIO MCH-23	SPACER 2ND STAGE MCH-23
3.7	1		O-RING 3281 NBR 90SH 71,12x2,62	O-RING 3281 NBR 90SH 71,12x2,62
KIT4a	1	13-02-0114/R	KIT PISTONE 2^ STADIO DIAM.60/36MM MCH-13	2ND STAGE PISTON DIA. 60/36MM MCH13 KIT
4.1	1		PISTONE 2^ STADIO DIAM.60/36MM MCH13	2ND STAGE PISTON DIA. 60/36MM MCH13
4.2	4	13-02-0113	SERIE FASCE ELASTICHE D.36MM	PISTON RING DIA. 36MM 2ND STAGE MCH13
4.3	2		SEEGER/ANELLO ELAST.SPIN.PIST.	SEEGER RETAINING RING
4.4	1		SPINOTTO 3° STADIO D.60,36MM	2ND STAGE PIN
4.5	1		PATTINO GUIDA 3^STADIO DIAM.	PUSHING PISTON 60MM. MCH13-16
KIT4b	1	16-02-0114/R	KIT PISTONE 2^ STADIO DIAM.60/38MM MCH16	2ND STAGE PISTON D.60/38MM MCH16 KIT
4.1	1		PISTONE 2^ STADIO DIAM.60/38MM MCH16	2ND STAGE PISTON D.60/38MM MCH16
4.2	4	16-02-0113	SERIE FASCE ELASTICHE D.38MM MCH16	2ND STAGE PISTON RINGS D.38MM MCH/16
4.3	2		SEEGER/ANELLO ELAST.SPIN.PIST.	SEEGER RETAINING RING
4.4	1		SPINOTTO 3° STADIO D.60,36MM	2ND STAGE PIN
4.5	1		PATTINO GUIDA 3^STADIO DIAM.	PUSHING PISTON 60MM. MCH13-16

2° STADIO MCH-8-11-13-16-18-21-23 - 2nd STAGE MCH-8-11-13-16-18-21-23

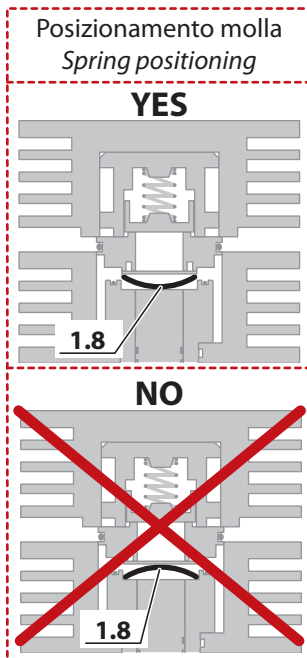


2.1⁽¹⁾ La valvola deve essere stretta con una coppia di serraggio di **65Nm** - *The valve must be tightened with a torque of 65Nm*
 1.4⁽²⁾ La valvola deve essere stretta con una coppia di serraggio di **20Nm** - *The valve must be tightened with a torque of 20Nm*

3° STADIO MCH-8-11-13-16-18 - 3rd STAGE MCH-8-11-13-16-18

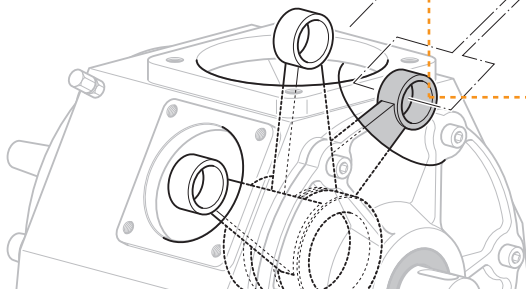
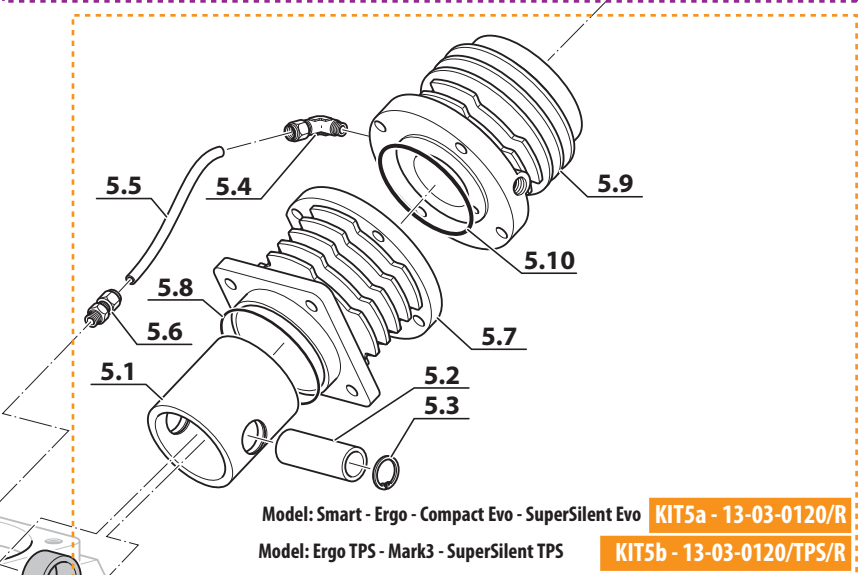
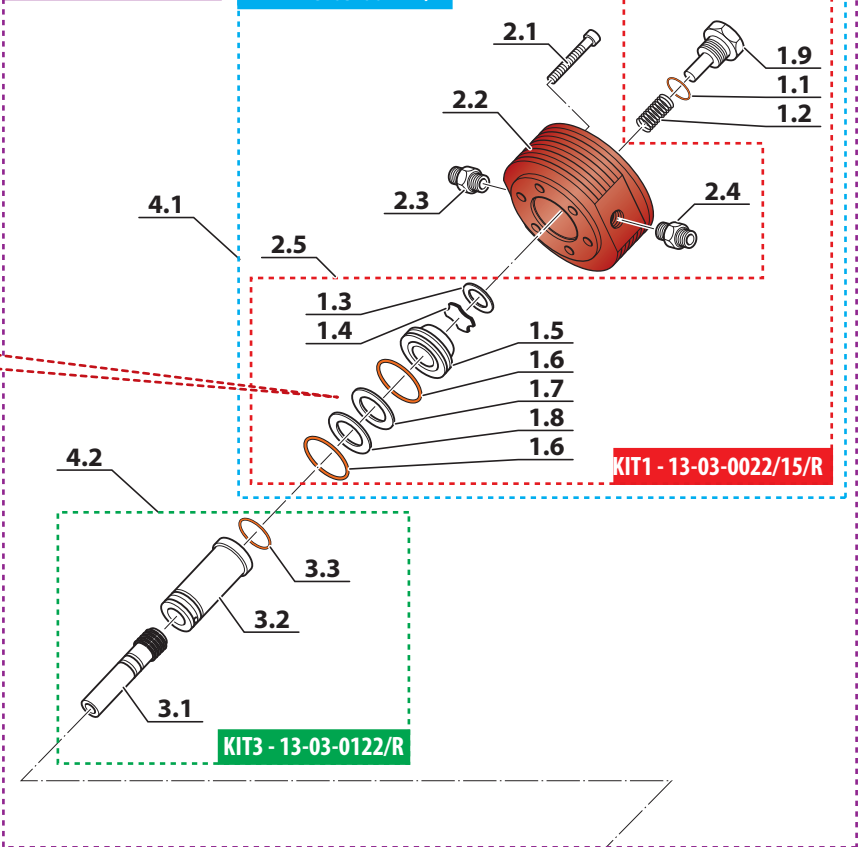
RIF. POS.	Q.TÀ Q.TY	CODICE CODE	DESCRIZIONE	DESCRIPTION
KIT1	1	13-03-0022/15/R	KIT VALVOLA NUOVA TESTA 3°STADIO	SERVICE KIT 3RD STAGE VALVES G3
1.1	1		GUARNIZIONE IN PTFE G500 Ø19x16x1,6mm	GASKET PTFE G500 Ø19x16x1,6mm
1.2	1		MOLLA INOX Ø11X8,6 L. 18,5 FILO 1,2 4° ST. MCH-36	INOX SPRING Ø11X8,6 L. 18,5 WIRE 1,2 4° ST. MCH-36
1.3	1		RONDELLA 1/4 IN RAME	COPPER WASHER 1/4
1.4	1		PIATTELLO A STELLA VALV. SCARICO 3°ST MCH-13-16	STAR PLATE EXHAUST VALVE 3RD STAGE MCH-13-16
1.5	1		CORPO VALVOLA Ø15 3° STADIO MCH-13-16	BODY VALVE 3RD STAGE MCH-13-16
1.6	2		O-RING 2100 VITON 90 (25.12X1.78)	O-RING 2100 VITON 90 (25.12X1.78)
1.7	1		DISCO VALVOLA ASPIRAZIONE MCH36 (24X15,2X1)	DISC VALVE SUCTION MCH36 (24X15,2X1)
1.8	1		MOLLA INOX 24X15,2 H.0,2 4° ST. MCH-36	SPRING INOX 24X15,2 H.0,2 4° ST. MCH-36
1.9	1		PERNO GUIDA VALV. SC. 3°ST MCH-13-16 M16X1,5	SPINDLE SPRING VALVE 3RD STAGE
KIT2	1	13-03-0022-2/R	KIT TESTA NUOVA 3° STADIO MCH-13-16	3RD STAGE NEW HEAD MCH-13-16
2.1	6		VITE T.C.E. INOX 8X45	SCREW T.C.E. INOX 8X45
2.2	1		TESTA NUOVA 3° STADIO MCH-13-16	KIT 3RD STAGE NEW HEAD MCH-13-16
2.3	1		RACCORDO OGIVA TUBO Ø8 - 1/4 NPT	FITTING OGIVE TUBE Ø8 - 1/4 NPT
2.4	1		RACCORDO OGIVA TUBO Ø6 - 1/4 NPT	FITTING OGIVE TUBE Ø6 - 1/4 NPT
2.5	1		KIT VALVOLA NUOVA TESTA 3°STADIO	SERVICE KIT 3RD STAGE VALVES G3
KIT3	1	13-03-0122/R	KIT PISTONE 3° STADIO MCH13/16	PISTON 3RD ST.GE 14 MCH13/16 KIT
3.1	1		PISTONE 3° STADIO Ø14MM MCH-13-16	PISTON 3RD ST.GE Ø14MM MCH-13-16
3.2	1		CIL. 3° STADIO Ø14MM MCH-13-16 VALV. ASP.	3RD STAGE CYL. Ø14MM MCH13/16 SUCTION VALVE
3.3	1		O-RING 2100 VITON 90 (25.12X1.78)	O-RING 2100 VITON 90 (25.12X1.78)
KIT4	1	13-03-0022/15/R	KIT SOSTITUZIONE NUOVA TESTA	NEW HEAD UPGRADE KIT
4.1	1	13-03-0022-2/R	KIT TESTA NUOVA 3° STADIO MCH-13-16	3RD STAGE NEW HEAD MCH-13-16
4.2	1	13-03-0122/R	KIT PISTONE 3° STADIO MCH13/16	PISTON 3RD ST.GE 14 MCH13/16 KIT
KIT5a	1	13-03-0120/R	KIT PATTINO GUIDA 3^ STADIO Ø60	KIT PUSHING PISTON 3RD STAGE Ø60
5.1	1		PATTINO GUIDA 3^STADIO Ø60	PUSHING PISTON 3RD STAGE Ø60
5.2	1		SPINOTTO 3° STADIO D.60,36MM	2ND STAGE PIN
5.3	2		SEEGER/ANELLO ELAST.SPIN.PIST.	SEEGER RETAINING RING
5.4	1		RACCORDO 90° 1/8 NPT	FITTING 90° 1/8 NPT
5.5	1		TUBO VISUALIZZAZIONE LUBRIFIC.	OIL LEVEL INDICATOR
5.6	1		RACC.DIAM. 8 1/8 PER TUBO RILS	CONNECTION .DIAM. 8 1/8 FOR RILS TUBE
5.7	1		CILINDRO INFER. PATTINO GUIDA 60MM 3°ST	LOWER 3RD STAGE 60MM. GUIDING CYLINDER
5.8	1		O-RING 2275 NBR90SH (69.57X1.78)	O-RING 2275 NBR 90SH 69,57X1,78
5.9	1		CILINDRO GUIDA 3°STADIO MCH-13-16 ALLUMINIO	3RD STAGE GUIDING CYLINDER MCH13-16 ALUMINUM
5.10	1		O-RING 3237 NBR90SH (60.00X2.62)	O-RING 3237 NBR 90SH 60X2,62
KIT5b	1	13-03-0120/TPS/R	KIT PATTINO GUIDA 3^ STADIO Ø60 TROPICAL	KIT PUSHING PISTON 3RD STAGE Ø60 TROPICAL
5.1	1		PATTINO GUIDA 3^STADIO Ø60	PUSHING PISTON 3RD STAGE Ø60
5.2	1		SPINOTTO 3° STADIO D.60,36MM	2ND STAGE PIN
5.3	2		SEEGER/ANELLO ELAST.SPIN.PIST.	SEEGER RETAINING RING
5.4	1		RACCORDO 90° 1/8 NPT	FITTING 90° 1/8 NPT
5.5	1		TUBO VISUALIZZAZIONE LUBRIFIC.	OIL LEVEL INDICATOR
5.6	1		RACC.DIAM. 8 1/8 PER TUBO RILS	CONNECTION .DIAM. 8 1/8 FOR RILS TUBE
5.7	1		CILINDRO INFER. PATTINO GUIDA 60MM 3°ST	LOWER 3RD STAGE 60MM. GUIDING CYLINDER
5.8	1		O-RING 2275 NBR90SH (69.57X1.78)	O-RING 2275 NBR 90SH 69,57X1,78
5.9	1		CILINDRO GUIDA 3°STADIO MCH-13-16 TROPICAL	3RD STAGE GUIDING CYLINDER MCH13-16 TROPICAL
5.10	1		O-RING 3237 NBR90SH (60.00X2.62)	O-RING 3237 NBR 90SH 60X2,62

3° STADIO MCH-8-11-13-16-18 - 3rd STAGE MCH-8-11-13-16-18



KIT4 - 13-03-0027/1/R

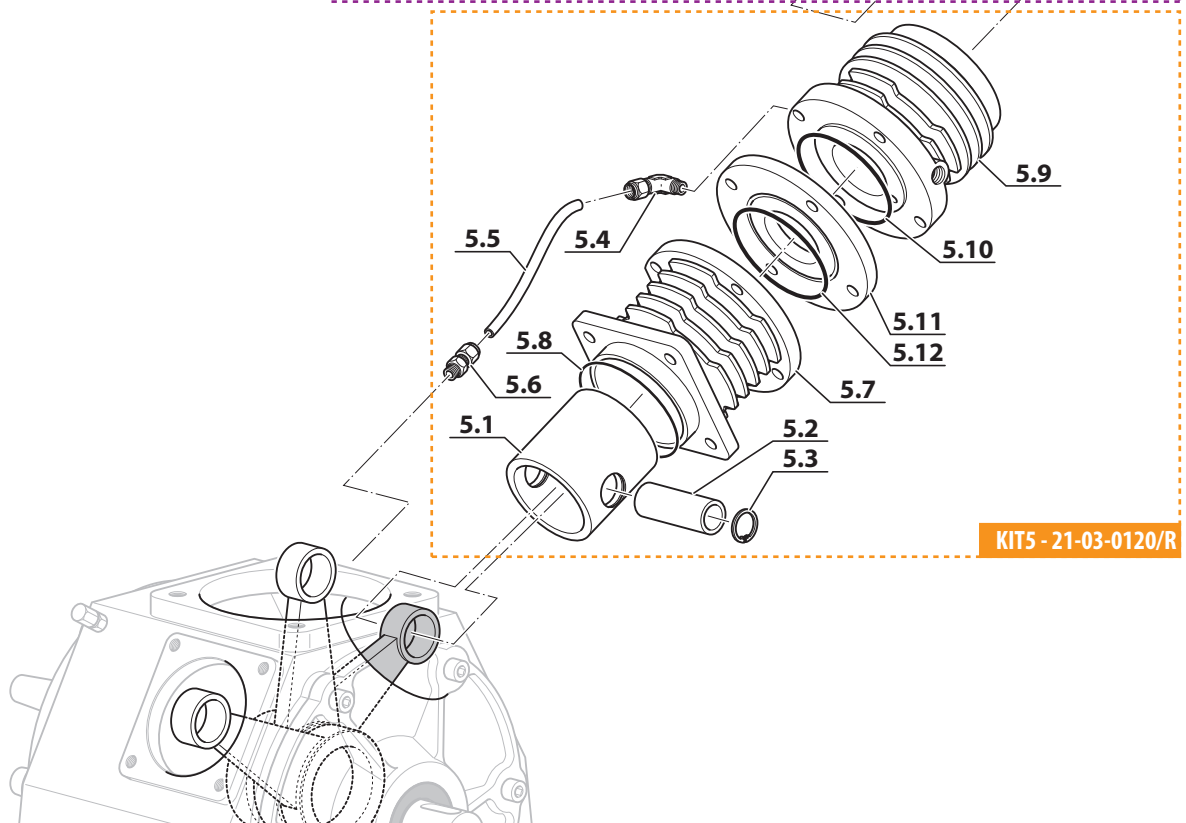
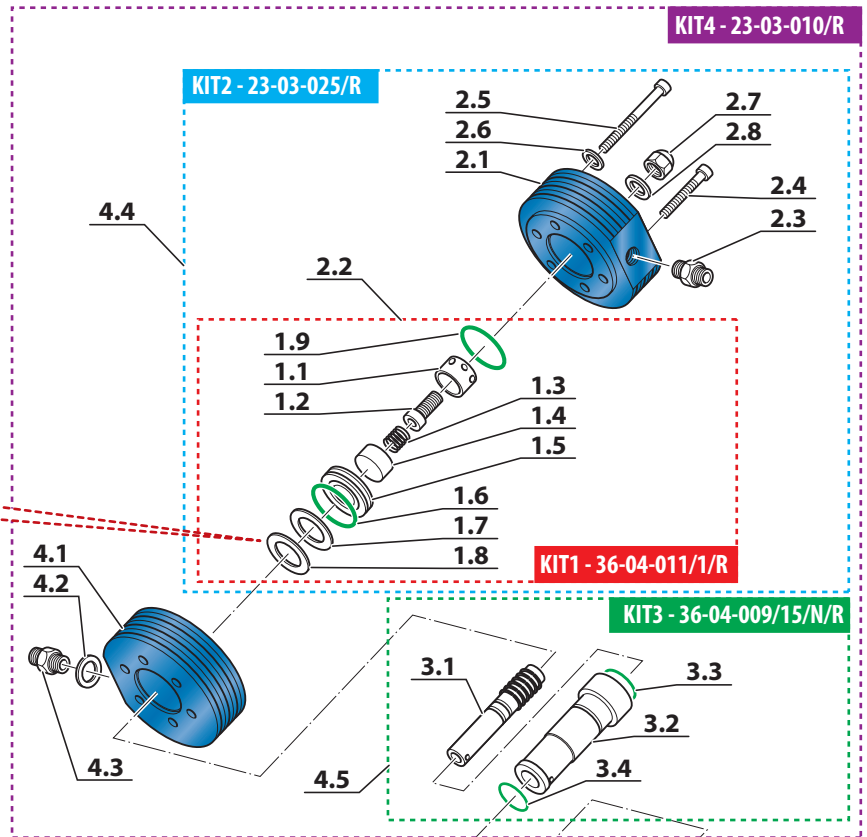
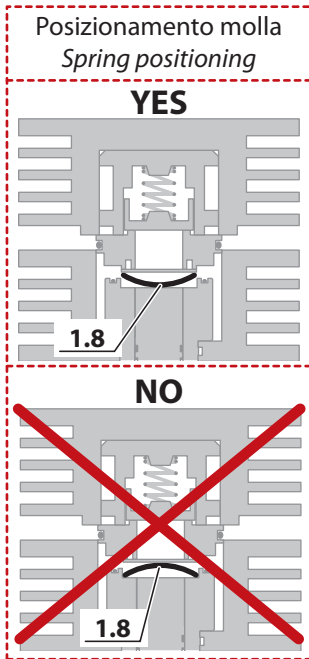
KIT2 - 13-03-0022-2/R



3° STADIO MCH-21-23 - 3rd STAGE MCH-21-23

RIF. POS.	Q.TÀ Q.TY	CODICE CODE	DESCRIZIONE	DESCRIPTION
KIT1	1	36-04-011/1/R	KIT VALVOLA TESTA 4° ST. MCH36	KIT VALVE HEAD 4° ST. MCH36
1.1	1		BUSSOLA GUIDA VALVOLA SCARICO 4° ST. MCH36	GUIDE BUSH DISCHARGE VALVE 4° ST. MCH36
1.2	1		VITE INOX TCEI M8x20	INOX SCREW TCEI M8x20
1.3	1		MOLLA INOX Ø11X8,6 L. 18,5 FILO 1,2 4° ST. MCH-36	SPRING INOX Ø11X8,6 L. 18,5 FILO 1,2 4° ST. MCH-36
1.4	1		PIATTELLO VALV. SCAR. TESTA 4° ST. MCH36	PLATE VALVE DISCHARGE HEAD 4° ST. MCH36
1.5	1		VALVOLA TESTA 4° ST. MCH36	HEAD VALVE 4° ST. MCH36
1.6	1		OR-3137 VITON 90SH (34.60X2.62)	OR-3137 VITON 90SH (34.60X2.62)
1.7	1		DISCO VALVOLA ASP. MCH36 (24X15,2X1)	SUCTION DISK VALVE MCH36 (24X15,2X1)
1.8	1		MOLLA INOX 24X15,2 H.0,2 4° ST. MCH-36	INOX SPRING 24X15,2 H.0,2 4° ST. MCH-36
1.9	1		OR 2100 VITON 90 SH (25,12x1,78)	OR 2100 VITON 90 SH (25,12x1,78)
KIT2	1	23-03-025/R	KIT CALOTTA TESTA 3° STADIO MCH-21 23 NUOVA	KIT NEW 3RD STAGE HEAD COVER
2.1	1		COPERCHIO TESTA 4° ST. MCH-36	4TH STAGE HEAD COVER
2.3	1		RACCORDO OGIVA TUBO Ø6 - 1/4 NPT	FITTING OGIVE TUBE Ø6 - 1/4 NPT
2.4	2		VITE T.C.E. ZINC. 6X40 DIN912	SCREW T.C.E. ZINC. 6X40 DIN912
2.5	6		VITE T.C.E. INOX 8X90	SCREW T.C.E. INOX 8X90
2.6	6		RONDELLA PIANA INOX M8 (8,5x14x1,5)	WASHER M8 INOX DIN125
2.7	1		DADO INOX CIECO M8 DIN 1587	NUT INOX BLIND M8 DIN 1587
2.8	1		RONDELLA RAME M8 (8X14X1,5)	COPPER WASHER M8 (8X14X1,5)
2.9	1		KIT VALVOLA TESTA 4° ST. MCH36	KIT VALVE HEAD 4° ST. MCH36
KIT3	1	36-04-009/15/N/R	KIT CILINDRO 4° ST. Ø15 MCH-36 NUOVO	KIT NEW 4TH STAGE CYLINDER Ø15
3.1	1		PISTONE 4°STADIO Ø15 MCH-36 CON SEGMENTI	4TH STAGE PISTON Ø15 MCH-36 WITH PISTON RINGS
3.2	1		CILINDRO 4° ST. Ø15 MCH-36 NUOVO	NEW 4TH STAGE CYLINDER Ø15
3.3	1		O-RING 2106 VITON 90 SH VERDE (26,7X1,78)	O-RING 2106 VITON 90 SH GREEN (26,7X1,78)
3.4	1		O-RING 2081 VITON 90 SH VERDE (20.35X1.78)	O-RING 2081 VITON 90 SH GREEN (20.35X1.78)
KIT4	1	23-03-010/R	KIT SOSTITUZIONE NUOVA TESTA	NEW HEAD UPGRADE KIT
4.1	1		TESTATA 4° STADIO MCH-36 NUOVA	NEW HEAD 4TH STAGE MCH-36
4.2	1		RONDELLA RAME 3/8 (17X23X1.5)	COPPER WASHER 3/8 (17X23X1.5)
4.3	1		RACCORDO 3/8 GAS TUBO ERMETO Ø8	FITTING ERMETO G3/8 TUBE Ø8
4.4	1		KIT CALOTTA TESTA 4° STADIO MCH-36 NUOVA	KIT NEW 4TH STAGE HEAD COVER
4.5	1		KIT CILINDRO 4° ST. Ø15 MCH-36 NUOVO	KIT NEW 4TH STAGE CYLINDER Ø15
KIT5	1	21-03-0120/R	KIT PATTINO GUIDA 3[^] STADIO Ø60 MCH-21-23	KIT PUSHING PISTON 3RD STAGE Ø60 MCH-21-23
5.1	1		PATTINO GUIDA 3 [^] STADIO Ø60	PUSHING PISTON 3RD STAGE Ø60
5.2	1		SPINOTTO 3° STADIO D.60,36MM	2ND STAGE PIN
5.3	2		SEEGER/ANELLO ELAST.SPIN.PIST.	SEEGER RETAINING RING
5.4	1		RACCORDO 90° 1/8 NPT	FITTING 90° 1/8 NPT
5.5	1		TUBO VISUALIZZAZIONE LUBRIFIC.	OIL LEVEL INDICATOR
5.6	1		RACC.DIAM. 8 1/8 PER TUBO RILS	CONNECTION .DIAM. 8 1/8 FOR RILS TUBE
5.7	1		CILINDRO INFER. PATTINO GUIDA 60MM 3°ST	LOWER 3RD STAGE 60MM. GUIDING CYLINDER
5.8	1		O-RING 2275 NBR90SH (69.57X1.78)	O-RING 2275 NBR 90SH 69,57X1,78
5.9	1		CILINDRO GUIDA 3°STADIO MCH-23	3RD STAGE GUIDING CYLINDER MCH-23
5.10	1		O-RING 3237 NBR90SH (60.00X2.62)	O-RING 3237 NBR 90SH 60X2,62
5.11	1		DISTANZIALE 3° STADIO MCH-23	SPACER 3RD STAGE MCH-23
5.12	1		O-RING 3281 NBR 90SH 71,12x2,62	O-RING 3281 NBR 90SH 71,12x2,62

3° STADIO MCH-21-23 - 3rd STAGE MCH-21-23

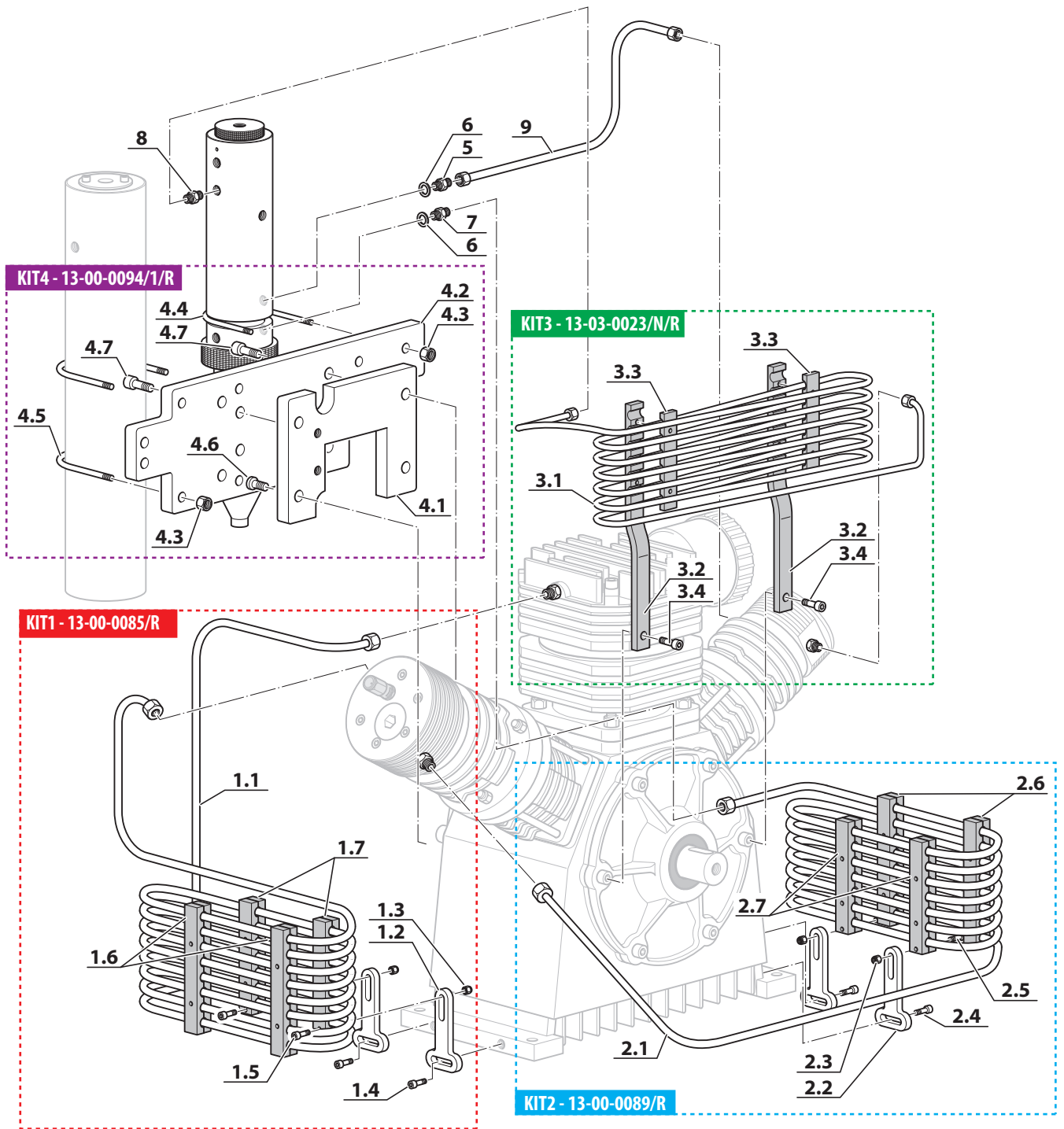


CIRCUITO DI PRESSIONE - PRESSURE CIRCUIT

Linea Efficient MCH-8-11-13-16-18 - MCH-8-11-13-16-18

RIF. POS.	Q.TÀ Q.TY	CODICE CODE	DESCRIZIONE	DESCRIPTION
KIT1	1	13-00-0085/R	KIT TUBO RAFFREDDAMENTO 10MM 1°-2°ST.	1ST-2ND STAGE 10MM COOLING PIPE KIT
1.1	1		TUBO RAFFRED.10MM 1°-2°ST.	1ST-2ND STAGE 10MM COOLING PIPE
1.2	2		STAFFA PORTATUBO ZINC. 45X15MMMCH13/16	PIPE HOLDING BRACKET 45X15MMMCH13/16
1.3	2		DADO INOX AUTOBLOC. M6 ALTO	SELF LOCKING NUT M6 HIGH INOX
1.4	2		VITE T.C.E. 6X20 INOX DIN 4762	SCREW T.C.E. 6X20 INOX DIN 4762
1.5	2		VITE T.C.E. 6X35 INOX DIN 4762	SCREW T.C.E. 6X35 INOX DIN 4762
1.6	4		SEMISTAFFA FERMATUBO D.10 2 FORI 8 SEDI	2 HOLE PIPE-HOLDING BRACKET
1.7	4		SEMISTAFFA FERMATUBO D.10 3 FORI 7 SEDI	3 HOLE PIPE-HOLDING BRACKET
KIT2	1	13-00-0089/R	KIT TUBO RAFFREDDAMENTO 10MM 2°-3°ST.	2ND-1ST STAGE 10MM COOLING PIPE KIT
2.1	1		TUBO RAFFR.10MM 2°/3°ST. (F)	2ND-3RD STAGE 10MM COOLING PIPE KIT
2.2	2		STAFFA PORTATUBO ZINC. 75X15MM	PIPE HOLDING BRACKET 75X15MM. MCH13/16
2.3	2		DADO INOX AUTOBLOC. M6 ALTO	SELF LOCKING NUT M6 HIGH INOX
2.4	2		VITE T.C.E. 6X20 INOX DIN 4762	SCREW T.C.E. 6X20 INOX DIN 4762
2.5	2		VITE T.C.E. 6X35 INOX DIN 4762	SCREW T.C.E. 6X35 INOX DIN 4762
2.6	4		SEMISTAFFA FERMATUBO D.10 2 FORI 8 SEDI	2 HOLE PIPE-HOLDING BRACKET
2.7	4		SEMISTAFFA FERMATUBO D.10 3 FORI 7 SEDI	3 HOLE PIPE-HOLDING BRACKET
KIT3	1	13-03-0023/N/R	KIT TUBO RAFFREDAMENTO 6MM 3°-SEPARATORE	3RD-SEPARATOR 6MM COOLING PIPE KIT
3.1	1		TUBO RAFFREDAM.TO DIAM. 6 (C)	6MM COOLING PIPE 3RD-SEPARATOR
3.2	2		STAFFA PORTATUBO 6MM H200	PIPE-HOLDING BRACKET 6MM H200
3.3	2		STAFFA PORTATUBO 6MM	PIPE-HOLDING BRACKET 6MM
3.4	2		VITE T.C.E. 8X30 INOX	SCREW T.C.E. 8X30 INOX
KIT4	1	13-00-0094/1/R	KIT PIASTRA PORTAFILTRI MCH13/16 ZINCA. CON BECCO	KIT HOLD-FILTERS PLATE MCH13/16
4.1	1		CONTROPIASTRA PORTAFILTRO MCH13-16	COUNTER FILTERS PLATE MCH13/16
4.2	1		PIASTRA PORTAFILTRI MCH-13/16/23	HOLD-FILTERS PLATE MCH-13/16/23
4.3	6		DADO INOX AUTOBLOCCANTE M8	SELF-LOCKING INOX NUT M8
4.4	1		STAFFA PORTASEPARATORE	SEPARATOR CLAMP
4.5	2		STAFFA PORTAFILTRO MCH13-16	FILTER HOLDING BRACKET MCH13/16
4.6	2		VITE TCEI 8X20 INOX	SCREW TCEI 8X20 INOX
4.7	4		VITE TCEI 8X35 INOX	SCREW TCEI 8X35 INOX
5	1	13-00-0175E/X	RACCORDO ERMETO G1/4-M14X1.5	FITTING ERMETO G1/4-M14X1.5
6	2	GUAR1319	RONDELLA 1/4 IN RAME	COPPER WASHER 1/4
7	1	13-00-0026E	RACCORDO 1/4 G -TUBO 10MM DIRITTO ERMETO	STRAIGHT FITTING 1/4 G -TUBO 10MM ERMETO
8	1	13-00-0174E/X	RACCORDO OGIVA TUBO Ø6 M12X1,5 - 1/8 NPT	FITTING OGIVE TUBE Ø6 M12X1,5 - 1/8 NPT
9	1	13-00-0036/N/P	TUBO 8MM COLLEG.SEP/3° ST.(D)	TUBE 8MM. 3RD STAGE/SEPARATOR(D) MCH13/16

CIRCUITO DI PRESSIONE - PRESSURE CIRCUIT
Linea Efficient MCH-8-11-13-16-18 - Efficient Line MCH-8-11-13-16-18

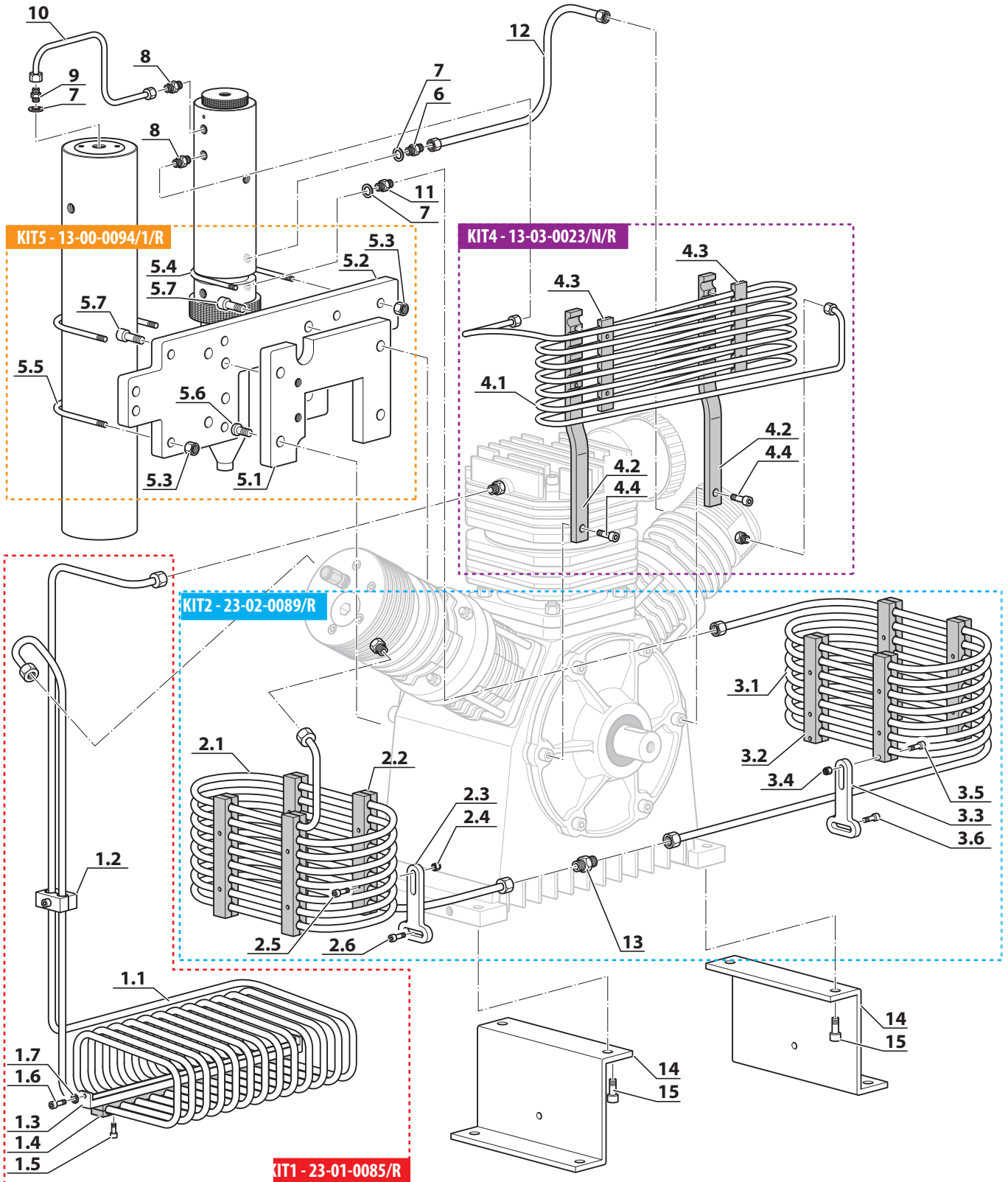


CIRCUITO DI PRESSIONE - PRESSURE CIRCUIT

Linea Prime MCH-13-16 TPS - Prime Line MCH-13-16 TPS

RIF. POS.	Q.TÀ Q.TY	CODICE CODE	DESCRIZIONE	DESCRIPTION
KIT1	1	23-01-0085/R	KIT TUBO RAFFREDDAMENTO 12MM 1°-2° MCH-13-16 TPS	KIT COOLING PIPE 12MM 1ST-2ND MCH-13-16 TPS
1.1	1		TUBO RAFFR. 12mm 1°-2° MCH-16/23	COOLING PIPE 12MM 1ST-2ND MCH-16/23
1.2	2		STAFFA FERMATUBO D. 12 DUE VIE X TROPICAL	2 HOLE PIPE-HOLDING BRACKET
1.3	1		STAFFA FERMATUBO 1° STADIO MCH-23	PIPE-HOLDING BRACKET 1ST STAGE MCH-23
1.4	1		SEMISTAFFA FERMATUBO 11 FORI Ø12 MCH-23	PIPE-HOLDING BRACKET 11 HOLE Ø12 MCH-23
1.5	4		VITE INOX TCEI M6X35	INOX SCREW TCEI M6X35
1.6	2		VITE INOX TCEI M6X20	INOX SCREW TCEI M6X20
1.7	2		RONDELLA INOX S6x12	INOX WASHER S6x12
KIT2	1	23-02-0089/R	KIT TUBO RAFFREDDAMENTO 12MM 2°-SEP MCH-16/23 1/2	KIT COOLING PIPE 12MM 2ND-SEPARATOR MCH-16/23 1/2
2.1	1		TUBO RAFFR. 12mm 2°-SEPARATORE MCH-16/23 1/2	COOLING PIPE 12MM 2ND-SEPARATOR MCH-16/23 1/2
2.2	8		SEMISTAFFA FERMATUBO D.12 2 FORI 8 SEDI	2 HOLE PIPE-HOLDING BRACKET
2.3	2		STAFFA PORTATUBO ZINC. 75X15MM	PIPE HOLDING BRACKET 75X15MM. MCH13/16
2.4	8		DADO INOX AUTOBLOC. M6 ALTO	INOX SELF LOCKING NUT M6 HIGH
2.5	6		VITE INOX 6X30 TCEI	INOX SCREW 6X30 TCEI
2.6	2		VITE INOX 6X20 TCEI	INOX SCREW 6X20 TCEI
3.1	1		TUBO RAFFR. 12mm 2°-SEPARATORE MCH-16/23 2/2	COOLING PIPE 12MM 2ND-SEPARATOR MCH-16/23 2/2
3.2	8		SEMISTAFFA FERMATUBO D.12 2 FORI 8 SEDI	2 HOLE PIPE-HOLDING BRACKET
3.3	2		STAFFA PORTATUBO ZINC. 75X15MM	PIPE HOLDING BRACKET 75X15MM. MCH13/16
3.4	8		DADO INOX AUTOBLOC. M6 ALTO	INOX SELF LOCKING NUT M6 HIGH
3.5	6		VITE INOX 6X30 TCEI	INOX SCREW 6X30 TCEI
3.6	2		VITE INOX 6X20 TCEI	INOX SCREW 6X20 TCEI
KIT4	1	13-03-0023/N/R	KIT TUBO RAFFREDDAMENTO 6MM 3°-SEPARATORE	3RD-SEPARATOR 6MM COOLING PIPE KIT
4.1	1		TUBO RAFFREDAM.TO DIAM. 6 (C)	6MM COOLING PIPE 3RD-SEPARATOR
4.2	2		STAFFA PORTATUBO 6MM H200	PIPE-HOLDING BRACKET 6MM H200
4.3	2		STAFFA PORTATUBO 6MM	PIPE-HOLDING BRACKET 6MM
4.4	2		VITE T.C.E. 8X30 INOX	SCREW T.C.E. 8X30 INOX
KIT5	1	13-00-0094/1/R	KIT PIASTRA PORTAFILTRI MCH13/16 ZINCA. CON BECCO	KIT HOLD-FILTERS PLATE MCH13/16
5.1	1		CONTROPIASTRA PORTAFILTRO MCH13-16	COUNTER FILTERS PLATE MCH13/16
5.2	1		PIASTRA PORTAFILTRI MCH-13/16/23	HOLD-FILTERS PLATE MCH-13/16/23
5.3	6		DADO INOX AUTOBLOCCANTE M8	SELF-LOCKING INOX NUT M8
5.4	1		STAFFA PORTASEPARATORE	SEPARATOR CLAMP
5.5	2		STAFFA PORTAFILTRO MCH13-16	FILTER HOLDING BRACKET MCH13/16
5.6	2		VITE TCEI 8X20 INOX	SCREW TCEI 8X20 INOX
5.7	4		VITE TCEI 8X35 INOX	SCREW TCEI 8X35 INOX
6	1	13-00-0175E	RACC. 1/4 G TUBO 8 MM	1/4 G TUBE 8MM FITTING
7	2	GUAR1319	RONDELLA 1/4 IN RAME	COPPER WASHER 1/4
8	2	13-00-0174E/X	RACCORDO OGIVA TUBO Ø6 M12X1,5 - 1/8 NPT	FITTING OGIVE TUBE Ø6 M12X1,5 - 1/8 NPT
9	1	13-00-0025E/X	RACCORDO ERMETO G1/4-12x1.5 TUBO Ø6	FITTING ERMETO G1/4-12x1.5 TUBE Ø6
10	1	23-04-0001/P	TUBO SEP-SEP Ø6MM INOX	TUBT SEP-SEP Ø6MM INOX
11	1	13-02-0048E	RACCORDO G 1/4 - M18X1,5 TUBO Ø12	FITTING 1/4 - M18X1,5 TUBE Ø12
12	1	13-00-0036/N/P	TUBO 8MM COLLEG.SEP/3° ST.(D)	TUBE 8MM SEP/3° ST.(D)
13	1	23-00-0200	RACCORDO UNION M18x1.5 TUBO Ø12	FITTING UNION M18x1.5 TUBE Ø12
14	2	23-00-0050	SUPPORTO MONOBLOCCO A S	S BRACKET CRANKCASE
15	4	VITE0830	VITE TCEI 8X30 INOX	SCREW TCEI 8X30 INOX

CIRCUITO DI PRESSIONE - PRESSURE CIRCUIT
Linea Prime MCH-13-16 TPS - Prime Line MCH-13-16 TPS

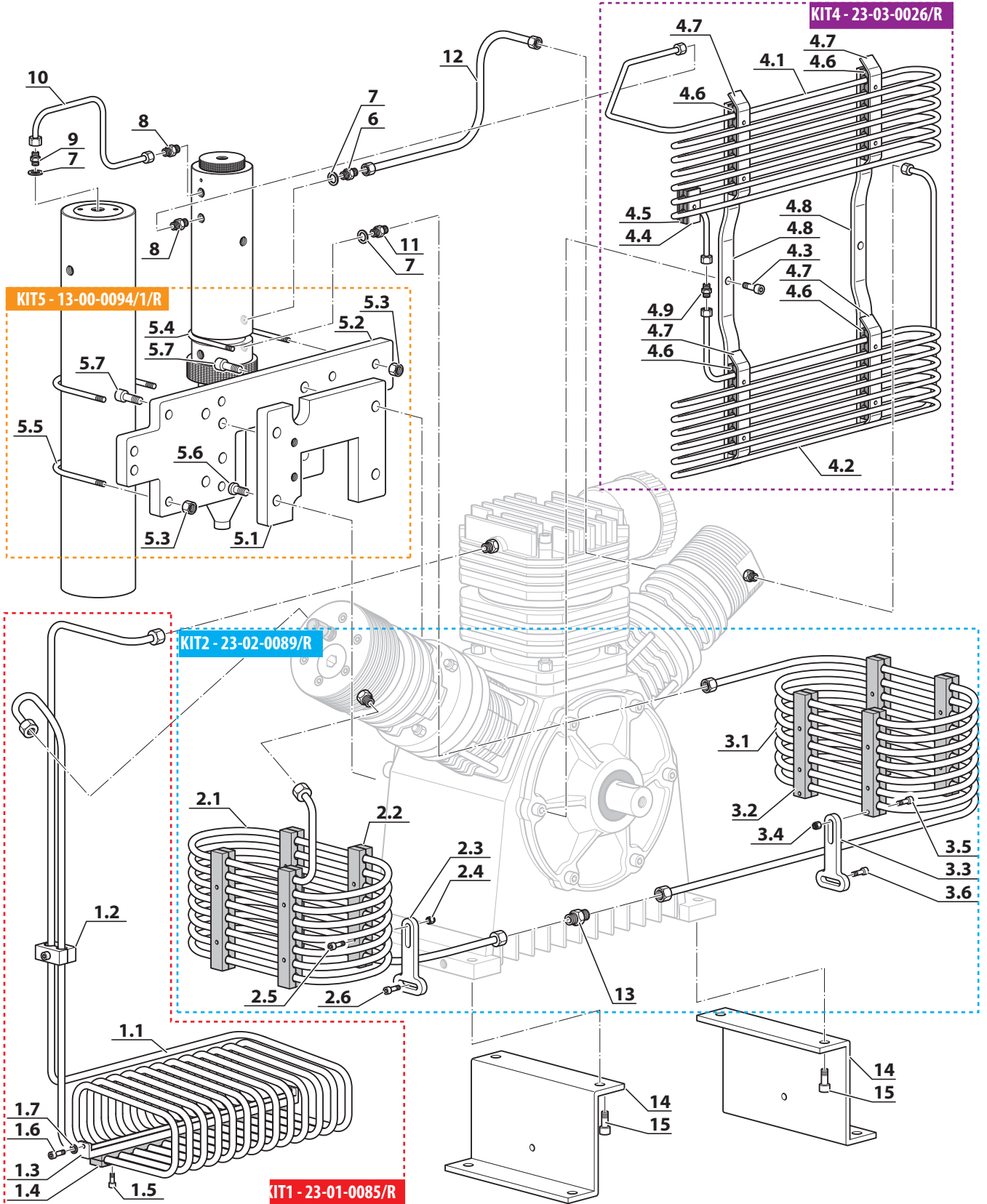


CIRCUITO DI PRESSIONE - PRESSURE CIRCUIT

Linea Prime MCH-21-23 TPS - Prime Line MCH-21-23 TPS

RIF. POS.	Q.TÀ Q.TY	CODICE CODE	DESCRIZIONE	DESCRIPTION
KIT1	1	23-01-0085/R	KIT TUBO RAFFREDDAMENTO 12MM 1°-2° MCH-13-16 TPS	KIT COOLING PIPE 12MM 1ST-2ND MCH-13-16 TPS
1.1	1		TUBO RAFFR. 12mm 1°-2° MCH-16/23	COOLING PIPE 12MM 1ST-2ND MCH-16/23
1.2	2		STAFFA FERMATUBO D. 12 DUE VIE X TROPICAL	2 HOLE PIPE-HOLDING BRACKET
1.3	1		STAFFA FERMATUBO 1° STADIO MCH-23	PIPE-HOLDING BRACKET 1ST STAGE MCH-23
1.4	1		SEMISTAFFA FERMATUBO 11 FORI Ø12 MCH-23	PIPE-HOLDING BRACKET 11 HOLE Ø12 MCH-23
1.5	4		VITE INOX TCEI M6X35	INOX SCREW TCEI M6X35
1.6	2		VITE INOX TCEI M6X20	INOX SCREW TCEI M6X20
1.7	2		RONDELLA INOX S6x12	INOX WASHER S6x12
KIT2	1	23-02-0089/R	KIT TUBO RAFFREDDAMENTO 12MM 2°-SEP MCH-16/23 1/2	KIT COOLING PIPE 12MM 2ND-SEPARATOR MCH-16/23 1/2
2.1	1		TUBO RAFFR. 12mm 2°-SEPARATORE MCH-16/23 1/2	COOLING PIPE 12MM 2ND-SEPARATOR MCH-16/23 1/2
2.2	8		SEMISTAFFA FERMATUBO D.12 2 FORI 8 SEDI	2 HOLE PIPE-HOLDING BRACKET
2.3	2		STAFFA PORTATUBO ZINC. 75X15MM	PIPE HOLDING BRACKET 75X15MM. MCH13/16
2.4	8		DADO INOX AUTOBLOC. M6 ALTO	INOX SELF LOCKING NUT M6 HIGH
2.5	6		VITE INOX 6X30 TCEI	INOX SCREW 6X30 TCEI
2.6	2		VITE INOX 6X20 TCEI	INOX SCREW 6X20 TCEI
3.1	1		TUBO RAFFR. 12mm 2°-SEPARATORE MCH-16/23 2/2	COOLING PIPE 12MM 2ND-SEPARATOR MCH-16/23 2/2
3.2	8		SEMISTAFFA FERMATUBO D.12 2 FORI 8 SEDI	2 HOLE PIPE-HOLDING BRACKET
3.3	2		STAFFA PORTATUBO ZINC. 75X15MM	PIPE HOLDING BRACKET 75X15MM. MCH13/16
3.4	8		DADO INOX AUTOBLOC. M6 ALTO	INOX SELF LOCKING NUT M6 HIGH
3.5	6		VITE INOX 6X30 TCEI	INOX SCREW 6X30 TCEI
3.6	2		VITE INOX 6X20 TCEI	INOX SCREW 6X20 TCEI
KIT4	1	23-03-0026/R	TUBO RAFFREDDAMENTO 6MM 3°-SEPE MCH-16/23 1/2	3RD-SEPARATOR 6MM COOLING PIPE KIT
4.1	1		TUBO RAFFREDDAMENTO 6MM 3°-SEP.MCH-16/23 1/2	COOLING PIPE 6MM 3°-SEP. MCH-16/23 1/2
4.2	1		TUBO RAFFREDDAMENTO 6MM 3°-SEP. MCH-16/23 2/2	COOLING PIPE 6MM 3°-SEP. MCH-16/23 2/2
4.3	2		VITE INOX TCEI 8X30	INOX SCREW 8X30 TCEI
4.4	1		STAFFA SINGOLA PORTATUBO 6MM	SINGLE BRACKET PIPE 6MM
4.5	2		GOMMINO ANTIVIBRANTE 2 FORI TUBO 6MM	ANTI VIBRATION BLOCK 2 HOLE PIPE 6MM
4.6	16		GOMMINO ANTIVIBRANTE 7 FORI TUBO 6MM	ANTI VIBRATION BLOCK 7 HOLE PIPE 6MM
4.7	4		STAFFA DOPPIA PORTATUBO 6MM	DOUBLE BRACKET PIPE 6MM
4.8	2		STAFFA PORTATUBO 6MM 3° STADIO	BRACKET PIPE 6MM 3RD STAGE
4.9	1		RACCORDO M12x1.5 TUBO Ø6	FITTING M12x1.5 TUBO Ø6
KIT5	1	13-00-0094/1/R	KIT PIASTRA PORTAFILTRI MCH13/16 ZINCA. CON BECCO	KIT HOLD-FILTERS PLATE MCH13/16
5.1	1		CONTROPIASTRA PORTAFILTRO MCH13-16	COUNTER FILTERS PLATE MCH13/16
5.2	1		PIASTRA PORTAFILTRI MCH-13/16/23	HOLD-FILTERS PLATE MCH-13/16/23
5.3	6		DADO INOX AUTOBLOCCANTE M8	SELF-LOCKING INOX NUT M8
5.4	1		STAFFA PORTASEPARATORE	SEPARATOR CLAMP
5.5	2		STAFFA PORTAFILTRO MCH13-16	FILTER HOLDING BRACKET MCH13/16
5.6	2		VITE TCEI 8X20 INOX	SCREW TCEI 8X20 INOX
5.7	4		VITE TCEI 8X35 INOX	SCREW TCEI 8X35 INOX
6	1	13-00-0175E	RACC. 1/4 G TUBO 8 MM	1/4 G TUBE 8MM FITTING
7	2	GUAR1319	RONDELLA 1/4 IN RAME	COPPER WASHER 1/4
8	2	13-00-0174E/X	RACCORDO OGIVA TUBO Ø6 M12X1,5 - 1/8 NPT	FITTING OGIVE TUBE Ø6 M12X1,5 - 1/8 NPT
9	1	13-00-0025E/X	RACCORDO ERMETO G1/4-12x1.5 TUBO Ø6	FITTING ERMETO G1/4-12x1.5 TUBE Ø6
10	1	23-04-0001/P	TUBO SEP-SEP Ø6MM INOX	TUBT SEP-SEP Ø6MM INOX
11	1	13-02-0048E	RACCORDO G 1/4 - M18X1,5 TUBO Ø12	FITTING 1/4 - M18X1,5 TUBE Ø12
12	1	13-00-0036/N/P	TUBO 8MM COLLEG.SEP/3° ST.(D)	TUBE 8MM SEP/3° ST.(D)
13	1	23-00-0200	RACCORDO UNION M18x1.5 TUBO Ø12	FITTING UNION M18x1.5 TUBE Ø12
14	2	23-00-0050	SUPPORTO MONOBLOCCO A S	S BRACKET CRANKCASE
15	4	VITE0830	VITE TCEI 8X30 INOX	SCREW TCEI 8X30 INOX

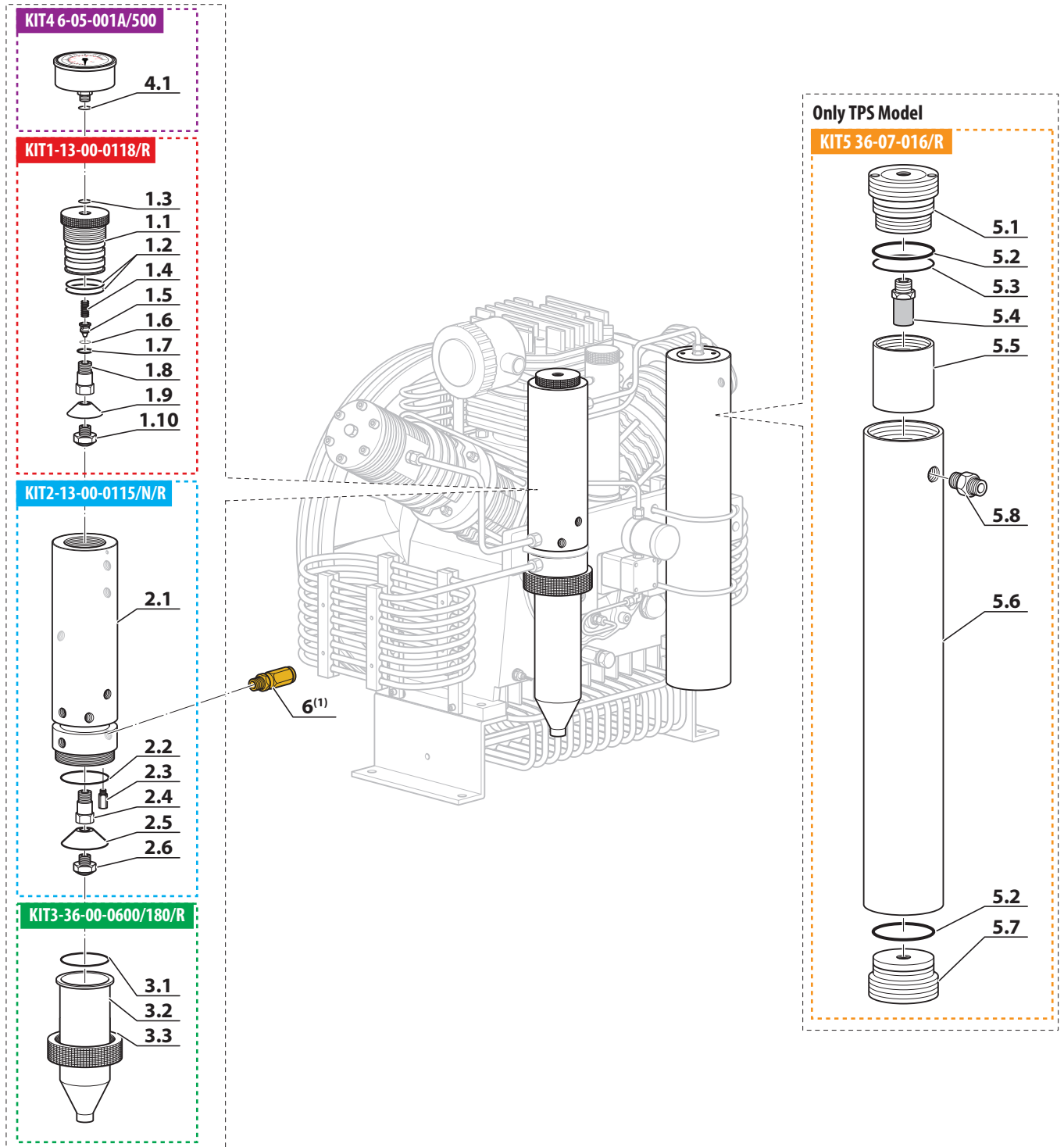
CIRCUITO DI PRESSIONE - PRESSURE CIRCUIT
Linea Prime MCH-21-23 TPS - Prime Line MCH-21-23 TPS



SEPARATORE DI CONDENSA - CONDENSATE SEPARATOR

RIF. POS.	Q.TÀ Q.TY	CODICE CODE	DESCRIZIONE	DESCRIPTION
KIT1	1	13-00-0118/R	KIT TAPPO SEPARATORE	CONDENSATE SEPARATOR PLUG KIT
1.1	1		TAPPO SEPARATORE MCH13/16	CONDENSATE SEPARATOR PLUG
1.2	2		O RING 4143 NBR 90 (36,1X3,53)	O RING 4143 NBR 90 (36,1X3,53)
1.3	1		O RING 2018 NBR 90	O RING 2018 NBR 90
1.4	1		MOLLA VALVOLA DI NON RITORNO	CHECK VALVE SPRING
1.5	1		PISTONE VALVOLA DI NON RITORNO	CHECK VALVE PISTON
1.6	1		O RING 2021 NBR 90(5,28X1.78)	O RING 2021 NBR 90(5,28X1.78)
1.7	1		O RING 114 NBR 90 (11.11X1.78)	O RING 114 NBR 90 (11.11X1.78)
1.8	1		RACC. PORTAFILTRO SEP. NUOVO MCH-13/16	MCH-13/16 SEPARATOR FITTING
1.9	1		RONDELLA Ø38 C/F Ø12.5 IN ALL. SP 1MM	WASHER Ø38 C/F Ø12.5 IN ALL. SP 1MM
1.10	1		SILENZIATORE 1/4 E90A4003	SILENCER 1/4 E90A4003
KIT2	1	13-00-0115/N/R	KIT CORPO SEPARATORE MCH13/16 NUOVO	NEW SEPARATOR BODY MCH13/16 KIT
2.1	1		CORPO SEPARATORE MCH13/16 NUOVO	NEW SEPARATOR BODY MCH13/16
2.2	1		O-RING 2212 NBR90 (53.67X1.78)MCH36	O-RING 2212 NBR90 (53.67X1.78)MCH36
2.3	1		DIFFUSORE SEPARATORE DI CONDENSA MCH13/16	NEW CONDENSATE SEPARATOR DIFFUSER MCH13/16
2.4	1		RACC. PORTAFILTRO SEP. NUOVO MCH-13/16	MCH-13/16 SEPARATOR FITTING
2.5	1		RONDELLA DIAM. 48 C/F D.12,5 IN ALL. SP. 1	D48 C/F D.12,5 IN ALL. SP. 1 WASHER
2.6	1		SILENZIATORE 1/4 E90A4003	SILENCER 1/4 E90A4003
KIT3	1	36-00-0600/180/R	KIT SEPARATORE DIAM. 54 AISI 316L LUNGH. 180MM	D 54 AISI 316L LUNGH. 180MM SEPARATOR KIT
3.1	1		O-RING 2212 NBR90 (53.67X1.78)MCH36	O-RING 2212 NBR90 (53.67X1.78)MCH36
3.2	1		SEPARATORE DIAM. 54 AISI 316L LUNGH. 180MM	D 54 AISI 316L LUNGH. 180MM SEPARATOR
3.3	1		GHIERA SEPARATORE MCH36	SEPARATOR NUT MCH36
KIT4	1	6-05-001A/500	MAN.0-500 BAR/PSI SENZA FLANGIA	MANOMETER 0-500 BAR MCH/6
4.1	1	OR-2018/90	O RING 2018 NBR 90	O RING 2018 NBR 90
KIT5	1	36-07-016/R	KIT SEPARATORE	KIT CONDENSATE DISCHARGE
5.1	1		TAPPO SUPERIORE SEPARATORE 4°STADIO	4TH STAGE SEPARATOR UPPER PLUG
5.2	2		O-RING 6162 NBR90SH (40.65X5,33)	O-RING 6162 NBR90SH (40.65X5,33)
5.3	1		O-RING 3137 NBR90SH (34.60X2.62)	O-RING 3137 NBR90SH (34.60X2.62)
5.4	1		FILTRO SEPARATORE 4°STADIO	4TH STAGE SEPARATOR FILTER
5.5	1		TUBO TAPPO SUPERIORE SEPARATORE 4°STADIO	4TH STAGE SEPARATOR UPPER PLUG PIPE
5.6	1		CORPO SEPARATORE 4°STADIO	4TH STAGE SEPARATOR BODY
5.7	1		TAPPO INFERIORE SEPARATORE 4°STADIO	4TH STAGE SEPARATOR LOWER PLUG
5.8	1		RACCORDO 1/4 GAS - 1/4 NPT	FITTING 1/4 GAS - 1/4 NPT
6	1	13-00-0206	VALVOLA SICUREZZA 2° STADIO 70BAR	2ND STAGE SAFETY VALVE 70BAR

SEPARATORE DI CONDENZA - CONDENSATE SEPARATOR

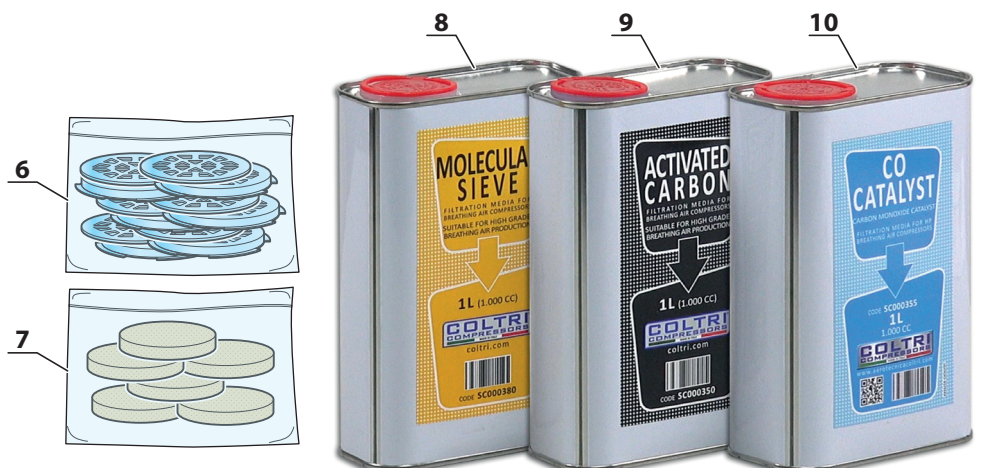
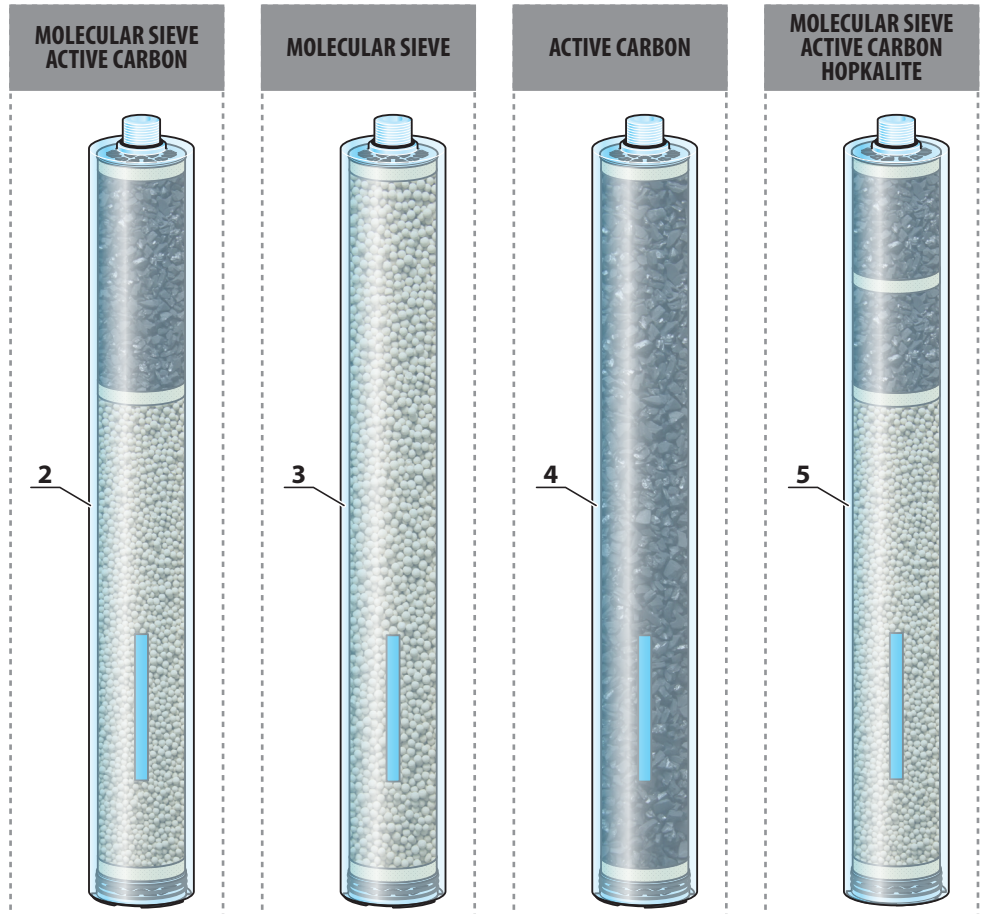
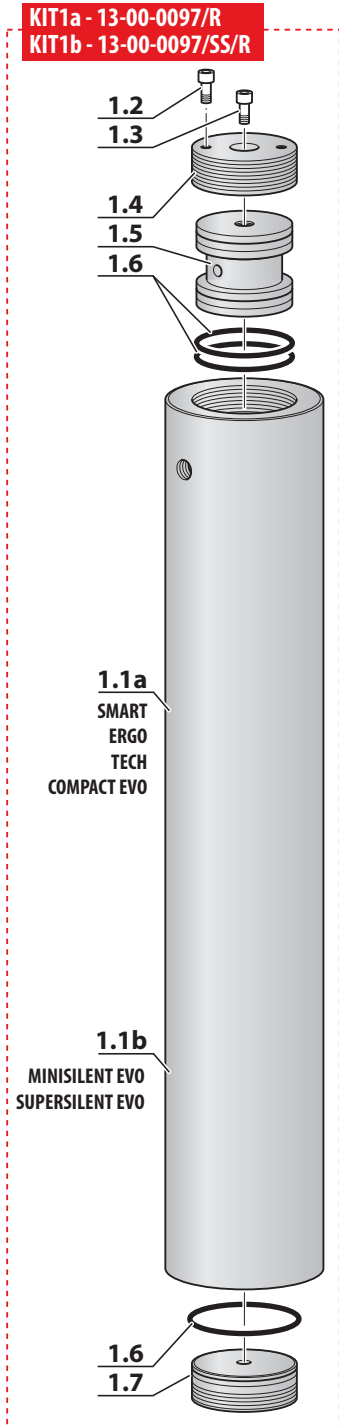


6⁽¹⁾ La valvola deve essere stretta con una coppia di serraggio di **20Nm** - The valve must be tightened with a torque of **20Nm**

MAXIFILTRO DEPURATORE - MAXIFILTER PURIFIER

RIF. POS.	Q.TÀ Q.TY	CODICE CODE	DESCRIZIONE	DESCRIPTION
KIT1a	1	13-00-0097/R	KIT MAXIFILTRO	MAXIFILTER KIT
KIT1b	1	13-00-0097/SS/R	KIT MAXIFILTRO SUPER SILENT EVO	SUPER SILENT EVO MAXIFILTER KIT
1.1a	1		CORPO MAXI FILTRO	MAXI FILTER BODY
1.1b	1		CORPO MAXI FILTRO PER SUPER SILENT EVO	MAXI FILTER BODY FOR SUPER SILENT EVO
1.2	2		VITE T.C.E. INOX 8X12	SCREW T.C.E. INOX 8X12
1.3	1		VITE T.C.E. INOX 8X30	SCREW T.C.E. INOX 8X30
1.4	1		TAPPO SUPERIORE FILTRO	UPPER FILTER CAP
1.5	1		TAPPO INTERNO FILTRO	INTERNAL FILTER CAP
1.6	3		O-RING 6162 NBR90 (40.65X5,33)	O-R CAP FILTER
1.7	1		TAPPO INFERIORE FILTRO MCH 13/16	LOWER FILTER CAP
2	1	SC000440/PP	CARTUCCIA MAXIFILTER CARB. ATT./SET. MOL.	MAXIFILTER A. CARBON /M. SIEVE CARTRIDGE
3	1	SC000440/PP/SM	CARTUCCIA MAXIFILTER SETACCIO MOLECOLARE	MAXIFILTER MOLECULAR SIEVE CARTRIDGE
4	1	SC000440/PP/CARB	CARTUCCIA MAXIFILTER CARBONE ATTIVO	MAXIFILTER ACTIVE CARBON CARTRIDGE
5	1	SC000440/PP/CO-CATALYST	CARTUCCIA MAXIFILTER CARB./SET./HOPKALITE	MAXIFILTER CARBON/SIEVE/HOPKALITE CARTRIDGE
6	1	13-05-0601/R	KIT TAPPI E DISCHI PER MAXIFILTER (6 PEZZI)	MAXIFILTER CAPS & DISCS KIT (6 PIECES)
7	1	13-00-0800	KIT FELTRI PER MAXIFILTER (6 PEZZI)	MAXIFILTER FELTS KIT (6 PIECES)
8	1	SC000380	SETACCIO MOLECOLARE	MOLECULAR SIEVE
9	1	SC000350	CARBONE ATTIVO GRANULARE	ACTIVE CARBON
10	1	SC000355	FISSATORE MONOSSIDO DI CARBONIO 814	CO CATALYST MOLECULITE 814

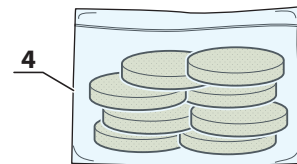
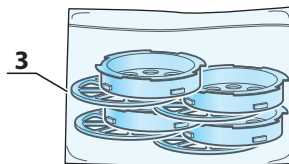
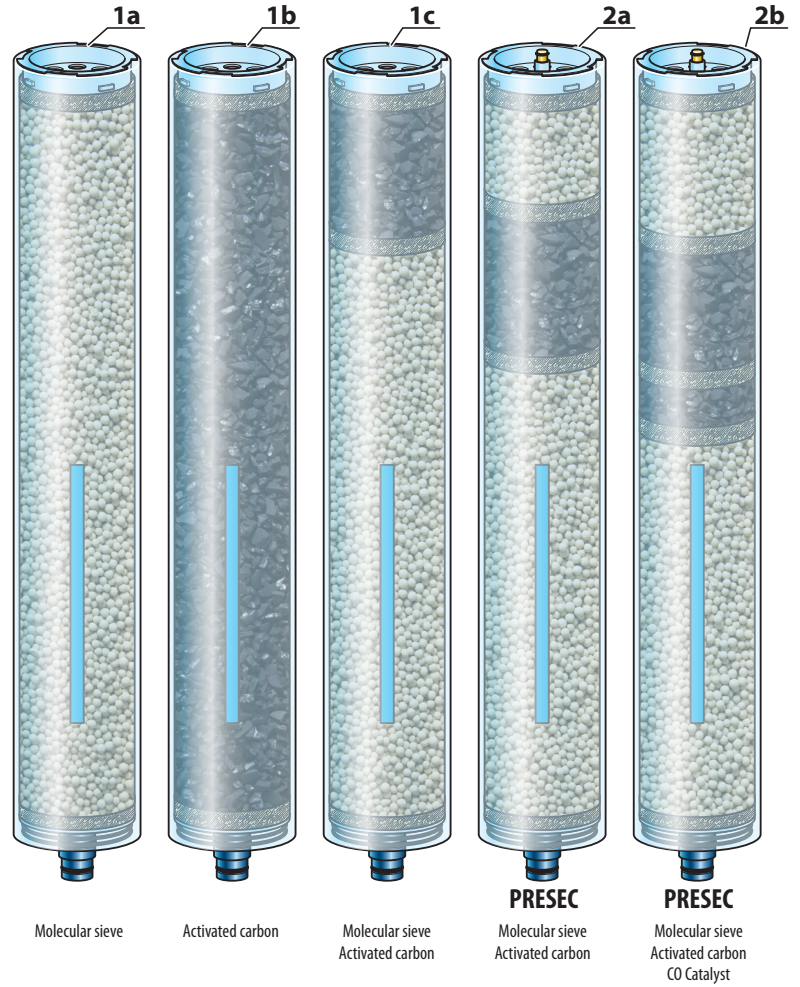
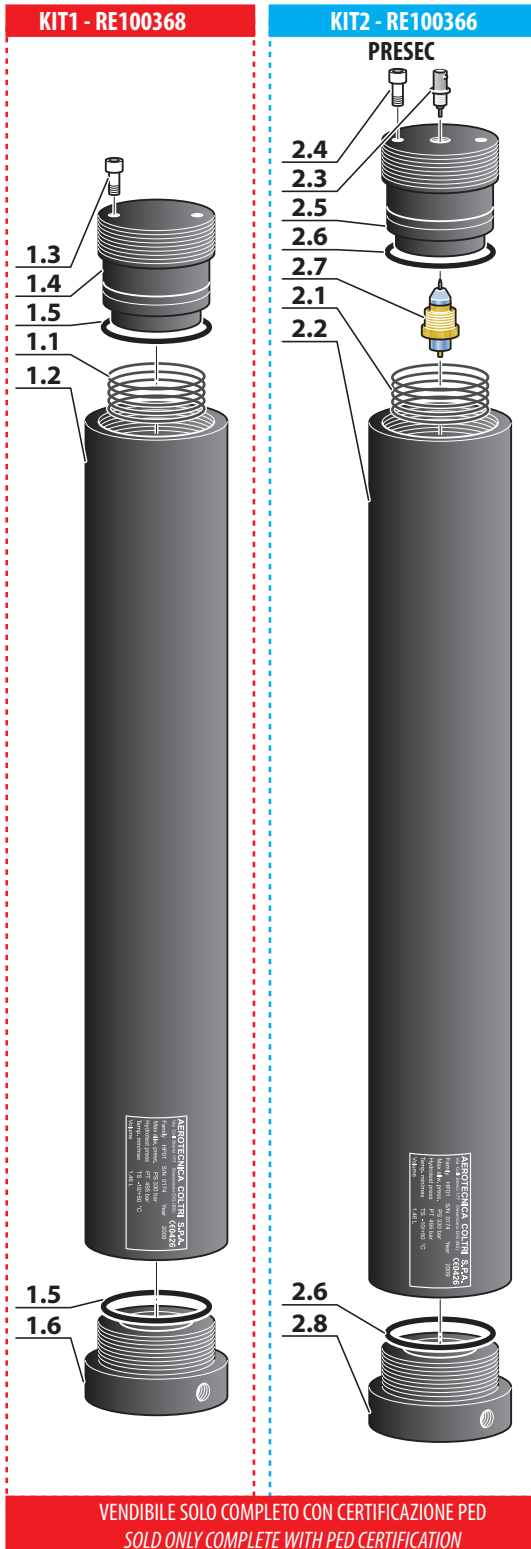
MAXIFILTRO DEPURATORE - MAXIFILTER PURIFIER



HYPERFILTER DEPURATORE - HYPERFILTER PURIFIER

RIF. POS.	Q.TÀ Q.TY	CODICE CODE	DESCRIZIONE	DESCRIPTION
KIT1	1	RE100368	HYPER FILTER (senza cartuccia Hyper)	HYPER FILTER (without Hyper cartridge)
1.1	1		MOLLA CARTUCCIA HYPER FILTER	HYPERFILTER CARTRIDGE SPRING
1.2	1		CORPO HYPER FILTER 110MM	HYPERFILTER BODY 110MM
1.3	2		VITE T.C.E INOX 10X16 DIN912	SCREW T.C.E INOX 10X16 DIN912
1.4	1		TAPPO SUPERIORE SENZA SENSORE	UPPER PLUG WITHOUT SENSOR
1.5	2		O RING 6262 FKM 90 SH (66,04X5,34)	O RING 6262 FKM 90 SH (66,04X5,34)
1.6	1		TAPPO INFERIORE HYPER FILTER FORI DA 1/4G	LOWER CAP HYPERFILTER HOLES TO 1/4G
KIT2	1	RE100366	HYPER FILTER PRESEC (senza cartuccia Hyper)	HYPER FILTER PRESEC (without Hyper cartridge)
2.1	1		MOLLA CARTUCCIA HYPER FILTER	HYPERFILTER CARTRIDGE SPRING
2.2	1		CORPO HYPER FILTER	HYPERFILTER BODY
2.3	1		CONNETTORE PRESEC	PRESEC CONNECTOR
2.4	2		VITE T.C.E INOX 10X16 DIN912	SCREW T.C.E INOX 10X16 DIN912
2.5	1		TAPPO SUPERIORE CON SENSORE HYPER FILTER	UPPER PLUG WITH SENSOR
2.6	2		O RING 6262 FKM 90 SH (66,04X5,34)	O RING 6262 FKM 90 SH (66,04X5,34)
2.7	1		SENSORE PRESEC	PRESEC SENSOR
2.8	1		TAPPO INFERIORE HYPER FILTER FORI DA 1/4G	LOWER CAP HYPERFILTER HOLES TO 1/4G
1a	1	36-07-034/PP/A-MS	CARTUCCIA HYPERFILTER SETACCIO MOLECOLARE	HYPERFILTER MOLECULAR SIEVE CARTRIDGE
1b	1	36-07-034/PP/CARB	CARTUCCIA HYPERFILTER CARBONE ATTIVO	HYPERFILTER ACTIVE CARBON CARTRIDGE
1c	1	36-07-034/PP/B-AC	CARTUCCIA HYPERFILTER CARB. ATT./SET.MOL.	HYPERFILTER ACT. CARB./MOLEC. SIEVE CARTRIDGE
2a	1	SC000543/PP	CARTUCCIA HYPERFILTER PRESEC CARB./SET.	HYPERFILTER PRESEC CARBON/SIEVE CARTRIDGE
2b	1	SC000543/PP/CO	CARTUCCIA HYPERFILTER PRESEC CARB./SET./HOPKALITE	HYPERFILTER PRESEC CARB./SIEVE/HOPK. CARTRIDGE
3	1	36-00-0805	KIT TAPPI E DISCHI PER HYPERFILTER (6 PEZZI)	HYPERFILTER CAPS & DISCS KIT (6 PIECES)
4	1	36-00-0800	KIT FELTRI PER HYPERFILTER (8 PEZZI)	HYPERFILTER FELTS KIT (8 PIECES)
5	1	SC000380	SETACCIO MOLECOLARE	MOLECULAR SIEVE
6	1	SC000350	CARBONE ATTIVO GRANULARE	ACTIVE CARBON
7	1	SC000355	FISSATORE MONOSSIDO DI CARBONIO 814	CO CATALYST MOLECULITE 814

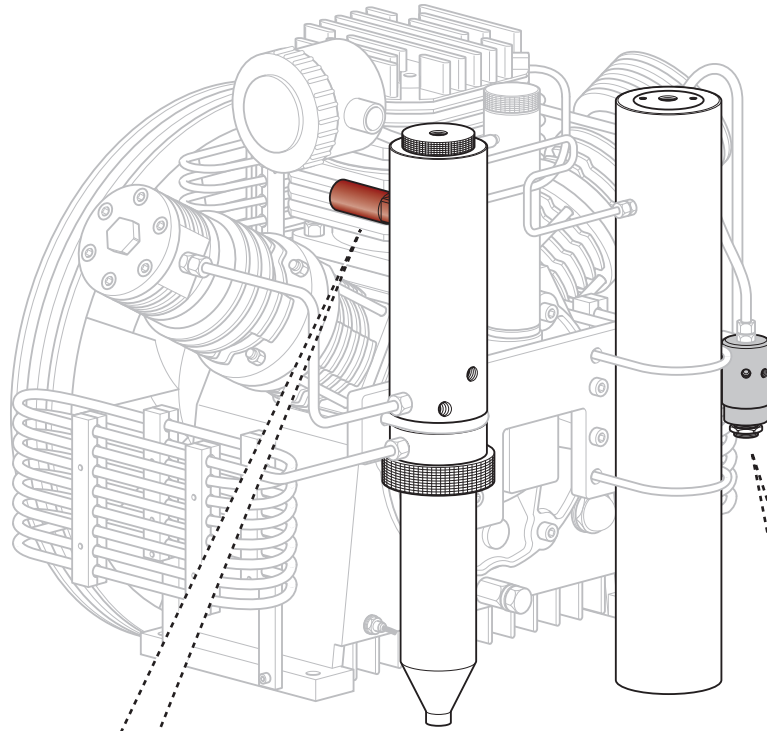
HYPERFILTER DEPURATORE - HYPERFILTER PURIFIER



VALVOLA DI SICUREZZA - VALVOLA MANTENIMENTO PRESSIONE SAFETY VALVE - PRESSURE MAINTENANCE VALVE

RIF. POS.	Q.TÀ Q.TY	CODICE CODE	DESCRIZIONE	DESCRIPTION
KIT1a	1	13-00-0127/R	VALVOLA DI MANTENIMENTO 1/8	MANTAINING PRESSURE VALVE 1/8
1.1a	1		CORPO VALV. MANTENIMENTO 1/8NPT	MAINTENANCE VALVE BODY 1/8 NPT
1.2	2		O-RING NBR 90SH (6,07x1,78)	O-RING NBR 90SH (6,07x1,78)
1.3	1		PISTONE VALVOLA MANTENIMENTO	MAINTENANCE VALVE PISTON
1.4	1		DADO VALV. MANT. PRESSIONE ALL. M20X1,5	VMP NUT M20X1,5
1.5	1		RONDELLA TEFLON PER PISTONE VMP	TEFLON RING VMP PISTON
1.6	1		VITE VALVOLA MANTENIMENTO	MAINTENANCE VALVE SCREW
1.7	1		DISTANZIALE MOLLA PISTONE VPM	VMP PISTON SCREW SPACER
1.8	1		MOLLA VALVOLA SICUREZZA E VMP	SAFETY VALVE SPRING AND VMP
1.9	1		BUSSOLA M20X1.5	VMP CAP M20X1.5
1.10	1		SFERA INOX Ø5 VMP	INOX BALL Ø5 VMP
1.11	1		O RING 2015 NBR 90 (3,69X1,78) X VMP	O RING 2015 NBR 90 (3,69X1,78) X VMP
KIT1b	1	36-07-044/R	VALVOLA DI MANTENIMENTO 1/4	MANTAINING PRESSURE VALVE 1/4
1.1b	1		CORPO VALV. MANTENIMENTO 1/4NPT	MAINTENANCE VALVE BODY 1/4 NPT
1.2	2		O-RING NBR 90SH (6,07x1,78)	O-RING NBR 90SH (6,07x1,78)
1.3	1		PISTONE VALVOLA MANTENIMENTO	MAINTENANCE VALVE PISTON
1.4	1		DADO VALV. MANT. PRESSIONE ALL. M20X1,5	VMP NUT M20X1,5
1.5	1		RONDELLA TEFLON PER PISTONE VMP	TEFLON RING VMP PISTON
1.6	1		VITE VALVOLA MANTENIMENTO	MAINTENANCE VALVE SCREW
1.7	1		DISTANZIALE MOLLA PISTONE VPM	VMP PISTON SCREW SPACER
1.8	1		MOLLA VALVOLA SICUREZZA E VMP	SAFETY VALVE SPRING AND VMP
1.9	1		BUSSOLA M20X1.5	VMP CAP M20X1.5
1.10	1		SFERA INOX Ø5 VMP	INOX BALL Ø5 VMP
1.11	1		O RING 2015 NBR 90 (3,69X1,78) X VMP	O RING 2015 NBR 90 (3,69X1,78) X VMP
2	1	OR-114/90	O-RING 114 NBR 90	O-RING 114 NBR 90
3	1	6-05-015H/N	RACC. VALVOLA SICUREZZA 1/8NPT-M12 PASSO 1,25	SAFETY VALVE FITTING 1/8NPT-M12X1,25
4a	1	6-05-015/3/200	VALVOLA DI SICUREZZA 200 BAR	SAFETY VALVE 200 BAR
4b	1	6-05-015/3/232	VALVOLA DI SICUREZZA 232 BAR	SAFETY VALVE 232 BAR
4c	1	6-05-015/3/250	VALVOLA DI SICUREZZA 250 BAR	SAFETY VALVE 250 BAR
4d	1	6-05-015/3/300	VALVOLA DI SICUREZZA 300 BAR	SAFETY VALVE 300 BAR
4e	1	6-05-015/3/330	VALVOLA DI SICUREZZA 330 BAR	SAFETY VALVE 330 BAR
4f	1	6-05-015/3/350	VALVOLA DI SICUREZZA 350 BAR	SAFETY VALVE 350 BAR

VALVOLA DI SICUREZZA - VALVOLA MANTENIMENTO PRESSIONE
SAFETY VALVE - PRESSURE MAINTENANCE VALVE



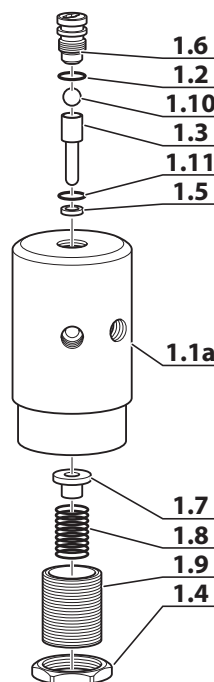
VALVOLA DI SICUREZZA
SAFETY VALVE



VALVOLA MANTENIMENTO PRESSIONE
PRESSURE MAINTENANCE VALVE

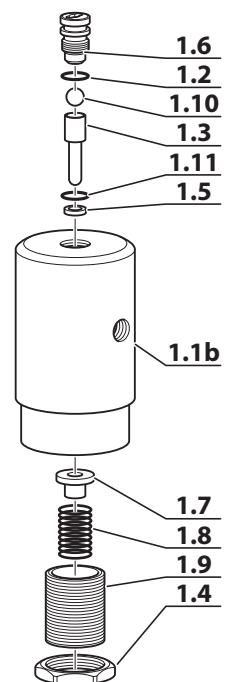
KIT1a - 13-00-0127/R

(1/8): SMART - TECH - ERGO PETROL



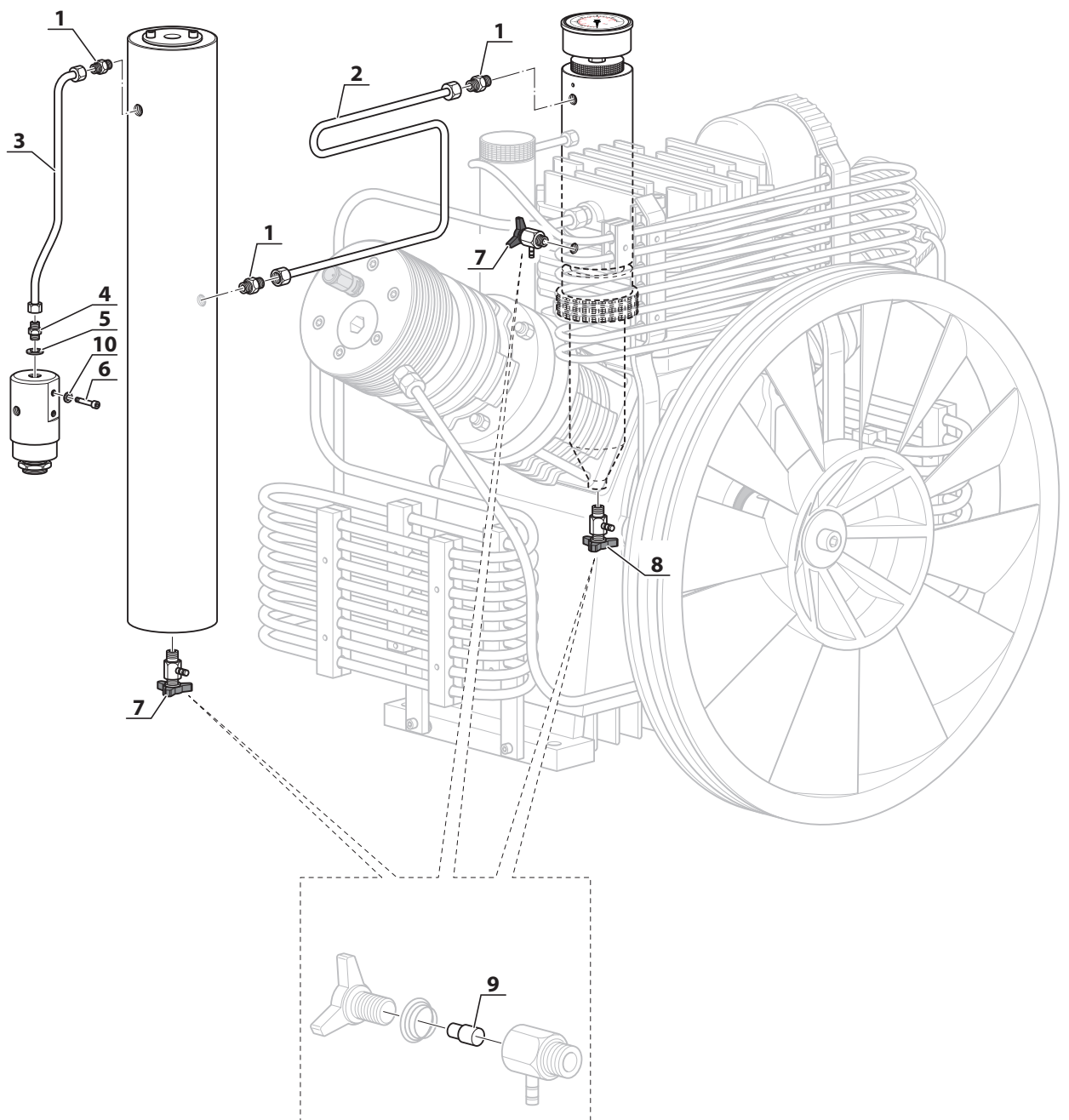
KIT1b - 36-07-044/R

(1/4): ERGO - ERGO TPS - COMPACT EVO
 SUPER SILENT EVO - MINISILENT EVO



CIRCUITO DI FILTRAZIONE - FILTERING CIRCUIT
Mod: SMART - ERGO PETROL

RIF. POS.	Q.TÀ Q.TY	CODICE CODE	DESCRIZIONE	DESCRIPTION
1	3	13-00-0174E/X	RACCORDO OGIVA TUBO Ø6 M12X1,5 - 1/8 NPT	FITTING OGIVE TUBE Ø6 M12X1,5 - 1/8 NPT
2	1	TUBO\MCH13\B\N\N\P	TUBO COLLEGAM. FILTRO/SEP. (B)	SEPARATOR-FILTER TUBE CONNECTION 13/16
3	1	TUBO\MCH13\A\N\N\P	TUBO COLLEG. FIL.VALV.MANT.(A)	FILTER-VMP TUBE CONNECTION MCH13/16
4	1	13-00-0025E	RACCORDO ERMETO G1/4-12x1.5 TUBO Ø6	FITTING ERMETO G1/4-12x1.5 TUBE Ø6
5	1	GUAR1319	RONDELLA 1/4 IN RAME	COPPER WASHER 1/4
6	2	VITE0616I	VITE TCE 6X15 INOX	SCREW TCE 6X15 INOX
7	2	6-05-004	KIT RUBINETTO SCARICO CONDENSA 1/8 NPT	CONDENSATE DISCHARGE BODY VALVE 1/8 NPT KIT
8	1	13-00-0161/P	KIT RUBINETTO SCARICO CONDENSA 1/4 G	CONDENSATE DISCHARGE BODY VALVE 1/4 G KIT
9	3	13-00-0162/1/1	NYLON SCARICO CONDENSA	CONDENSATE DISCHARGE NYLON
10	2	RON6I	RONDELLA PIANA M6 INOX DIN125	FLAT WASHER M6 INOX DIN125

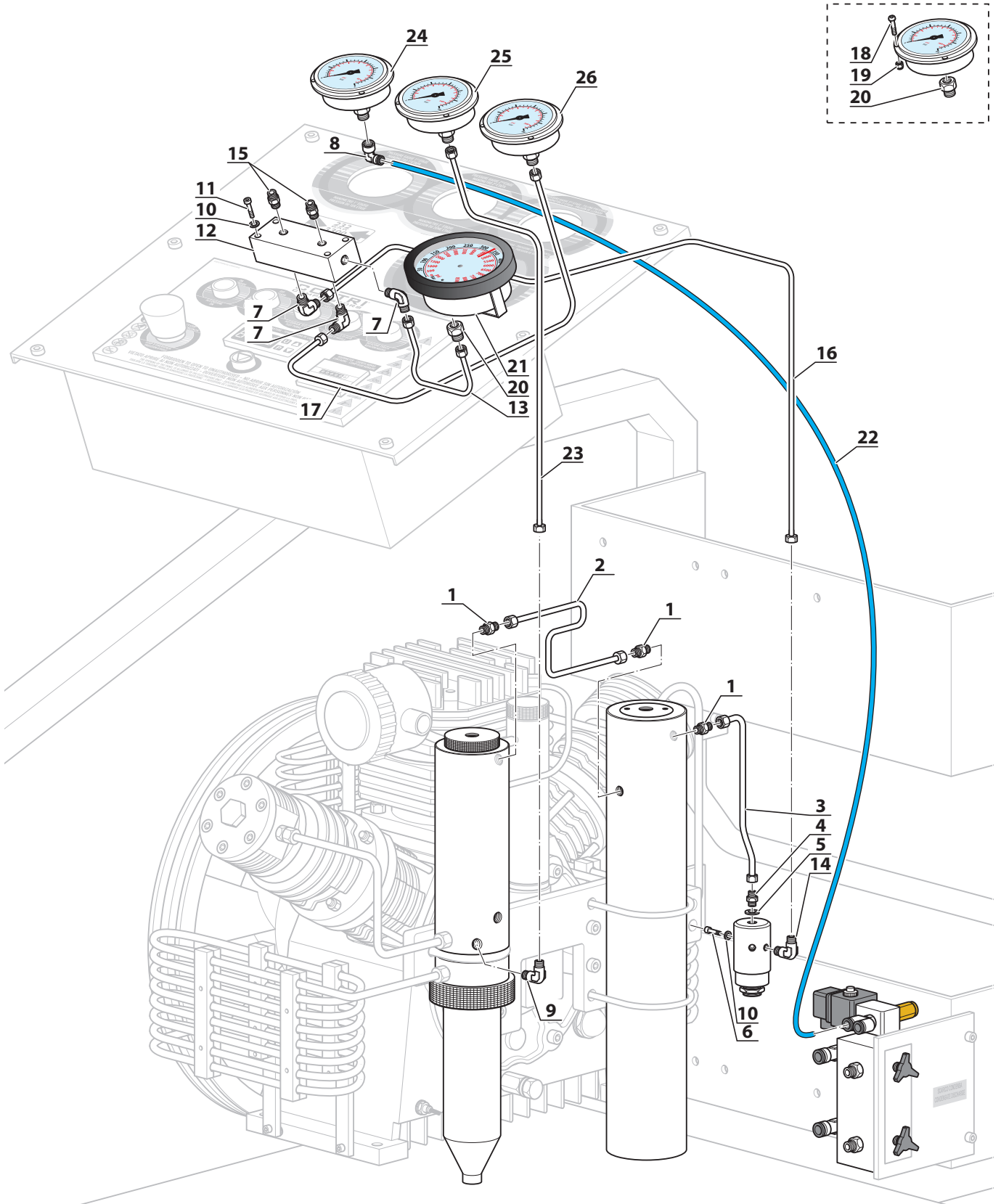
CIRCUITO DI FILTRAZIONE - FILTERING CIRCUIT
Mod: SMART - ERGO PETROL

CIRCUITO DI FILTRAZIONE - FILTERING CIRCUIT

Mod: ERGO

RIF. POS.	Q.TÀ Q.TY	CODICE CODE	DESCRIZIONE	DESCRIPTION
1	3	13-00-0174E/X	RACCORDO OGIVA TUBO Ø6 M12X1,5 - 1/8 NPT	FITTING OGIVE TUBE Ø6 M12X1,5 - 1/8 NPT
2	1	TUBO\MCH13\B\N\P	TUBO COLLEGAM. FILTRO/SEP. (B)	SEPARATOR-FILTER TUBE CONNECTION 13/16
3	1	TUBO\MCH13\A\N\P	TUBO COLLEG. FIL.VALV.MANT.(A)	FILTER-VMP TUBE CONNECTION MCH13/16
4	1	13-00-0025E/X	RACCORDO ERMETO G1/4-12x1.5 TUBO Ø6	FITTING ERMETO G1/4-12x1.5 TUBE Ø6
5	1	GUAR1319	RONDELLA 1/4 IN RAME	COPPER WASHER 1/4
6	2	VITE0616I	VITE TCE 6X15 INOX	SCREW TCE 6X15 INOX
7	3	36-07-008/X	RACCORDO INOX AISI 316 90° 1/4NPT - 7/16	FITTING INOX AISI 316 90° 1/4NPT - 7/16
8	1	RACC/E2L34F08	RACCORDO 90° FEMMINA GIREVOLE 1/4 F TUBO 6 RILSAN	FITTING 90° REVOLVING FEMALE 1/4 F TUBE 6 RILSAN
9	1	13-00-0144	RACCORDO 90° 1/8 - 7/16 TUBO 6mm	FITTING 90° 1/8 - 7/16 TUBE 6mm
10	6	RON6I	RONDELLA M6 INOX DIN125	WASHER M6 INOX DIN125
11	4	VITE0610I	VITE T.C.E. INOX. 6x10 DIN912	SCREW T.C.E. INOX. 6x10 DIN912
12	1	13-04-0217/1	BLOCCHETTO ALLUMINIO RAMPA DI RICARICA	RECHARGE ALUMINIUM BLOCK
13	1	99.0.D1S4.0045	TUBO INOX RAMPA-PRESSOSTATO ERGO	TUBE INOX BLOCK-PRESSURE SWITCH ERGO
14	1	36-07-008/X	RACCORDO INOX AISI 316 90° 1/4NPT - 7/16	FITTING INOX AISI 316 90° 1/4NPT - 7/16
15	2	13-00-0025/X	RACCORDO INOX 1/4 NPT -TUBO 6mm DIRITTO 7/16	FITTING INOX 1/4 NPT -TUBE 6mm 7/16
16	1	99.0.D1S4.0070	TUBO INOX VMP-RAMPA ERGO	TUBE INOX VMP-BLOCK ERGO
17	1	99.0.D1S4.0040	TUBO INOX RAMPA-MANOMETRO 3° STADIO ERGO	TUBE INOX BLOCK-3RD STAGE PRESSURE GAUGE ERGO
18	9	36-07-006	VITE TCEI M3X10 INOX MCH36	SCREW TCEI M3X10 INOX MCH36
19	9	DA003I	DADO INOX AUTOBLOC. M3	SELF LOCKING NUT M3 INOX
20	3	6-05-071/X	RACCORDO INOX 7/16 1/4GB	FITTING INOX 7/16 1/4GB
21	1	SC000315/S	PRESSOSTATO CON MICRO 330BAR	PRESSURE SWITCH MICRO 330BAR
22	1	TUBRILSAN6X4/B	TUBO RILSAN 6X4 BLU ALTE TEMPERATURE	RILSAN HOSE 6X4 BLUE HIGH TEMPERATURE
23	1	99.0.D1S4.0035	TUBO INOX SEPARATORE HP-MANOMETRO 2° STADIO ERGO	TUBE INOX HP SEPARATOR-2ND STAGE PRESSURE GAUGE ERGO
24	1	13-05-0120	MAN.0-16 BAR/PSI CON FLANGIA	FLANGED PRESSURE GAUGE 0-16 BAR/PSI
25	1	13-05-0130	MAN.0-100 BAR/PSI CON FLANGIA	FLANGED PRESSURE GAUGE 0-100 BAR/PSI
26	1	13-04-0211/500	MAN. 0-500BAR/PSI CON FLANGIA	FLANGED PRESSURE GAUGE 0-500 BAR/PSI

CIRCUITO DI FILTRAZIONE - FILTERING CIRCUIT
Mod: ERGO

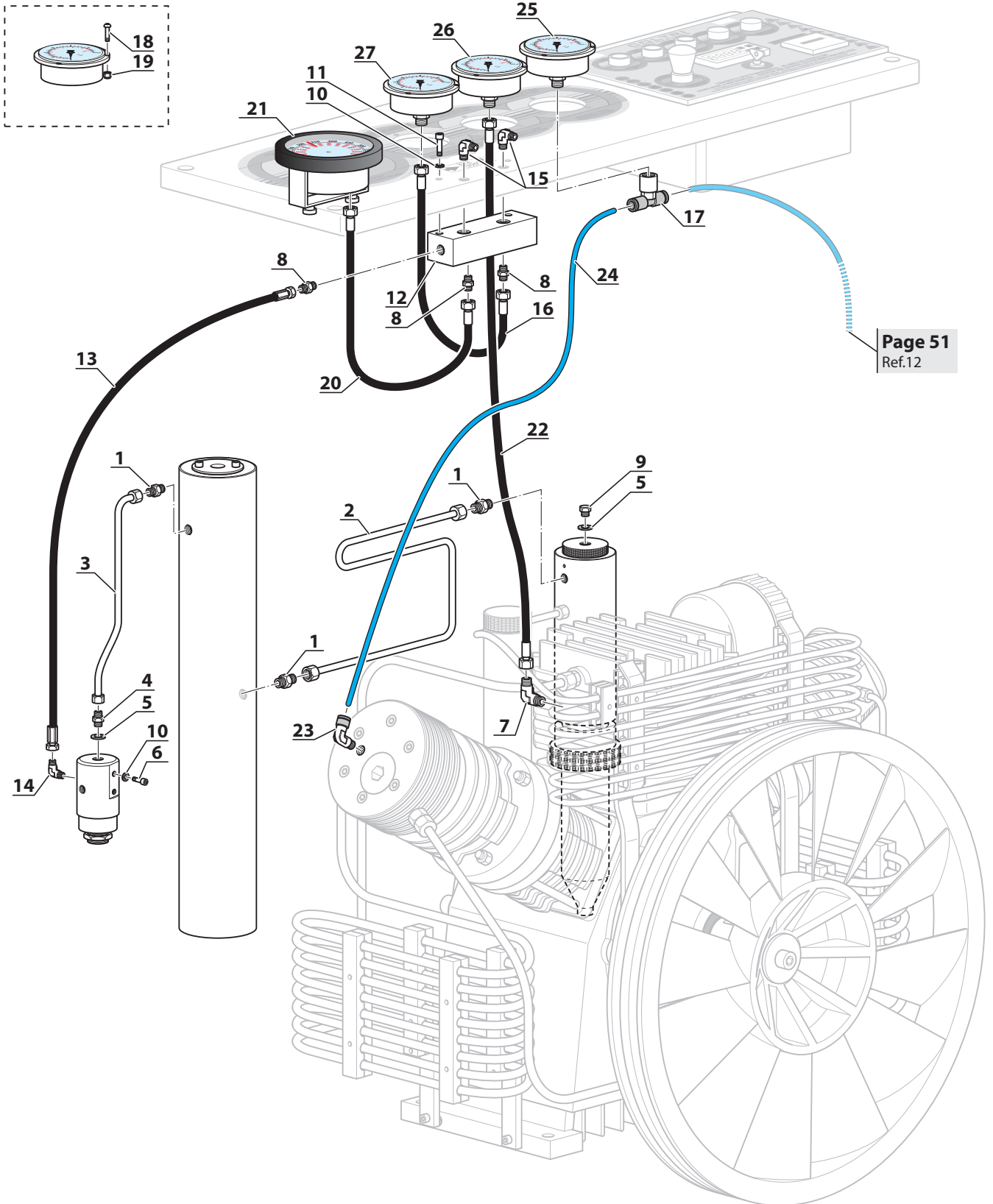


CIRCUITO DI FILTRAZIONE - FILTERING CIRCUIT

Mod: COMPACT EVO

RIF. POS.	Q.TÀ Q.TY	CODICE CODE	DESCRIZIONE	DESCRIPTION
1	3	13-00-0174E/X	RACCORDO OGIVA TUBO Ø6 M12X1,5 - 1/8 NPT	FITTING OGIVE TUBE Ø6 M12X1,5 - 1/8 NPT
2	1	TUBO\MCH13\B\N\P	TUBO COLLEGAM. FILTRO/SEP. (B)	SEPARATOR-FILTER TUBE CONNECTION 13/16
3	1	TUBO\MCH13\A\N\P	TUBO COLLEG. FIL.VALV.MANT.(A)	FILTER-VMP TUBE CONNECTION MCH13/16
4	1	13-00-0025E/X	RACCORDO ERMETO G1/4-12x1.5 TUBO Ø6	FITTING ERMETO G1/4-12x1.5 TUBE Ø6
5	2	GUAR1319	RONDELLA 1/4 IN RAME	COPPER WASHER 1/4
6	2	VITE0616I	VITE TCE 6X15 INOX	SCREW TCE 6X15 INOX
7	1	13-00-0144	RACCORDO 90° 1/8 - 7/16 TUBO 6mm	FITTING 90° 1/8 - 7/16 TUBE 6mm
8	3	13-00-0025/X	RACCORDO INOX 1/4NPT - 7/16 TUBO6	FITTING INOX 1/4NPT - 7/16 PIPE6
9	1	6-00-028	TAPPO SCARICO OLIO MCH-6	DISCHARGE OIL PLUG
10	6	RON6I	RONDELLA M6 INOX DIN125	WASHER M6 INOX DIN125
11	4	VITE0610I	VITE T.C.E. INOX. 6x10 DIN912	SCREW T.C.E. INOX. 6x10 DIN912
12	1	13-04-0217/1	BLOCCHETTO ALLUMINIO RAMPA DI RICARICA	RECHARGE ALUMINIUM BLOCK
13	1	13-04-0285/AIR	TUBO HP R8 800MM AIR	HP R8 800MM AIR TUBE
14	1	36-07-008/X	RACCORDO INOX AISI 316 90° 1/4NPT - 7/16	FITTING INOX AISI 316 90° 1/4NPT - 7/16
15	2	36-07-008/X	RACCORDO INOX 90° 1/4NPT - 7/16	FITTING INOX 90° 1/4NPT - 7/16
16	1	13-04-0213	MICROTUBO 1/4-7/16 400MM	MICRO-HOSE 1/4-7/16 400MM
17	1	RACC/E2L35F08	RACC. T FEMMINA GIREVOLE E2L35F08 1/4 F TUBO 6	T FITTING 1/4 F TUBE 6
18	9	36-07-006	VITE TCEI M3X10 INOX MCH36	SCREW TCEI M3X10 INOX MCH36
19	9	DA003I	DADO INOX AUTOBLOC. M3	SELF LOCKING NUT M3 INOX
20	1	36-05-00240_COMPACT	TUBO HP 7/16-1/4 L.300 MM	HP HOSE 7/16-1/4 L.300 MM
21	1	SC000315/S	PRESSOSTATO CON MICRO 330BAR	PRESSURE SWITCH MICRO 330BAR
22	1	13-04-0214	MICROTUBO 1/4-7/16 600MM	MICRO-HOSE 1/4-7/16 600MM
23	1	RACC/E2L31C08	RACC. 90° MASCHIO GIREVOLE 1/8 NPT TUBO Ø6	TURNING FITTING 90° 1/8 NPT TUBE Ø6
24	0,4	TUBRILSAN6X4/B	TUBO RILSAN 6X4 BLU ALTE TEMPERATURE	RILSAN HOSE 6X4 BLUE HIGH TEMPERATURE
25	1	13-05-0120	MAN.0-16 BAR/PSI CON FLANGIA	FLANGED PRESSURE GAUGE 0-16 BAR/PSI
26	1	13-05-0130	MAN.0-100 BAR/PSI CON FLANGIA	FLANGED PRESSURE GAUGE 0-100 BAR/PSI
27	1	13-04-0211/500	MAN. 0-500BAR/PSI CON FLANGIA	FLANGED PRESSURE GAUGE 0-500 BAR/PSI

CIRCUITO DI FILTRAZIONE - FILTERING CIRCUIT
Mod: COMPACT EVO

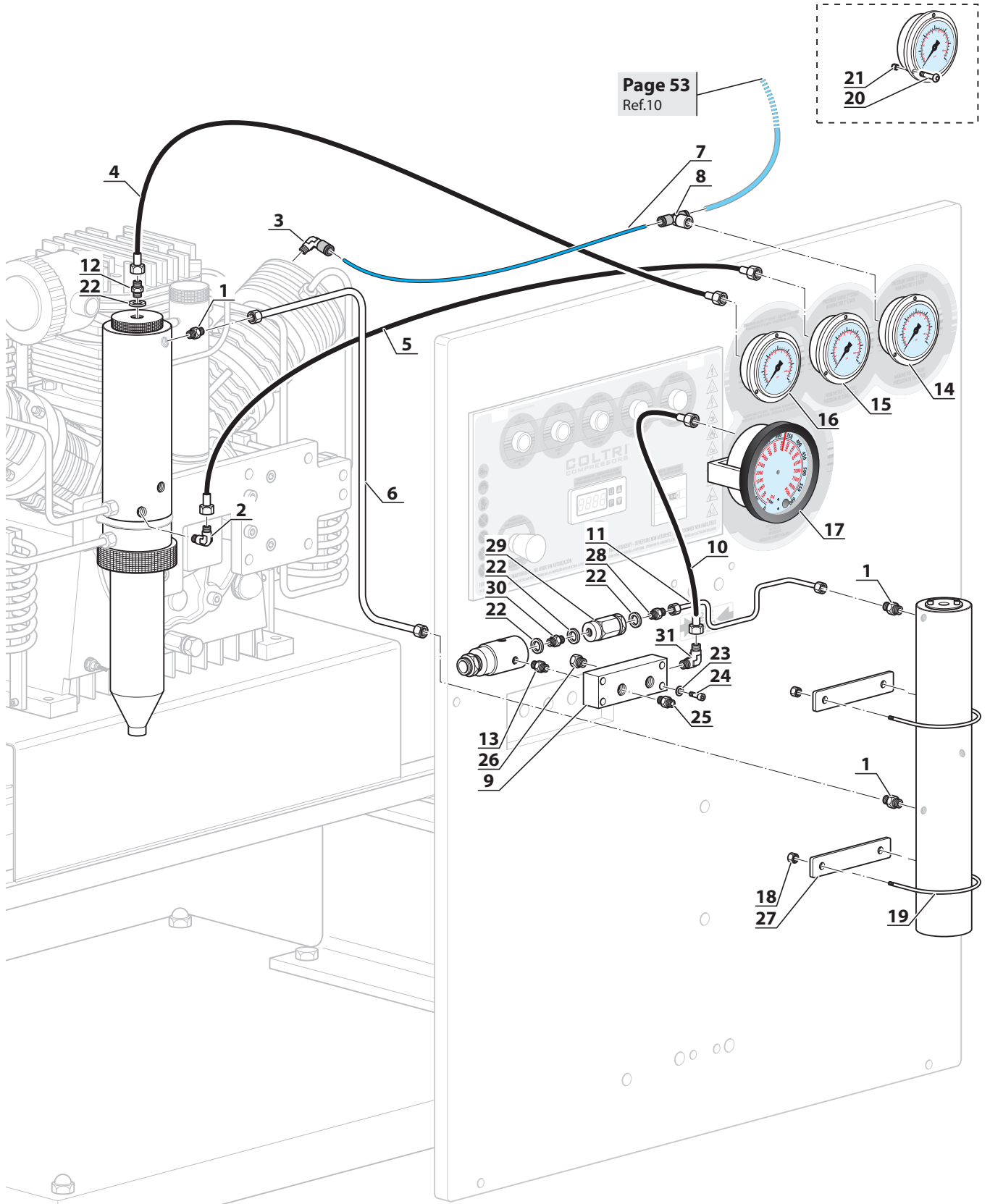


CIRCUITO DI FILTRAZIONE - FILTERING CIRCUIT

Mod: SUPER SILENT EVO

RIF. POS.	Q.TÀ Q.TY	CODICE CODE	DESCRIZIONE	DESCRIPTION
1	3	13-00-0174E/X	RACCORDO OGIVA TUBO Ø6 M12X1,5 - 1/8 NPT	FITTING OGIVE TUBE Ø6 M12X1,5 - 1/8 NPT
2	1	13-00-0144/X	RACCORDO INOX 90° 1/8 - 7/16 TUBO 6MM	FITTING INOX 90° 1/8 - 7/16 TUBE 6MM
3	1	RACC/E2L31C08	RACCORDO 90° M GIREVOLE 1/8 NPT-TUBO Ø6	FITTING 90° M TURNING 1/8 NPT-TUBO Ø6
4	1	13-04-0213	MICROTUBO 1/4-7/16 400MM	MICRO-HOSE 1/4-7/16 400MM
5	1	36-05-00200	MICROTUBO 1/4-7/16 800MM	MICRO-HOSE 1/4-7/16 800MM
6	1	13-04/0288/SS/P	TUBO INOX Ø6 SEPARATORE-FILTRO	TUBE INOX Ø6 SEPARATOR-FILTER
7	1	TUBRILSAN6X4/B	TUBO RILSAN 6X4 BLU ALTE TEMPERATURE	RILSAN HOSE 6X4 BLUE HIGH TEMPERATURE
8	1	RACC/E2L35F08	RACCORDO T F GIREVOLE 1/4-TUBO 6	FITTING T F TURNING 1/4-TUBE 6
9	1	13-04-0217/1	BLOCCHETTO ALLUMINIO 40x40x120 1/4NPT	ALUMINIUM BLOCK 40x40x120 1/4NPT
10	1	36-05-00240	MICROTUBO 1/4-7/16 L.300 MM	MICRO-HOSE 1/4-7/16 300MM
11	1	13-00-0037/P	TUBO INOX DIAM.6X1 TELAIO MCH13TELAIO	INOX PIPE D6X1 FRAME MCH13
12	1	13-00-0125	RACCORDO 7/16-1/4 G	FITTING 7/16-1/4 G
13	1	36-07-053	RACCORDO 1/4 NPT - 1/4 NPT	FITTING 1/4 NPT - 1/4 NPT
14	1	13-05-0120	MAN.0-16 BAR/PSI CON FLANGIA	FLANGED PRESSURE GAUGE 0-16 BAR/PSI
15	1	13-05-0130	MAN.0-100 BAR/PSI CON FLANGIA	FLANGED PRESSURE GAUGE 0-100 BAR/PSI
16	1	13-04-0211/500	MANOMETRO 0-500BAR CON FLANGIA	MANOMETER 0-500BAR W/FLANGE
17	1	SC000315/S	PRESSOSTATO CON MICRO 330BAR	PRESSURE SWITCH MICRO 330BAR
18	4	13-00-0101I	DADO INOX AUTOBLOC. M8 ALTO	8MM SELF-LOCKING INOX NUT
19	2	13-00-0093	STAFFA PORTAFILTRO MCH13-16	FILTER HOLDING BRACKET MCH13/16
20	9	36-07-006	VITE TCEI M3X10 INOX MCH36	SCREW TCEI M3X10 INOX MCH36
21	9	DA003I	DADO INOX AUTOBLOC. M3	SELF LOCKING NUT M3 INOX
22	4	GUAR1319	RONDELLA 1/4 IN RAME	COPPER WASHER 1/4
23	4	RON6I	RONDELLA M6 INOX DIN125	WASHER M6 INOX DIN125
24	4	VITE0610I	VITE T.C.E. INOX. 6x10 DIN912	SCREW T.C.E. INOX. 6x10 DIN912
25	2	13-00-0025/X	RACCORDO INOX 1/4NPT - 7/16 TUBO6	FITTING INOX 1/4NPT - 7/16 PIPE6
26	1	13-07-0003	TAPPO 1/4 NPT	PLUG 1/4 NPT
27	2	13-05-0610	STAFFA FISSAGGIO MAXIFILTER	MAXIFILTER BRACKET
28	1	13-00-0025E/X	RACCORDO ERMETO G1/4-12x1.5 TUBO Ø6	FITTING ERMETO G1/4-12x1.5 TUBE Ø6
29	1	13-05-0492/P	VALVOLA DI NON RITORNO	NON-RETURN VALVE
30	1	RAC/1/4G-1/4G	RACCORDO DRITTO 1/4G M-1/4 G M	FITTING 1/4G M-1/4 G M
31	1	36-07-008/X:	RACCORDO INOX 90° 1/4NPT - 7/16	FITTING INOX 90° 1/4NPT - 7/16

CIRCUITO DI FILTRAZIONE - FILTERING CIRCUIT
Mod: SUPER SILENT EVO



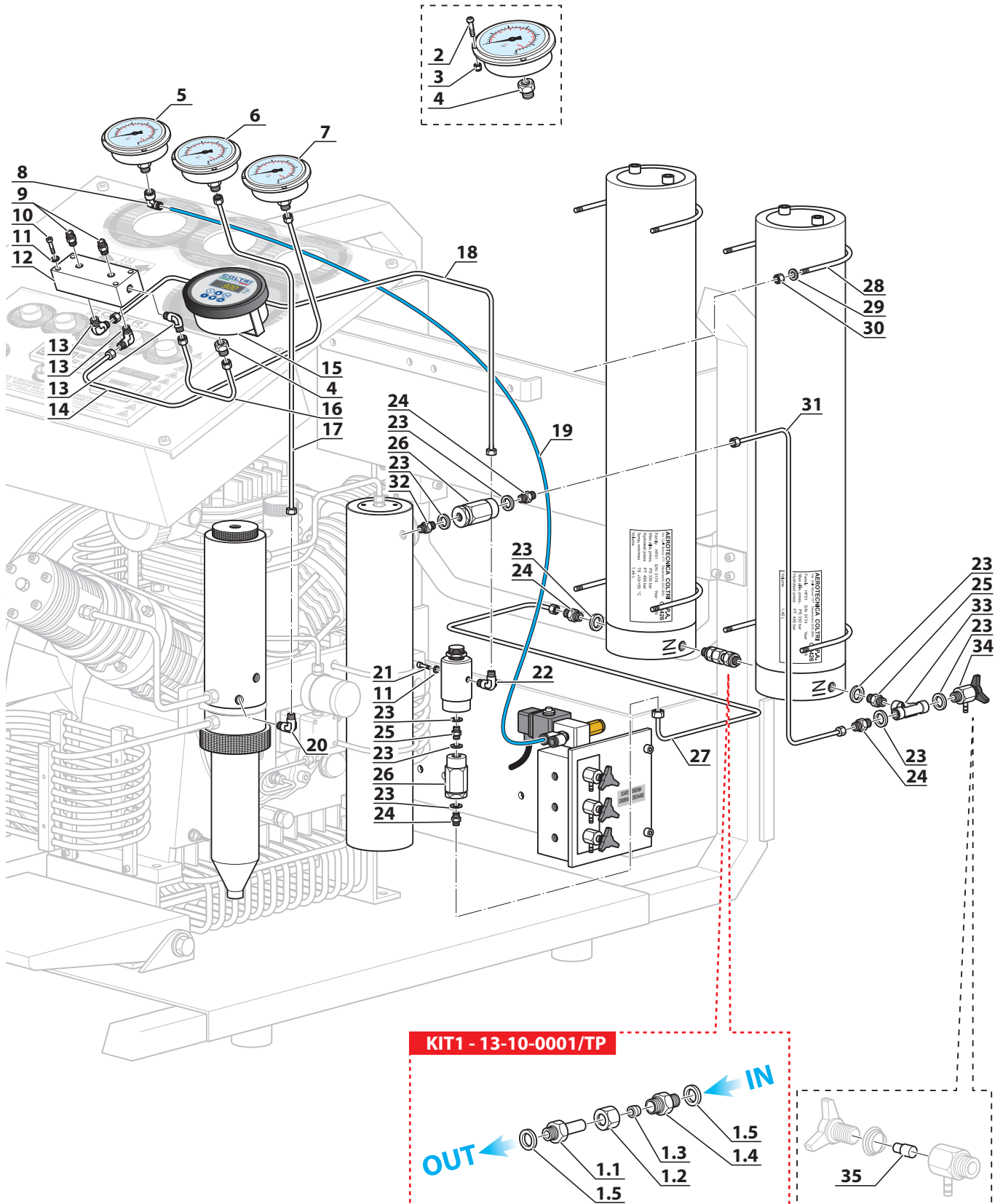
CIRCUITO DI FILTRAZIONE - FILTERING CIRCUIT

Mod: ERGO TPS

RIF. POS.	Q.TÀ Q.TY	CODICE CODE	DESCRIZIONE	DESCRIPTION
KIT1	1	13-10-0001/TP	KIT RACCORDI 1/4 COLLEGAMENTO 2 HYPERFILTER	KIT FITTINGS 1/4 CONNECTION 2 HYPERFILTER
1.1	1		RACCORDO ERMETO 1/4 - TUBO Ø8	FITTING ERMETO 1/4 - TUBE Ø8
1.2	1		DADO PER RACCORDO ERMETO TUBO Ø8	NUT FOR FITTING ERMETO TUBE Ø8
1.3	1		ANELLO OGIVA Ø8M	OGIVE RING Ø8M
1.4	1		RACCORDO ERMETO G1/4-M14X1.5	FITTING ERMETO G1/4-M14X1.5
1.5	2		RONDELLA 1/4 IN RAME	COPPER WASHER 1/4
2	9	36-07-006	VITE TCEI M3X10 INOX MCH36	SCREW TCEI M3X10 INOX MCH36
3	9	DA003I	DADO INOX AUTOBLOC. M3	SELF LOCKING NUT M3 INOX
4	3	6-05-071/X	RACCORDO INOX 7/16 1/4GB	FITTING INOX 7/16 1/4GB
5	1	13-05-0120	MAN.0-16 BAR/PSI CON FLANGIA	FLANGED PRESSURE GAUGE 0-16 BAR/PSI
6	1	13-05-0130	MAN.0-100 BAR/PSI CON FLANGIA	FLANGED PRESSURE GAUGE 0-100 BAR/PSI
7	1	13-04-0211/500	MAN. 0-500BAR/PSI CON FLANGIA	FLANGED PRESSURE GAUGE 0-500 BAR/PSI
8	1	RACC/E2L34F08	RACCORDO 90° FEMMINA GIREVOLE 1/4 F TUBO 6 RILSAN	FITTING 90° REVOLVING FEMALE 1/4 F TUBE 6 RILSAN
9	2	13-00-0025/X	RACCORDO INOX 1/4 NPT -TUBO 6mm DIRITTO 7/16	FITTING INOX 1/4 NPT -TUBE 6mm 7/16
10	4	VITE0610I	VITE T.C.E. INOX. 6x10 DIN912	SCREW T.C.E. INOX. 6x10 DIN912
11	6	RON6I	RONDELLA M6 INOX DIN125	WASHER M6 INOX DIN125
12	1	13-04-0217/1	BLOCCHETTO ALLUMINIO RAMPA DI RICARICA	RECHARGE ALUMINIUM BLOCK
13	3	36-07-008/X	RACCORDO INOX AISI 316 90° 1/4NPT - 7/16	FITTING INOX AISI 316 90° 1/4NPT - 7/16
14	1	99.0.D1S4.0040	TUBO INOX RAMPA-MANOMETRO 3° STADIO ERGO	TUBE INOX BLOCK-3RD STAGE PRESSURE GAUGE ERGO
15	1	SC000927	PRESSOSTATO DIGITALE	DIGITAL PRESSURE SWITCH
16	1	99.0.D1S4.0045	TUBO INOX RAMPA-PRESSOSTATO ERGO	TUBE INOX BLOCK-PRESSURE SWITCH ERGO
17	1	99.0.D1S4.0035	TUBO INOX SEPARATORE HP-MANOMETRO 2° STADIO ERGO	TUBE INOX HP SEPARATOR-2ND STAGE PRESSURE GAUGE ERGO
18	1	99.0.D1S4.0070	TUBO INOX VMP-RAMPA ERGO	TUBE INOX VMP-BLOCK ERGO
19	1	TUBRILSAN6X4/B	TUBO RILSAN 6X4 BLU ALTE TEMPERATURE	RILSAN HOSE 6X4 BLUE HIGH TEMPERATURE
20	1	13-00-0144	RACCORDO 90° 1/8 - 7/16 TUBO 6mm	FITTING 90° 1/8 - 7/16 TUBE 6mm
21	2	VITE0616I	VITE TCE 6X15 INOX	SCREW TCE 6X15 INOX
22	1	36-07-008/X	RACCORDO INOX AISI 316 90° 1/4NPT - 7/16	FITTING INOX AISI 316 90° 1/4NPT - 7/16
23	9	GUAR1319	RONDELLA 1/4 IN RAME	COPPER WASHER 1/4
24	4	13-00-0025E/X	RACCORDO ERMETO G1/4-12x1.5 TUBO Ø6	FITTING ERMETO G1/4-12x1.5 TUBE Ø6
25	2	RAC/1/4G-1/4G	RACCORDO DRITTO 1/4G M-1/4 G M	FITTING 1/4G M-1/4 G M
26	2	13-05-0492/P	VALVOLA DI NON RITORNO	NON-RETURN VALVE
27	1	99.0.D1S4.0030	TUBO INOX HYPERFILTER-VMP ERGO TPS	TUBE INOX HYPERFILTER-VMP ERGO TPS
28	4	13-00-111	CAVALLOTTO M8 INOX HYPERFILTER 110MM	HOLDING BRACKET M8 INOX HYPERFILTER 110MM
29	8	RON8I	RONDELLA PIANA M8 INOX DIN125	WASHER M8 INOX DIN125
30	8	13-00-0101I	DADO INOX AUTOBLOCCANTE M8	SELF LOCKING NUT M8 INOX
31	1	99.0.D1S4.0065	TUBO INOX HYPERFILTER-SEPARATORE ERGO TPS	TUBE INOX HYPERFILTER-SEPARATOR ERGO TPS
32	1	13-04-0225/X	RACCORDO G1/4 - 1/4 NPT	FITTING G1/4 - 1/4 NPT
33	1	RAC/1/4/T	RACCORDO A "T" FFF 1/4	FITTING "T" FFF 1/4
34	1	13-00-0161/P	RUBINETTO SCARICO CONDENZA G1/4	CONDENSATE DISCHARGE BODY VALVE G1/4
35	1	13-00-0162/1/1	NYLON SCARICO CONDENZA	CONDENSATE DISCHARGE NYLON

CIRCUITO DI FILTRAZIONE - FILTERING CIRCUIT

Mod: ERGO TPS



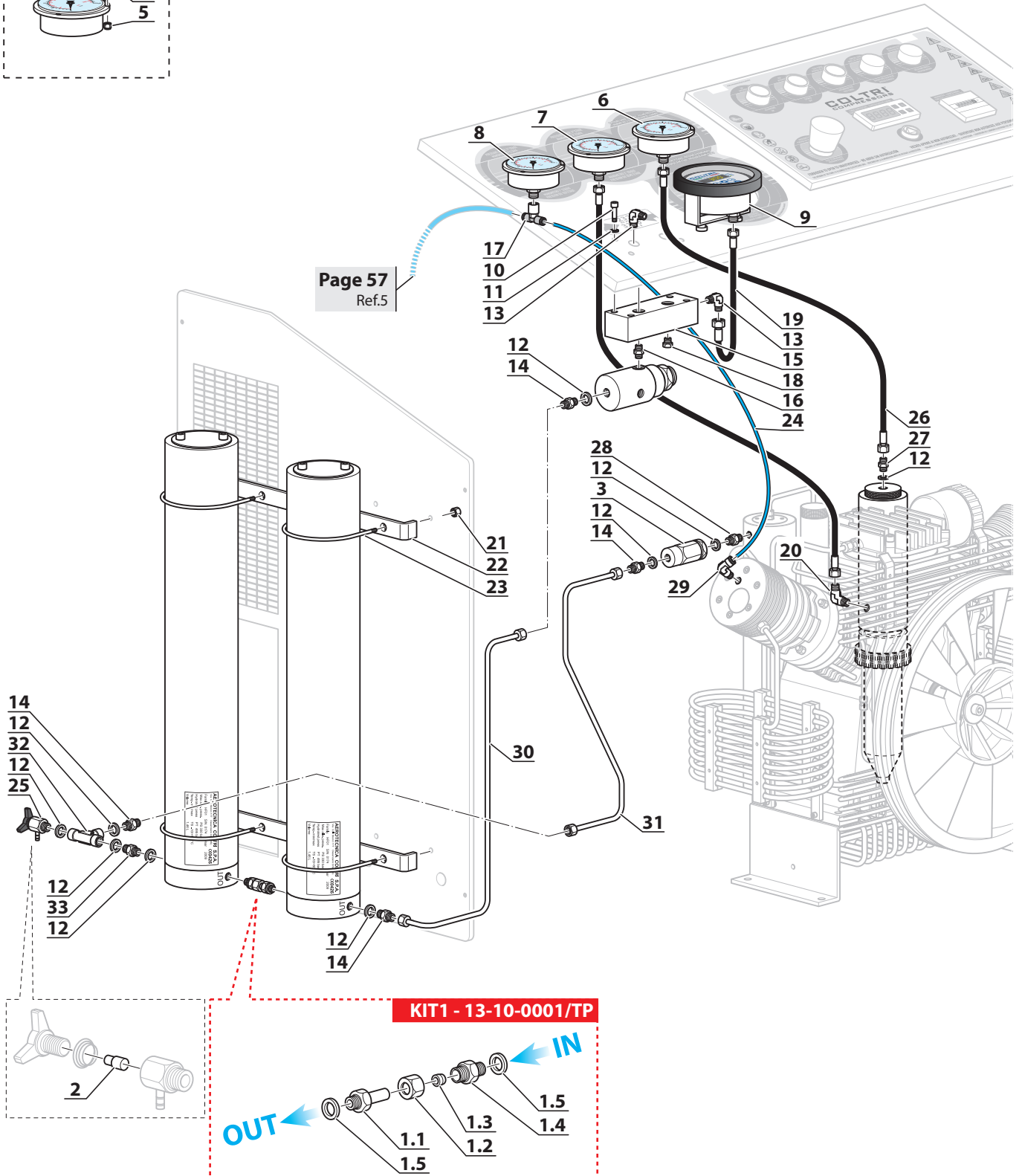
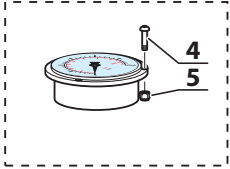
CIRCUITO DI FILTRAZIONE - FILTERING CIRCUIT

Mod: MARK3 TPS

RIF. POS.	Q.TÀ Q.TY	CODICE CODE	DESCRIZIONE	DESCRIPTION
KIT1	1	13-10-0001/TP	KIT RACCORDI 1/4 COLLEGAMENTO 2 HYPERFILTER	KIT FITTINGS 1/4 CONNECTION 2 HYPERFILTER
1.1	1		RACCORDO ERMETO 1/4 - TUBO Ø8	FITTING ERMETO 1/4 - TUBE Ø8
1.2	1		DADO PER RACCORDO ERMETO TUBO Ø8	NUT FOR FITTING ERMETO TUBE Ø8
1.3	1		ANELLO OGIVA Ø8M	OGIVE RING Ø8M
1.4	1		RACCORDO ERMETO G1/4-M14X1.5	FITTING ERMETO G1/4-M14X1.5
1.5	2		RONDELLA 1/4 IN RAME	COPPER WASHER 1/4
2	1	13-00-0162/1	NYLON SCARICO CONDENSA	CONDENSATE DISCHARGE NYLON
3	1	SC000492/P	VALVOLA DI NON RITORNO	CHECK VALVE
4	9	36-07-006	VITE TCEI M3X10 INOX MCH36	SCREW TCEI M3X10 INOX MCH36
5	9	DA003I	DADO INOX AUTOBLOC. M3	SELF LOCKING NUT M3 INOX
6	1	13-04-0211/500	MAN. 0-500BAR/PSI CON FLANGIA	FLANGED PRESSURE GAUGE 0-500 BAR/PSI
7	1	13-05-0130	MAN.0-100 BAR/PSI CON FLANGIA	FLANGED PRESSURE GAUGE 0-100 BAR/PSI
8	1	13-05-0120	MAN.0-16 BAR/PSI CON FLANGIA	FLANGED PRESSURE GAUGE 0-16 BAR/PSI
9	1	SC000927	PRESSOSTATO DIGITALE	DIGITAL PRESSURE SWITCH
10	4	VITE0610I	VITE T.C.E. INOX. 6x10 DIN912	SCREW T.C.E. INOX. 6x10 DIN912
11	4	RON6I	RONDELLA M6 INOX DIN125	WASHER M6 INOX DIN125
12	9	GUAR1319	RONDELLA 1/4 IN RAME	COPPER WASHER 1/4
13	3	36-07-008/X	RACCORDO INOX 90° 1/4NPT - 7/16 TUBO6	FITTING INOX 90° 1/4NPT - 7/16 PIPE6
14	4	13-00-0025E/X	RACCORDO ERMETO G1/4-12x1.5 TUBO Ø6	FITTING ERMETO G1/4-12x1.5 TUBE Ø6
15	1	13-04-0217/1	BLOCCHETTO ALLUMINIO 40x40x120 1/4NPT	ALUMINIUM BLOCK 40x40x120 1/4NPT
16	1	36-07-053	RACCORDO 1/4 NPT - 1/4 NPT	FITTING 1/4 NPT - 1/4 NPT
17	1	RACC/E2L35F08	RACCORDO T FEMMINA GIREVOLE 1/4 F TUBO 6	T TURNING FITTING 1/4 F HOSE 6
18	1	13-07-0003	TAPPO 1/4 NPT	PLUG 1/4 NPT
19	1	36-05-00240	MICROTUBO 1/4-7/16 L.300 MM	MICRO-HOSE 1/4-7/16 300MM
20	1	13-00-0144/X	RACCORDO INOX 90° 1/8 - 7/16 TUBO 6MM	FITTING INOX 90° 1/8 - TUBE 6MM
21	8	13-00-0101I	DADO INOX AUTOBLOC. M8	8MM SELF-LOCKING INOX NUT
22	2	13-04-0227	STAFFA INOX	INOX BRACKET
23	4	13-00-111	CAVALLOTTO M8 INOX HYPERFILTER 110MM	HOLDING BRACKET M8 INOX HYPERFILTER 110MM
24	1	TUBRILSAN6X4/B	TUBO RILSAN 6X4 BLU ALTE TEMPERATURE	RILSAN HOSE 6X4 BLUE HIGH TEMPERATURE
25	1	13-00-0161/P	KIT RUBINETTO SCARICO CONDENSA 1/8 NPT	CONDENSATE DISCHARGE BODY VALVE 1/8 NPT KIT
26	1	13-04-0214	TUBO HP 1/4-7/16 600mm	HOSE HP 1/4-7/16 600mm
27	1	13-00-0125	RACCORDO 7/16-1/4 G	FITTING 7/16-1/4 G
28	1	13-04-0225/X	RACCORDO G1/4 - 1/4 NPT	FITTING G1/4 - 1/4 NPT
29	1	RACC/E2L31C08	RACCORDO 90° M 1/8 NPT GIREVOLE TUBO Ø6	FITTING 90° M 1/8 NPT TURNING HOSE Ø6
30	1	99.0.D1S4.0075	TUBO INOX HYPERFILTER-VMP MARK 3	TUBE INOX HYPERFILTER-VMP MARK 3
31	1	99.0.D1S4.0090	TUBO INOX HYPERFILTER-SEPARATORE HP MARK 3	TUBE INOX HYPERFILTER-HP SEPARATOR MARK 3
32	1	RAC/1/4/T	RACCORDO "T" FFF 1/4	FITTING "T" FFF 1/4
33	1	RAC/1/4G-1/4G	RACCORDO 1/4G M-1/4 G M	FITTING 1/4G M-1/4 G M

CIRCUITO DI FILTRAZIONE - FILTERING CIRCUIT

Mod: MARK3 TPS



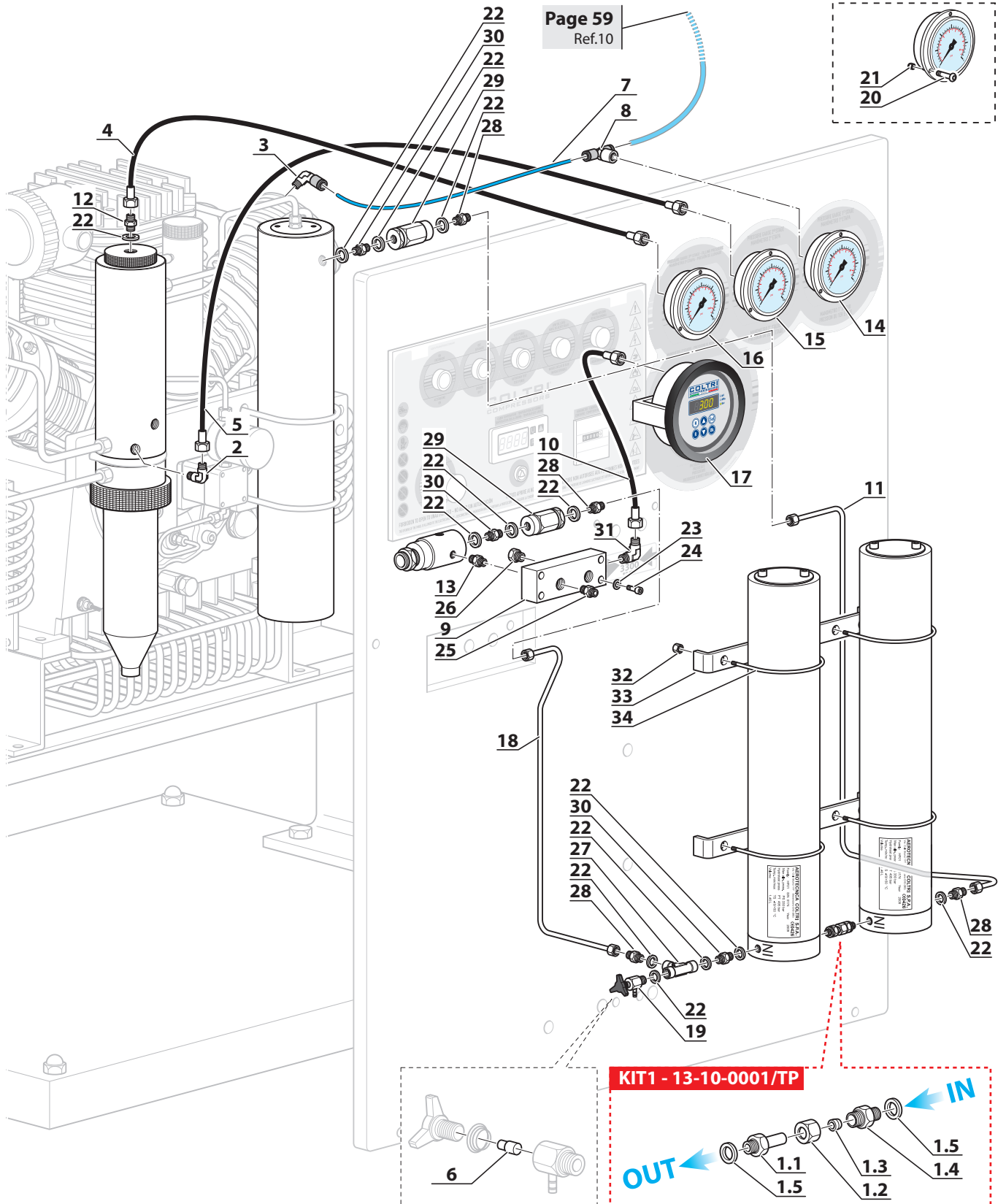
CIRCUITO DI FILTRAZIONE - FILTERING CIRCUIT

Mod: SUPER SILENT TPS

RIF. POS.	Q.TÀ Q.TY	CODICE CODE	DESCRIZIONE	DESCRIPTION
KIT1	1	13-10-0001/TP	KIT RACCORDI 1/4 COLLEGAMENTO 2 HYPERFILTER	KIT FITTINGS 1/4 CONNECTION 2 HYPERFILTER
1.1	1		RACCORDO ERMETO 1/4 - TUBO Ø8	FITTING ERMETO 1/4 - TUBE Ø8
1.2	1		DADO PER RACCORDO ERMETO TUBO Ø8	NUT FOR FITTING ERMETO TUBE Ø8
1.3	1		ANELLO OGIVA Ø8M	OGIVE RING Ø8M
1.4	1		RACCORDO ERMETO G1/4-M14X1.5	FITTING ERMETO G1/4-M14X1.5
1.5	2		RONDELLA 1/4 IN RAME	COPPER WASHER 1/4
2	1	13-00-0144/X	RACCORDO INOX 90° 1/8 - 7/16 TUBO 6MM	FITTING INOX 90° 1/8 - 7/16 TUBE 6MM
3	1	RACC/E2L31C08	RACCORDO 90° M GIREVOLE 1/8 NPT-TUBO Ø6	FITTING 90° M TURNING 1/8 NPT-TUBO Ø6
4	1	13-04-0213	MICROTUBO 1/4-7/16 400MM	MICRO-HOSE 1/4-7/16 400MM
5	1	36-05-00200	MICROTUBO 1/4-7/16 800MM	MICRO-HOSE 1/4-7/16 800MM MANOMETER HOLDER
6	1	13-00-0162/1	NYLON SCARICO CONDENSA	CONDENSATE DISCHARGE NYLON
7	1	TUBRILSAN6X4/B	TUBO RILSAN 6X4 BLU ALTE TEMPERATURE	RILSAN HOSE 6X4 BLUE HIGH TEMPERATURE
8	1	RACC/E2L35F08	RACCORDO T F GIREVOLE 1/4-TUBO 6	FITTING T F TURNING 1/4-TUBE 6
9	1	13-04-0217/1	BLOCCHETTO ALLUMINIO 40x40x120 1/4NPT	ALUMINIUM BLOCK 40x40x120 1/4NPT
10	1	36-05-00240	MICROTUBO 1/4-7/16 L.300 MM	MICRO-HOSE 1/4-7/16 300MM
11	1	99.0.D1S4.0015	TUBO INOX HYPERFILTER-SEPARATORE HP SSTPS	TUBE INOX HYPERFILTER-HP SEPARATOR SSTPS
12	1	13-00-0125	RACCORDO 7/16-1/4 G	FITTING 7/16-1/4 G
13	1	36-07-053	RACCORDO 1/4 NPT - 1/4 NPT	FITTING 1/4 NPT - 1/4 NPT
14	1	13-05-0120	MAN.0-16 BAR/PSI CON FLANGIA	FLANGED PRESSURE GAUGE 0-16 BAR/PSI
15	1	13-05-0130	MAN.0-100 BAR/PSI CON FLANGIA	FLANGED PRESSURE GAUGE 0-100 BAR/PSI
16	1	13-04-0211/500	MANOMETRO 0-500BAR CON FLANGIA	MANOMETER 0-500BAR W/FLANGE
17	1	SC000927	PRESSOSTATO DIGITALE	DIGITAL PRESSURE SWITCH
18	1	99.0.D1S4.0010	TUBO INOX HYPERFILTER-VMP SSTPS	TUBE INOX HYPERFILTER-VMP SSTPS
19	1	13-00-0161/P	KIT RUBINETTO SCARICO CONDENSA 1/8 NPT	CONDENSATE DISCHARGE BODY VALVE 1/8 NPT KIT
20	9	36-07-006	VITE TCEI M3X10 INOX MCH36	SCREW TCEI M3X10 INOX MCH36
21	9	DA003I	DADO INOX AUTOBLOC. M3	SELF LOCKING NUT M3 INOX
22	11	GUAR1319	RONDELLA 1/4 IN RAME	COPPER WASHER 1/4
23	4	RON6I	RONDELLA M6 INOX DIN125	WASHER M6 INOX DIN125
24	4	VITE0610I	VITE T.C.E. INOX. 6x10 DIN912	SCREW T.C.E. INOX. 6x10 DIN912
25	2	13-00-0025/X	RACCORDO INOX 1/4NPT - 7/16 TUBO6	FITTING INOX 1/4NPT - 7/16 PIPE6
26	1	13-07-0003	TAPPO 1/4 NPT	PLUG 1/4 NPT
27	1	RAC/1/4/T	RACCORDO "T" FFF 1/4	FITTING "T" FFF 1/4
28	4	13-00-0025E/X	RACCORDO ERMETO G1/4-12x1.5 TUBO Ø6	FITTING ERMETO G1/4-12x1.5 TUBE Ø6
29	2	13-05-0492/P	VALVOLA DI NON RITORNO	NON-RETURN VALVE
30	2	RAC/1/4G-1/4G	RACCORDO DRITTO 1/4G M-1/4 G M	FITTING 1/4G M-1/4 G M
31	1	36-07-008/X	RACCORDO INOX 90° 1/4NPT - 7/16	FITTING INOX 90° 1/4NPT - 7/16
32	8	13-00-0101I	DADO INOX AUTOBLOC. M8	8MM SELF-LOCKING INOX NUT
33	2	13-04-0227	STAFFA INOX	INOX BRACKET
34	4	13-00-111	CAVALLOTTO M8 INOX HYPERFILTER 110MM	HOLDING BRACKET M8 INOX HYPERFILTER 110MM

CIRCUITO DI FILTRAZIONE - FILTERING CIRCUIT

Mod: SUPER SILENT TPS



SCARICO CONDENZA - CONDENSATE DISCHARGE

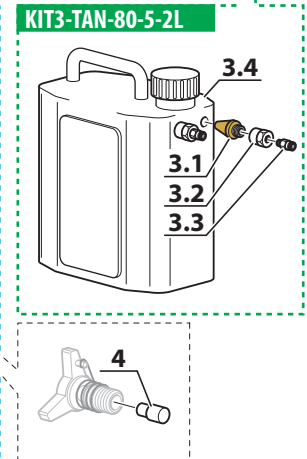
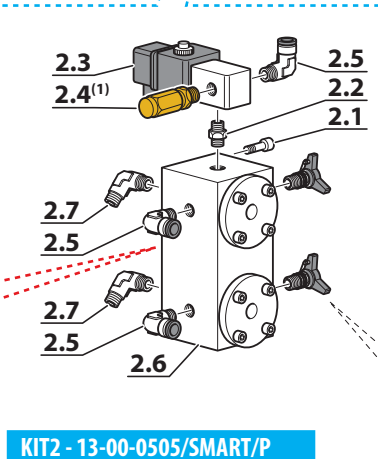
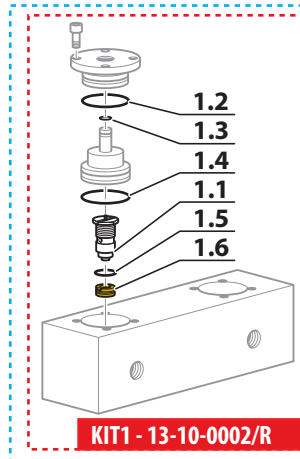
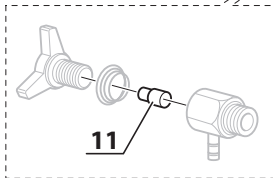
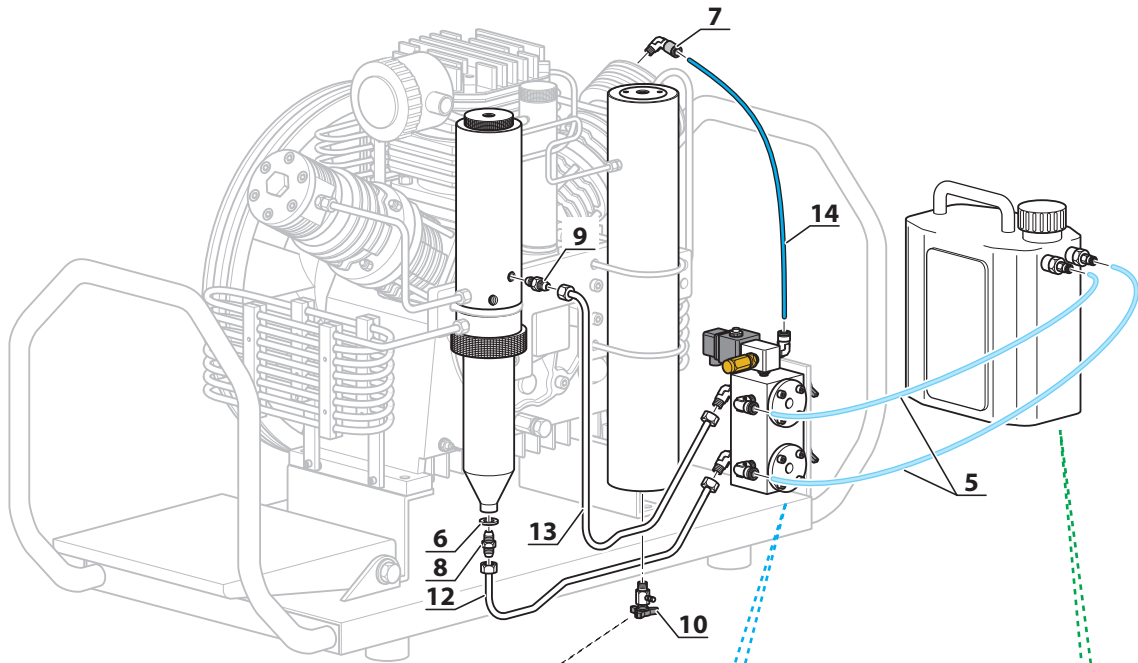
Mod: SMART (AUTOMATIC)

RIF. POS.	Q.TÀ Q.TY	CODICE CODE	DESCRIZIONE	DESCRIPTION
KIT1	1	13-10-0002/R	KIT INIETTORI SCARICO CONDENZA 2 VIE	KIT INJECTORS CONDENSATE 2 DRAIN
1.1	2		INIETTORE SCARICO CONDENZA	INJECTOR CONDENSATE DRAIN
1.2	2		O RING 2118 90SH (29.87X1.78)	O RING 2118 90SH (29.87X1.78)
1.3	2		O RING 2018 90SH (4,48X1,78)	O RING 2018 90SH (4,48X1,78)
1.4	2		O RING 2100 NBR 90SH	O RING 2100 NBR 90SH
1.5	2		O RING 114 90 SH	O RING 114 90 SH
1.6	2		FILTRO SINTERIZZATO	SINTERED FILTER
KIT2	1	13-00-0505/SMART/P	KIT BLOCCHETTO SCARICO CONDENZA SMART	SMART CONDENSATE DISCHARGE KIT
2.1	4		VITE T.C.E. INOX 6x10	SCREW T.C.E. INOX 6x10
2.2	1		RACCORDO 1/8 NPT - 1/8 GAS	FITTING 1/8 NPT - 1/8 GAS
2.3	1	13-04-0221/N	ELETR. LP SCAR. COND. 3VIE NC 1/8"NBR D.2 V.220/50-60	LP SOLENOID VALVE
2.4	1	13-00-0205	VALVOLA SICUREZZA 1° STADIO MCH-13-16 10BAR	1ST STAGE SAFETY VALVE MCH-13-16 10BAR
2.5	3		RACCORDO 90° M GIREVOLE 1/8 NPT-TUBO Ø6	FITTING 90° M TURNING 1/8 NPT-TUBE Ø6
2.6	1		CORPO VALVOLA SCARICO CONDENZA 2 VIE	CONDENSATE DISCHARGE 2 DRAIN VALVE BODY
2.7	2		RACCORDO E231-506L 1/8" NPT TUBO 6	FITTING E231-506L 1/8" NPT TUBE 6
KIT3	1	TAN-80-5-2L	KIT TANICA 5L CON 2 SILENZIATORI	KIT TANK 5L WITH 2 SILENCER
3.1	2		SILENZIATORE 3/8 FORO 3mm	3/8 E90A6004 SILENCER
3.2	2		RACCORDO 2553 1/8 3/8	FITTING 2553 1/8 3/8
3.3	2		RACCORDO M 1/8 NPT TUBO 6	FITTING M 1/8 NPT TUBO 6
3.4	1		TANICA TA 80 5L 2 FORI	TANK TA 80 5L 2 HOLE
4	1	13-00-0162	NYLON SCARICO CONDENZA	CONDENSATE DISCHARGE NYLON
5	1	TUBRILSAN6X4	TUBO RILSAN 6X4	RILSAN HOSE 6X4
6	1	GUAR1319	RONDELLA 1/4 IN RAME	COPPER WASHER 1/4
7	1	RACC/E2L31C08	RACCORDO 90° M GIREVOLE 1/8 NPT TUBO Ø6	FITTING 90° M TURNING 1/8 NPT TUBE Ø6
8	1	13-00-0025E/X	RACCORDO ERMETO G1/4-12x1.5 TUBO Ø6	FITTING ERMETO G1/4-12x1.5 TUBE Ø6
9	1	13-00-0174E/X	RACCORDO OGIVA TUBO Ø6 M12X1,5 - 1/8 NPT	FITTING OGIVE TUBE Ø6 M12X1,5 - 1/8 NPT
10	1	6-05-004	RUBINETTO SCARICO CONDENZA 1/8 NPT	CONDENSATE DISCHARGE VALVE 1/8 NPT
11	1	13-00-0162/1	NYLON SCARICO CONDENZA	CONDENSATE DISCHARGE NYLON
12	1	99.0.D1S4.0020	TUBO INOX SEPARATORE LP-BLOCCHETTO SMART	TUBE INOX SEPARATOR LP-BLOCK SMART
13	1	99.0.D1S4.0025	TUBO INOX SEPARATORE HP-BLOCCHETTO SMART	TUBE INOX SEPARATOR HP-BLOCK SMART
14	1	TUBRILSAN6X4/B	TUBO RILSAN 6X4 BLU ALTE TEMPERATURE	RILSAN HOSE 6X4 BLUE HIGH TEMPERATURE

SCARICO CONDENSA - CONDENSATE DISCHARGE

Mod: SMART (AUTOMATIC)

2.4⁽¹⁾ La valvola deve essere stretta con una coppia di serraggio di **20Nm** - The valve must be tightened with a torque of **20Nm**



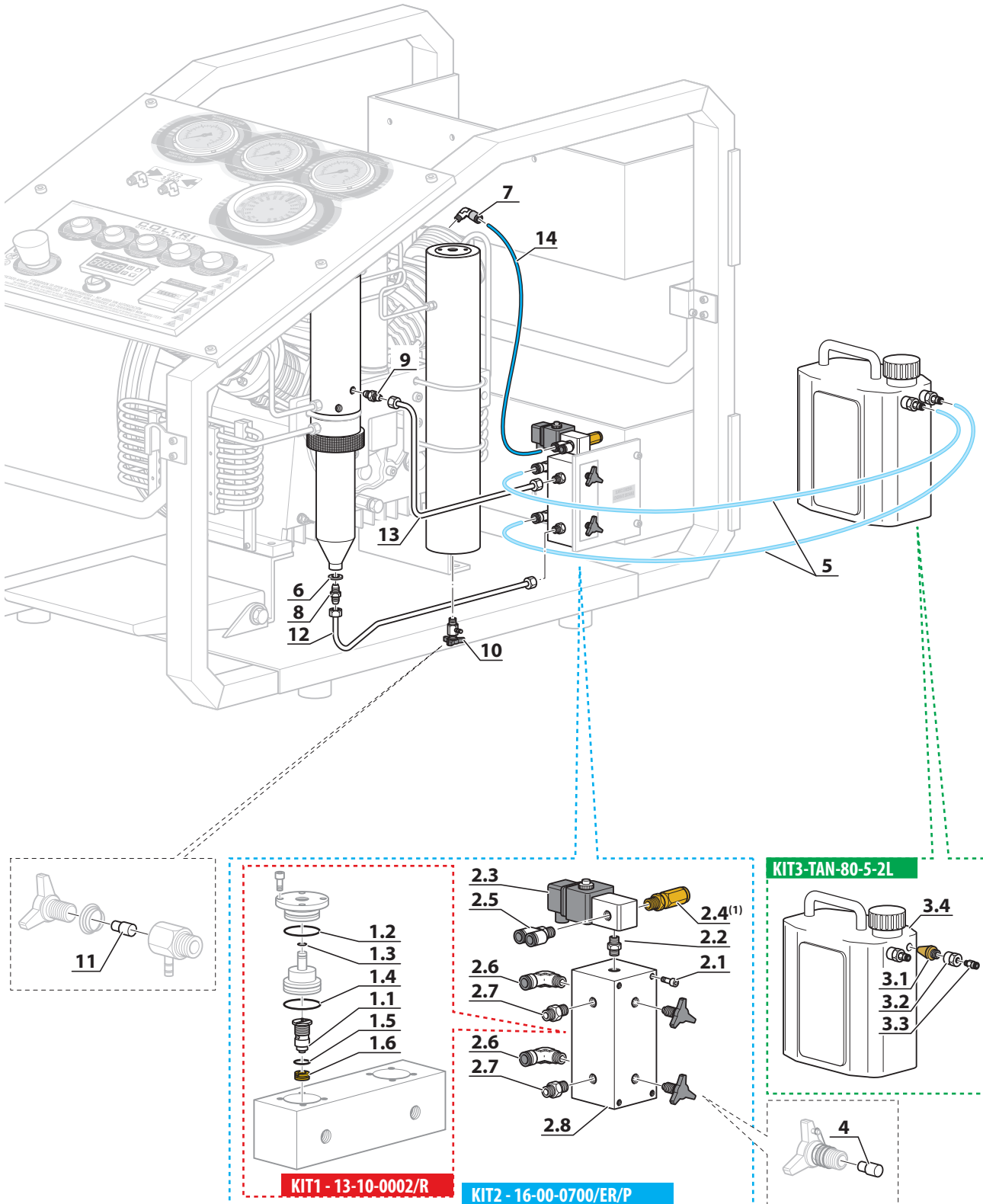
SCARICO CONDENSA - CONDENSATE DISCHARGE

Mod: ERGO

RIF. POS.	Q.TÀ Q.TY	CODICE CODE	DESCRIZIONE	DESCRIPTION
KIT1	1	13-10-0002/R	KIT INIETTORI SCARICO CONDENSA 2 VIE	KIT INJECTORS CONDENSATE 2 DRAIN
1.1	2		INIETTORE SCARICO CONDENSA	INJECTOR CONDENSATE DRAIN
1.2	2		O RING 2118 90SH (29.87X1.78)	O RING 2118 90SH (29.87X1.78)
1.3	2		O RING 2018 90SH (4,48X1,78)	O RING 2018 90SH (4,48X1,78)
1.4	2		O RING 2100 NBR 90SH	O RING 2100 NBR 90SH
1.5	2		O RING 114 90 SH	O RING 114 90 SH
1.6	2		FILTRO SINTERIZZATO	SINTERED FILTER
KIT2	1	16-00-0700/ER/P	KIT BLOCCHETTO SCARICO CONDENSA ERGO	ERGO CONDENSATE DISCHARGE KIT
2.1	4		VITE T.C.E. INOX 6x10	SCREW T.C.E. INOX 6x10
2.2	1		RACCORDO 1/8 NPT - 1/8 GAS	FITTING 1/8 NPT - 1/8 GAS
2.3	1	13-04-0221/N	ELETTR. LP SCAR. COND. 3VIE NC 1/8"NBR D.2 V.220/50-60	LP SOLENOID VALVE
2.4	1	13-00-0205	VALVOLA SICUREZZA 1° STADIO MCH-13-16 10BAR	1ST STAGE SAFETY VALVE MCH-13-16 10BAR
2.5	1		RACCORDO M 1/8 2 USCITE TUBO RILSAN Ø6	FITTING M 1/8 2 EXIT PIPE RILSAN Ø6
2.6	2		RACCORDO 90° M GIREVOLE 1/8 NPT-TUBO Ø6	FITTING 90° M TURNING 1/8 NPT-TUBE Ø6
2.7	2		RACCORDO OGIVA TUBO Ø6 M12X1,5 - 1/8 NPT	FITTING OGIVE TUBE Ø6 M12X1,5 - 1/8 NPT
2.8	1		CORPO VALVOLA SCARICO CONDENSA 2 VIE	CONDENSATE DISCHARGE 2 DRAIN VALVE BODY
KIT3	1	TAN-80-5-2L	KIT TANICA 5L CON 2 SILENZIATORI	KIT TANK 5L WITH 2 SILENCER
3.1	2		SILENZIATORE 3/8 FORO 3mm	3/8 E90A6004 SILENCER
3.2	2		RACCORDO 2553 1/8 3/8	FITTING 2553 1/8 3/8
3.3	2		RACCORDO M 1/8 NPT TUBO 6	FITTING M 1/8 NPT TUBO 6
3.4	1		TANICA TA 80 5L 2 FORI	TANK TA 80 5L 2 HOLE
4	1	13-00-0162	NYLON SCARICO CONDENSA	CONDENSATE DISCHARGE NYLON
5	1	TUBRILSAN6X4	TUBO RILSAN 6X4	RILSAN HOSE 6X4
6	1	GUAR1319	RONDELLA 1/4 IN RAME	COPPER WASHER 1/4
7	1	RACC/E2L31C08	RACCORDO 90° M GIREVOLE 1/8 NPT TUBO Ø6	FITTING 90° M TURNING 1/8 NPT TUBE Ø6
8	1	13-00-0025E/X	RACCORDO ERMETO G1/4-12x1.5 TUBO Ø6	FITTING ERMETO G1/4-12x1.5 TUBE Ø6
9	1	13-00-0174E/X	RACCORDO OGIVA TUBO Ø6 M12X1,5 - 1/8 NPT	FITTING OGIVE TUBE Ø6 M12X1,5 - 1/8 NPT
10	1	6-05-004	RUBINETTO SCARICO CONDENSA 1/8 NPT	CONDENSATE DISCHARGE VALVE 1/8 NPT
11	1	13-00-0162/1	NYLON SCARICO CONDENSA	CONDENSATE DISCHARGE NYLON
12	1	99.0.D1S4.0050	TUBO INOX SEPARATORE LP-BLOCCHETTO ERGO	TUBE INOX SEPARATOR LP-BLOCK ERGO
13	1	99.0.D1S4.0055	TUBO INOX SEPARATORE HP-BLOCCHETTO ERGO	TUBE INOX SEPARATOR HP-BLOCK ERGO
14	1	TUBRILSAN6X4/B	TUBO RILSAN 6X4 BLU ALTE TEMPERATURE	RILSAN HOSE 6X4 BLUE HIGH TEMPERATURE

SCARICO CONDENZA - CONDENSATE DISCHARGE Mod: ERGO

2.4⁽¹⁾ La valvola deve essere stretta con una coppia di serraggio di **20Nm** - The valve must be tightened with a torque of **20Nm**



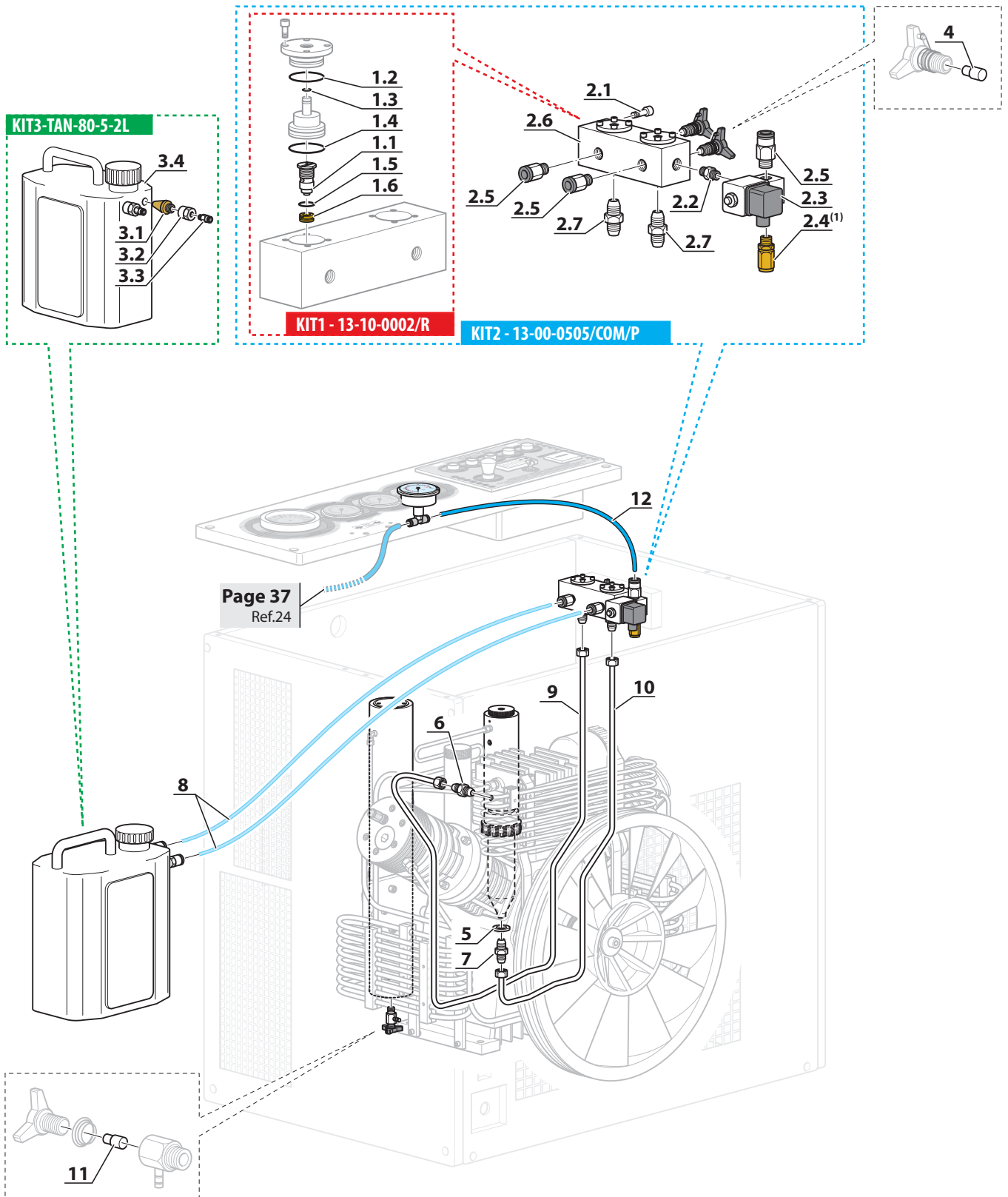
SCARICO CONDENSA - CONDENSATE DISCHARGE

Mod: COMPACT EVO

RIF. POS.	Q.TÀ Q.TY	CODICE CODE	DESCRIZIONE	DESCRIPTION
KIT1	1	13-10-0002/R	KIT INIETTORI SCARICO CONDENSA	KIT INJECTORS CONDENSATE DRAIN
1.1	2		INIETTORE SCARICO CONDENSA	INJECTOR CONDENSATE DRAIN
1.2	2		O RING 2118 90SH (29.87X1.78)	O RING 2118 90SH (29.87X1.78)
1.3	2		O RING 2018 90SH (4,48X1,78)	O RING 2018 90SH (4,48X1,78)
1.4	2		O RING 2100 NBR 90SH	O RING 2100 NBR 90SH
1.5	2		O RING 114 90 SH	O RING 114 90 SH
1.6	2		FILTRO SINTERIZZATO	SINTERED FILTER
KIT2	1	13-00-0505/COM/P	KIT BLOCCHETTO SCARICO CONDENSA COMPACT	COMPACT CONDENSATE DISCHARGE KIT
2.1	4		VITE T.C.E. INOX 6x10	SCREW T.C.E. INOX 6x10
2.2	1		RACCORDO 1/8 NPT - 1/8 GAS	FITTING 1/8 NPT - 1/8 GAS
2.3	1	13-04-0221/N	ELETR. LP SCAR. COND. 3VIE NC 1/8"NBR D.2 V.220/50-60	LP SOLENOID VALVE
2.4	1	13-00-0205	VALVOLA SICUREZZA 1° STADIO MCH-13-16 10BAR	1ST STAGE SAFETY VALVE MCH-13-16 10BAR
2.5	3		RACCORDO M 1/8 NPT TUBO 6	FITTING M 1/8 NPT TUBO 6
2.6	1		CORPO VALVOLA SCARICO CONDENSA 2 VIE	CONDENSATE DISCHARGE 2 DRAIN VALVE BODY
2.7	2		RACCORDO OGIVA TUBO Ø6 M12X1,5 - 1/8 NPT	FITTING OGIVE TUBE Ø6 M12X1,5 - 1/8 NPT
KIT3	1	TAN-80-5-2L	KIT TANICA 5L CON 2 SILENZIATORI	KIT TANK 5L WITH 2 SILENCER
3.1	2		SILENZIATORE 3/8 FORO 3mm	3/8 E90A6004 SILENCER
3.2	2		RACCORDO 2553 1/8 3/8	FITTING 2553 1/8 3/8
3.3	2		RACCORDO M 1/8 NPT TUBO 6	FITTING M 1/8 NPT TUBO 6
3.4	1		TANICA TA 80 5L 2 FORI	TANK TA 80 5L 2 HOLE
4	1	13-00-0162	NYLON SCARICO CONDENSA	CONDENSATE DISCHARGE NYLON
5	1	GUAR1319	RONDELLA 1/4 IN RAME	COPPER WASHER 1/4
6	1	13-00-0174E/X	RACCORDO OGIVA TUBO Ø6 M12X1,5 - 1/8 NPT	FITTING OGIVE TUBE Ø6 M12X1,5 - 1/8 NPT
7	1	13-00-0025E/X	RACCORDO ERMETO G1/4-12x1.5 TUBO Ø6	FITTING ERMETO G1/4-12x1.5 TUBE Ø6
8	1	TUBRILSAN6X4	TUBO RILSAN 6X4	RILSAN HOSE 6X4
9	1	13-04-0286/SS/P	TUBO INOX SEPARATORE HP-BLOCCHETTO COMPACT	TUBE INOX SEPARATOR HP-BLOCK COMPACT
10	1	13-04-0284/SS/P	TUBO INOX SEPARATORE LP-BLOCCHETTO ERGO	TUBE INOX SEPARATOR LP-BLOCK ERGO
11	1	13-00-0162/1	NYLON SCARICO CONDENSA	CONDENSATE DISCHARGE NYLON
12	1	TUBRILSAN6X4/B	TUBO RILSAN 6X4 BLU ALTE TEMPERATURE	RILSAN HOSE 6X4 BLUE HIGH TEMPERATURE

SCARICO CONDENSA - CONDENSATE DISCHARGE

Mod: COMPACT EVO

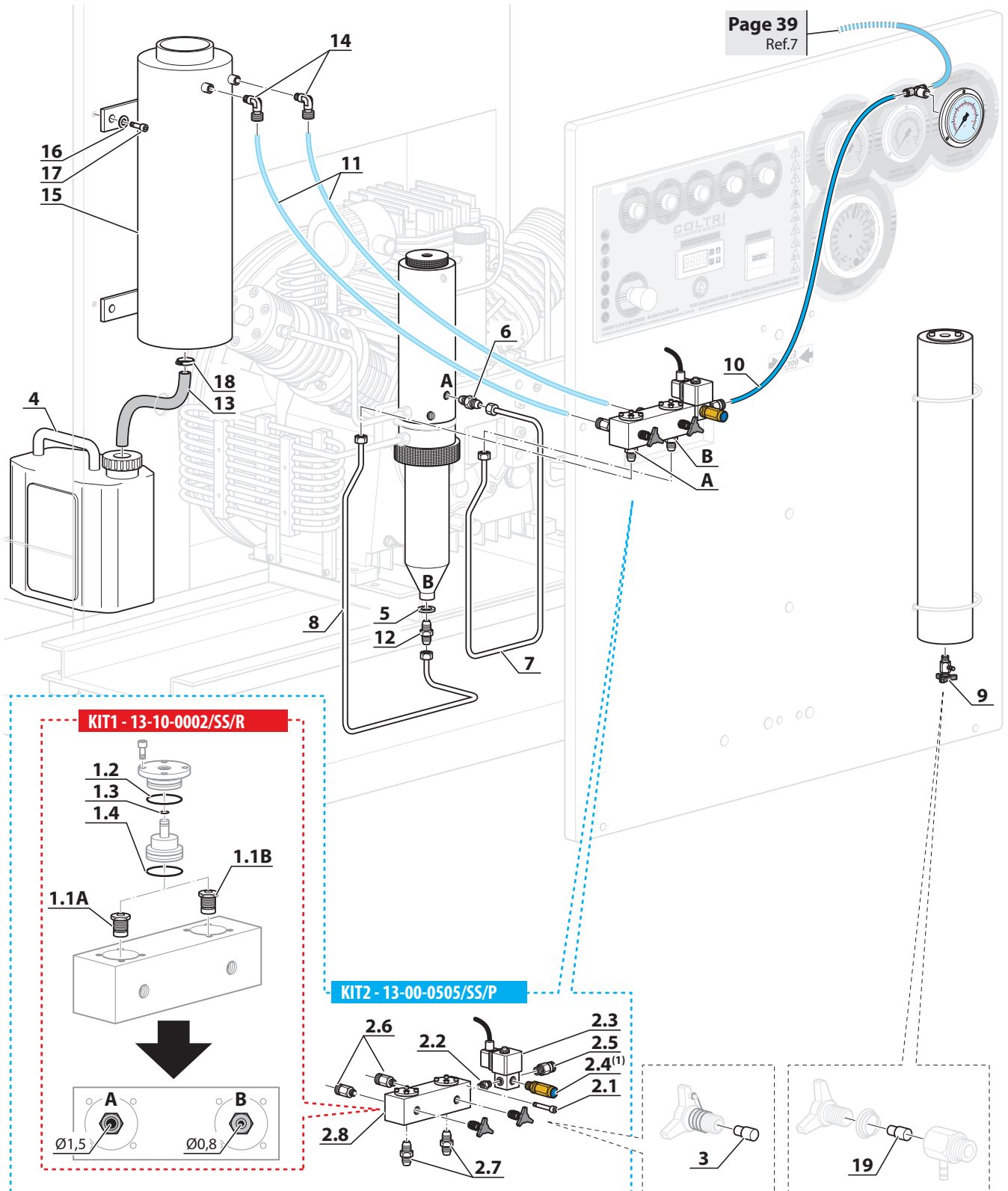


2.4⁽¹⁾ La valvola deve essere stretta con una coppia di serraggio di 20Nm - The valve must be tightened with a torque of 20Nm

SCARICO CONDENZA - CONDENSATE DISCHARGE
Mod: SUPER SILENT EVO

RIF. POS.	Q.TÀ Q.TY	CODICE CODE	DESCRIZIONE	DESCRIPTION
KIT1	1	13-10-0002/SS/R	KIT UGELLI SCARICO CONDENZA SUPER SILENT EVO	KIT NOZZLES CONDENSATE DRAIN SUPER SILENT EVO
1.1A	1		UGELLO SCARICO CONDENZA Ø1,5	NOZZLE CONDENSATE DRAIN Ø1,5
1.1B	1		UGELLO SCARICO CONDENZA Ø0,8	NOZZLE CONDENSATE DRAIN Ø0,8
1.2	2		O RING 2118 90SH (29.87X1.78)	O RING 2118 90SH (29.87X1.78)
1.3	2		O RING 2018 90SH (4,48X1,78)	O RING 2018 90SH (4,48X1,78)
1.4	2		O RING 2100 NBR 90SH	O RING 2100 NBR 90SH
KIT2	1	13-00-0505/SS/P	KIT BLOCCHETTO SCARICO CONDENZA SSEVO	SSEVO CONDENSATE DISCHARGE KIT
2.1	4		VITE T.C.E. INOX 6x10	SCREW T.C.E. INOX 6x10
2.2	1		RACCORDO 1/8 NPT - 1/8 GAS	FITTING 1/8 NPT - 1/8 GAS
2.3	1	13-04-0221/N	ELETTR. LP SCAR. COND. 3 VIE NC 1/8" NBR D.2 V.220/50-60	LP SOLENOID VALVE
2.4	1	13-00-0205	VALVOLA SICUREZZA 1° STADIO MCH-13-16 10BAR	1ST STAGE SAFETY VALVE MCH-13-16 10BAR
2.5	1		RACCORDO 1/8 M-TUBO 6	FITTING 1/8 M-TUBE 6
2.6	2		RACCORDO 1/8 M-TUBO 8	FITTING 1/8 M-TUBE 8
2.7	2		RACCORDO OGIVA TUBO Ø6 M12X1,5 - 1/8 NPT	FITTING OGIVE TUBE Ø6 M12X1,5 - 1/8 NPT
2.8	1		CORPO VALVOLA SCARICO CONDENZA 2 VIE	CONDENSATE DISCHARGE 2 DRAIN VALVE BODY
3	1	13-00-0162	NYLON SCARICO CONDENZA	CONDENSATE DISCHARGE NYLON
4	1	TAN/80/5-1T	TANICA SC 5L 1 FORO 25MM SU TAPPO	SC TANK 5L 1HOLE 25MM PLUG
5	1	GUAR1319	RONDELLA 1/4 IN RAME	COPPER WASHER 1/4
6	1	13-00-0174E/X	RACCORDO OGIVA TUBO Ø6 M12X1,5 - 1/8 NPT	FITTING OGIVE TUBE Ø6 M12X1,5 - 1/8 NPT
7	2	13-04-0287/SS/P	TUBO INOX BLOCCHETTO-SEPARATORE SUP S.S.E.	BLOCK-SEPARATOR UP INOX HOSE S.S.E.
8	1	13-04-0322/SS/P	TUBO INOX BLOCCHETTO-SEPARATORE INF S.S.E.	BLOCK-SEPARATOR DOWN INOX HOSE S.S.E.
9	1	6-05-004	RUBINETTO SCARICO CONDENZA 1/8 NPT	CONDENSATE DISCHARGE BODY VALVE 1/8 NPT
10	1	TUBRILSAN6X4/B	TUBO RILSAN 6X4 BLU ALTE TEMPERATURE	RILSAN HOSE 6X4 BLUE HIGH TEMPERATURE
11	1	TUBRILSAN8X6	TUBO RILSAN 8X6	RILSAN HOSE 8X6
12	1	13-00-0025E/X	RACCORDO ERMETO G1/4-12x1.5 TUBO Ø6	FITTING ERMETO G1/4-12x1.5 TUBE Ø6
13	1	36-07-080	TUBO S.C. Ø16x23 L. 120 mm	HOSE S.C. Ø16x23 L. 120 mm
14	2	RAC1500-8/6-1/4	RACCORDO A 90° 1500 8/6 1/4	FITTING 90° 1500 8/6 1/4
15	1	13-07-074	SERBATOIO SCARICO CONDENZA MOD.SILENT	CONDENSATE DISCHARGE TANK MOD.SILENT
16	4	RON6Z	RONDELLA PIANA ZINC. M6	PLAIN WASHER ZINC. M6 DIN 125A
17	4	VITE0620I	VITE TCEI INOX 6X20	SCREW TCEI INOX 6X20
18	1	FASC/3B/17/29	FASCETTA STRING. 3B D.17/29	CLAMP 3B D.17/29
19	1	13-00-0162	NYLON SCARICO CONDENZA	CONDENSATE DISCHARGE NYLON

SCARICO CONDENSA - CONDENSATE DISCHARGE
Mod: SUPER SILENT EVO



SCARICO CONDENSA - CONDENSATE DISCHARGE

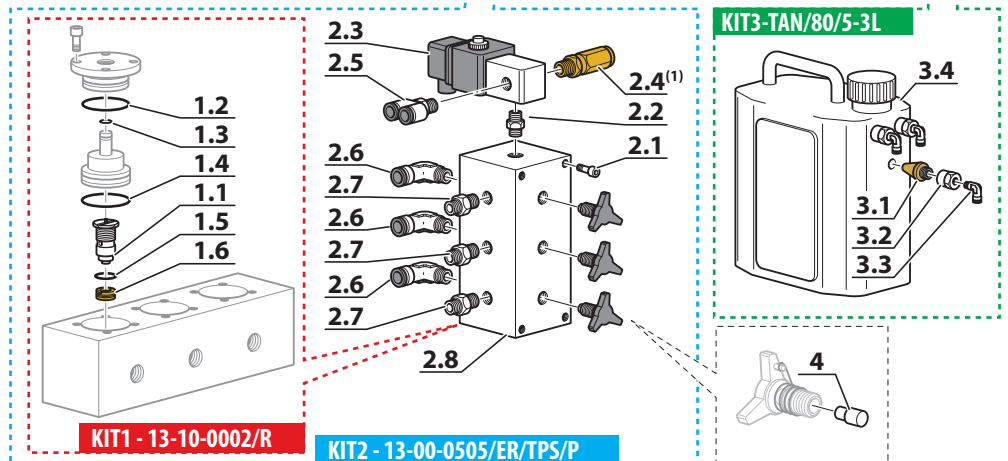
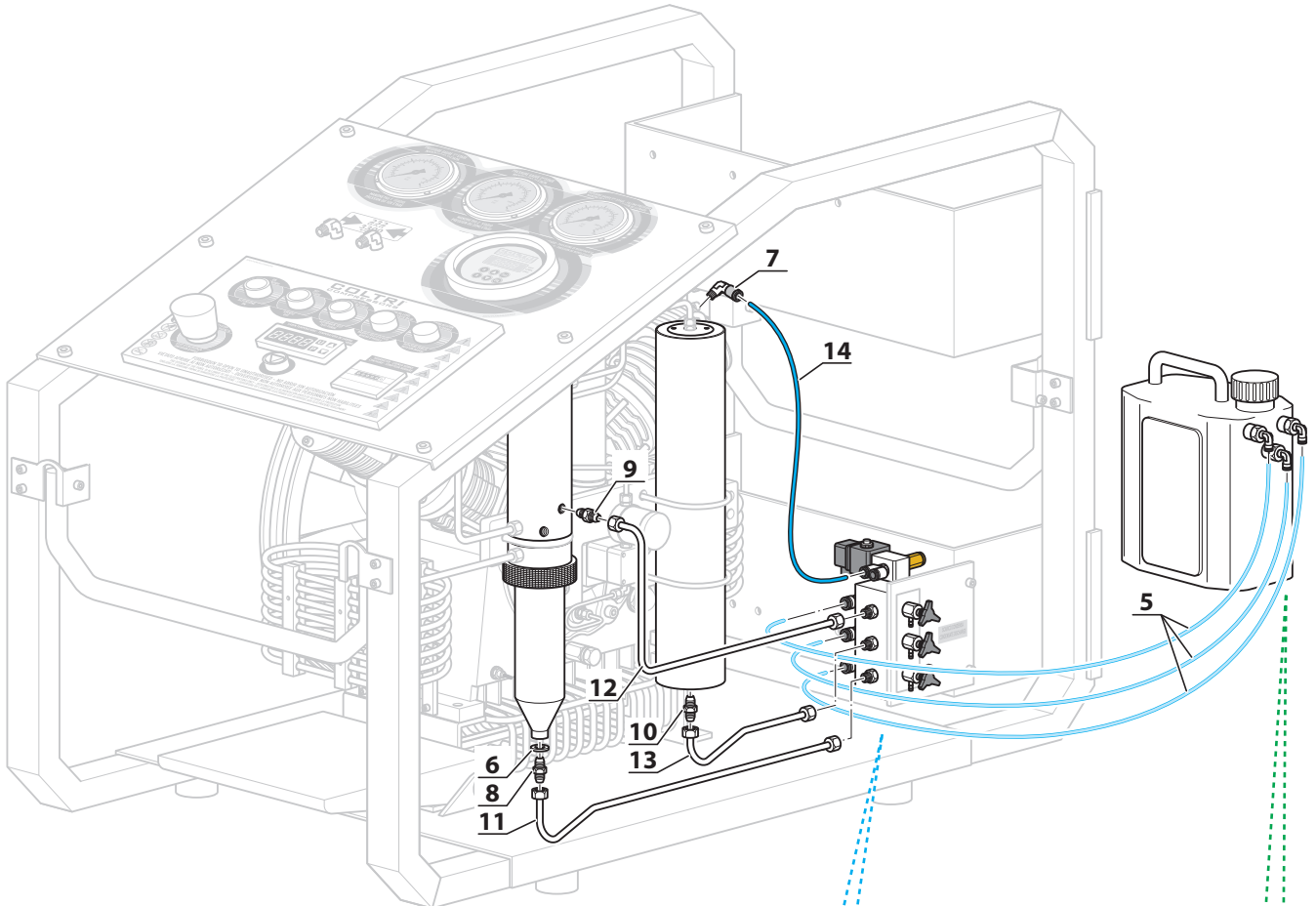
Mod: ERGO TPS

RIF. POS.	Q.TÀ Q.TY	CODICE CODE	DESCRIZIONE	DESCRIPTION
KIT1	1	13-10-0002/R	KIT INIETTORI SCARICO CONDENSA	KIT INJECTORS CONDENSATE DRAIN
1.1	3		INIETTORE SCARICO CONDENSA	INJECTOR CONDENSATE DRAIN
1.2	3		O RING 2118 90SH (29.87X1.78)	O RING 2118 90SH (29.87X1.78)
1.3	3		O RING 2018 90SH (4,48X1,78)	O RING 2018 90SH (4,48X1,78)
1.4	3		O RING 2100 NBR 90SH	O RING 2100 NBR 90SH
1.5	3		O RING 114 90 SH	O RING 114 90 SH
1.6	3		FILTRO SINTERIZZATO	SINTERED FILTER
KIT2	1	13-00-0505/ER/TPS/P	KIT BLOCCHETTO SCARICO CONDENSA ERGO TPS	ERGO TPS CONDENSATE DISCHARGE KIT
2.1	4		VITE T.C.E. INOX 6x10	SCREW T.C.E. INOX 6x10
2.2	1		RACCORDO 1/8 NPT - 1/8 GAS	FITTING 1/8 NPT - 1/8 GAS
2.3	1	13-04-0221/N	ELETR. LP SCAR. COND. 3VIE NC 1/8"NBR D.2 V.220/50-60	LP SOLENOID VALVE
2.4	1	13-00-0205	VALVOLA SICUREZZA 1° STADIO MCH-13-16 10BAR	1ST STAGE SAFETY VALVE MCH-13-16 10BAR
2.5	1		RACCORDO M 1/8 2 USCITE TUBO RILSAN Ø6	FITTING M 1/8 2 EXIT PIPE RILSAN Ø6
2.6	3		RACCORDO 90° M GIREVOLE 1/8 NPT-TUBO Ø6	FITTING 90° M TURNING 1/8 NPT-TUBE Ø6
2.7	3		RACCORDO OGIVA TUBO Ø6 M12X1,5 - 1/8 NPT	FITTING OGIVE TUBE Ø6 M12X1,5 - 1/8 NPT
2.8	1		CORPO VALVOLA SCARICO CONDENSA 3 VIE	CONDENSATE DISCHARGE 3 DRAIN VALVE BODY
KIT3	1	TAN/80/5-3L	KIT TANICA 5L CON 3 SILENZIATORI	KIT TANK 5L WITH 3 SILENCER
3.1	3		SILENZIATORE 3/8 FORO 3mm	3/8 E90A6004 SILENCER
3.2	3		RACCORDO 2553 1/8 3/8	FITTING 2553 1/8 3/8
3.3	3		RACCORDO 90° M GIREVOLE 1/8 NPT-TUBO Ø6	FITTING 90° M TURNING 1/8 NPT-TUBE Ø6
3.4	1		TANICA TA 80 5L 2 FORI	TANK TA 80 5L 2 HOLE
4	1	13-00-0162	NYLON SCARICO CONDENSA	CONDENSATE DISCHARGE NYLON
5	1	TUBRILSAN6X4	TUBO RILSAN 6X4	RILSAN HOSE 6X4
6	1	GUAR1319	RONDELLA 1/4 IN RAME	COPPER WASHER 1/4
7	1	RACC/E2L31C08	RACCORDO 90° M GIREVOLE 1/8 NPT-TUBO Ø6	FITTING 90° M TURNING 1/8 NPT-TUBE Ø6
8	1	13-00-0025E/X	RACCORDO ERMETO G1/4-12x1.5 TUBO Ø6	FITTING ERMETO G1/4-12x1.5 TUBE Ø6
9	1	13-00-0174E/X	RACCORDO OGIVA TUBO Ø6 M12X1,5 - 1/8 NPT	FITTING OGIVE TUBE Ø6 M12X1,5 - 1/8 NPT
10	1	13-07-0001	RACCORDO OGIVA TUBO Ø6-1/4 NPT	FITTING OGIVE TUBE Ø6-1/4 NPT
11	1	99.0.D1S4.0050	TUBO INOX SEPARATORE LP-BLOCCHETTO ERGO	TUBE INOX SEPARATOR LP-BLOCK ERGO
12	1	99.0.D1S4.0055	TUBO INOX SEPARATORE HP-BLOCCHETTO ERGO	TUBE INOX SEPARATOR HP-BLOCK ERGO
13	1	99.0.D1S4.0060	TUBO INOX SEPARATORE HP HE-BLOCCHETTO ERGO	TUBE INOX SEPARATOR HP HE-BLOCK ERGO
14	1	TUBRILSAN6X4/B	TUBO RILSAN 6X4 BLU ALTE TEMPERATURE	RILSAN HOSE 6X4 BLUE HIGH TEMPERATURE

SCARICO CONDENZA - CONDENSATE DISCHARGE

Mod: ERGO TPS

2.4⁽¹⁾ La valvola deve essere stretta con una coppia di serraggio di **20Nm** - The valve must be tightened with a torque of **20Nm**

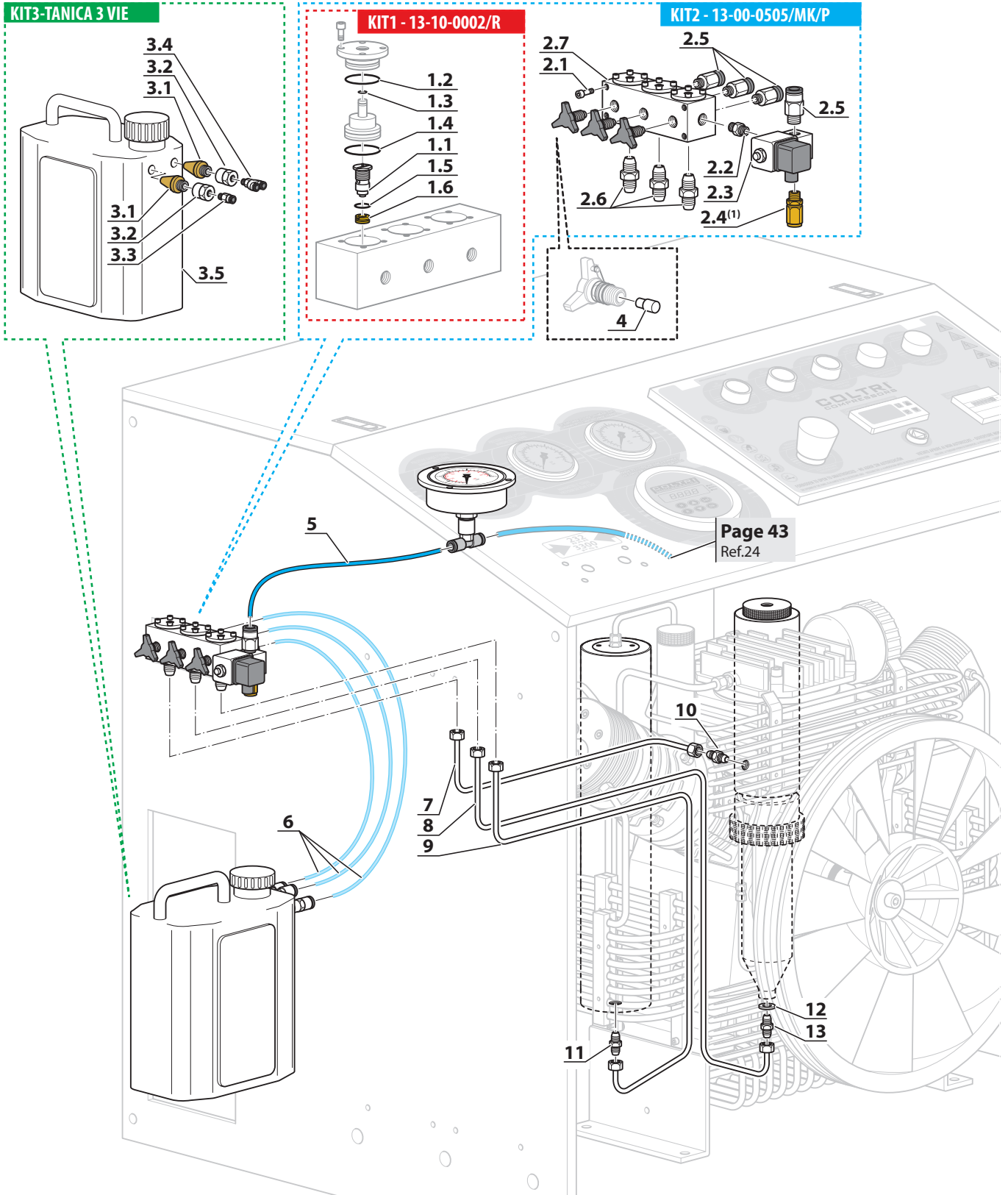


SCARICO CONDENSA - CONDENSATE DISCHARGE
Mod: MARK3 TPS

RIF. POS.	Q.TÀ Q.TY	CODICE CODE	DESCRIZIONE	DESCRIPTION
KIT1	1	13-10-0002/R	KIT INIETTORI SCARICO CONDENSA	KIT INJECTORS CONDENSATE DRAIN
1.1	3		INIETTORE SCARICO CONDENSA	INJECTOR CONDENSATE DRAIN
1.2	3		O RING 2118 90SH (29.87X1.78)	O RING 2118 90SH (29.87X1.78)
1.3	3		O RING 2018 90SH (4,48X1,78)	O RING 2018 90SH (4,48X1,78)
1.4	3		O RING 2100 NBR 90SH	O RING 2100 NBR 90SH
1.5	3		O RING 114 90 SH	O RING 114 90 SH
1.6	3		FILTRO SINTERIZZATO	SINTERED FILTER
KIT2	1	13-00-0505/MK/P	KIT BLOCCHETTO SCARICO CONDENSA MARK3	MARK3 CONDENSATE DISCHARGE KIT
2.1	4		VITE T.C.E. INOX 6x10	SCREW T.C.E. INOX 6x10
2.2	1		RACCORDO 1/8 NPT - 1/8 GAS	FITTING 1/8 NPT - 1/8 GAS
2.3	1	13-04-0221/N	ELETR. LP SCAR. COND. 3VIE NC 1/8"NBR D.2 V.220/50-60	LP SOLENOID VALVE
2.4	1	13-00-0205	VALVOLA SICUREZZA 1° STADIO MCH-13-16 10BAR	1ST STAGE SAFETY VALVE MCH-13-16 10BAR
2.5	4		RACCORDO 1/8 M-TUBO 6	FITTING 1/8 M-TUBE 6
2.6	3		RACCORDO OGIVA TUBO Ø6 M12X1,5 - 1/8 NPT	FITTING OGIVE TUBE Ø6 M12X1,5 - 1/8 NPT
2.7	1		CORPO VALVOLA SCARICO CONDENSA 3 VIE	CONDENSATE DISCHARGE 3 DRAIN VALVE BODY
KIT3	1	TANICA 3 VIE	KIT TANICA 5L CON 3 SILENZIATORI	KIT TANK 5L WITH 3 SILENCER
3.1	2		SILENZIATORE 3/8 FORO 3mm	3/8 E90A6004 SILENCER
3.2	2		RACCORDO 2553 1/8 3/8	2553 1/8 3/8 FITTING
3.3	1		RACCORDO CON OR 1/8M TUBO 6	FITTING WITH OR E2L01007 1/8M TUBE 6
3.4	1		RACCORDO CON OR 1/8M TUBO 6 2 USCITE	FITTING WITH OR E2L01007 1/8M TUBE 6 2 OUTPUT
3.5	1		TANICA TA 80 5L 2 FORI	TANK TA 80 5L 2 HOLE
4	1	13-00-0162	NYLON SCARICO CONDENSA	CONDENSATE DISCHARGE NYLON
5	1	TUBRILSAN6X4/B	TUBO RILSAN 6X4 BLU ALTE TEMPERATURE	RILSAN HOSE 6X4 BLUE HIGH TEMPERATURE
6	1	TUBRILSAN6X4	TUBO RILSAN 6X4	RILSAN HOSE 6X4
7	1	99.0.D1S4.0085	TUBO INOX SEPARATORE HP-BLOCCHETTO MARK3	TUBE INOX SEPARATOR HP-BLOCK MARK3
8	1	99.0.D1S4.0080	TUBO INOX SEPARATORE LP-BLOCCHETTO MARK3	TUBE INOX SEPARATOR LP-BLOCK MARK3
9	1	99.0.D1S4.0095	TUBO INOX SEPARATORE HP HE-BLOCCHETTO MARK3	TUBE INOX SEPARATOR HP HE-BLOCK MARK3
10	1	13-00-0174E/X	RACCORDO OGIVA TUBO Ø6 M12X1,5 - 1/8 NPT	FITTING OGIVE TUBE Ø6 M12X1,5 - 1/8 NPT
11	1	13-07-0001	RACCORDO OGIVA TUBO Ø6-1/4 NPT	FITTING OGIVE TUBE Ø6-1/4 NPT
12	1	GUAR1319	RONDELLA 1/4 IN RAME	COPPER WASHER 1/4
13	1	13-00-0025E/X	RACCORDO ERMETO G1/4-12x1.5 TUBO Ø6	FITTING ERMETO G1/4-12x1.5 TUBE Ø6

SCARICO CONDENSA - CONDENSATE DISCHARGE

Mod: MARK3 TPS



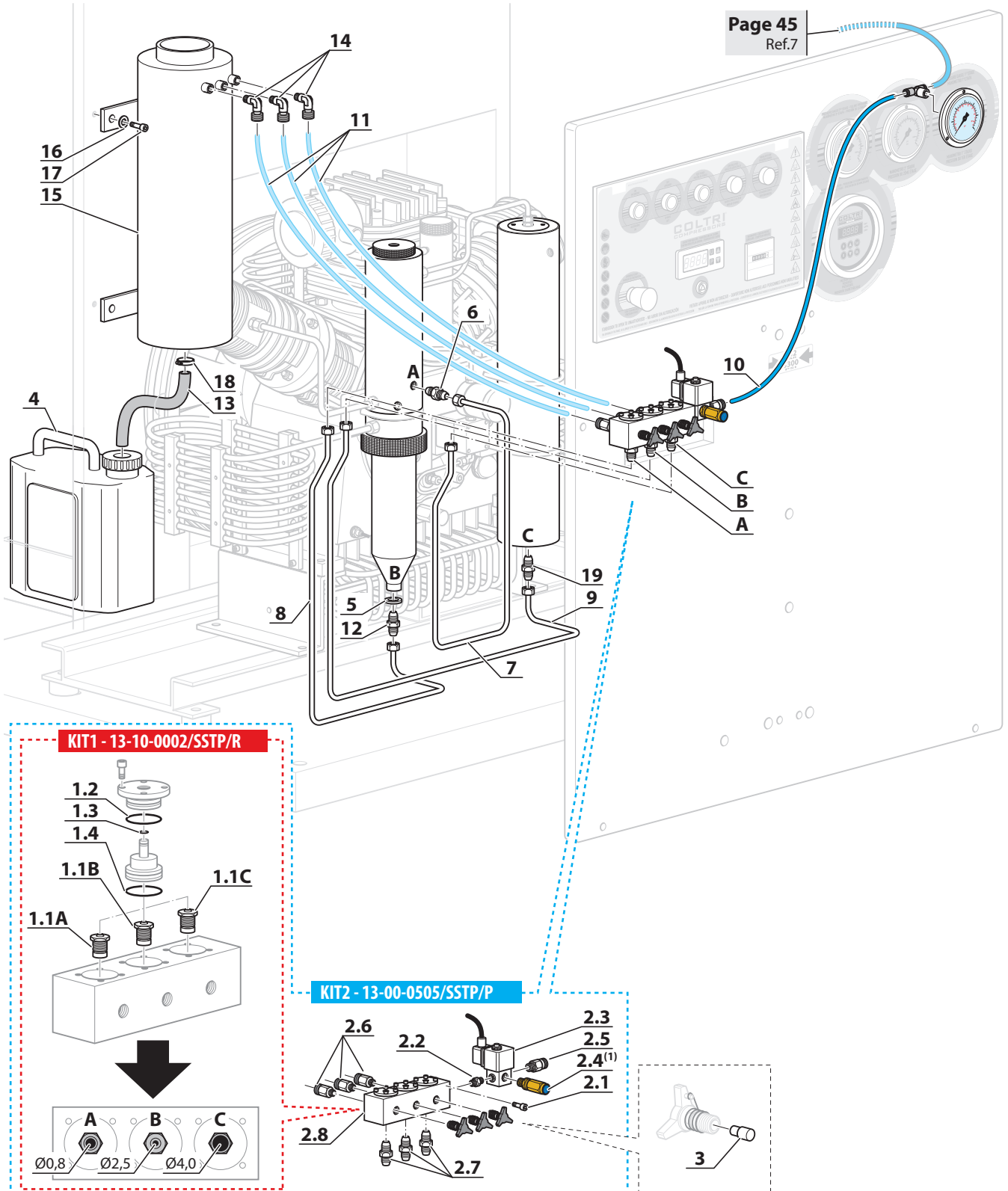
2.4⁽¹⁾ La valvola deve essere stretta con una coppia di serraggio di **20Nm** - The valve must be tightened with a torque of **20Nm**

SCARICO CONDENZA - CONDENSATE DISCHARGE

Mod: SUPER SILENT TPS

RIF. POS.	Q.TÀ Q.TY	CODICE CODE	DESCRIZIONE	DESCRIPTION
KIT1	1	13-10-0002/SSTP/R	KIT UGELLI SCARICO CONDENZA SUPER SILENT EVO TROPICAL PLUS	KIT NOZZLES CONDENSATE DRAIN SUPER SILENT EVO TROPICAL PLUS
1.1A	2		UGELLO SCARICO CONDENZA Ø0,8	NOZZLE CONDENSATE DRAIN Ø0,8
1.1B	1		UGELLO SCARICO CONDENZA Ø2,5	NOZZLE CONDENSATE DRAIN Ø2,5
1.1C	1		UGELLO SCARICO CONDENZA Ø4,0	NOZZLE CONDENSATE DRAIN Ø4,0
1.2	3		O RING 2118 90SH (29.87X1.78)	O RING 2118 90SH (29.87X1.78)
1.3	3		O RING 2018 90SH (4,48X1,78)	O RING 2018 90SH (4,48X1,78)
1.4	3		O RING 2100 NBR 90SH	O RING 2100 NBR 90SH
KIT2	1	13-00-0505/SSTP/P	KIT BLOCCHETTO SCARICO CONDENZA SSEVO	SSEVO CONDENSATE DISCHARGE KIT
2.1	4		VITE T.C.E. INOX 6x10	SCREW T.C.E. INOX 6x10
2.2	1		RACCORDO 1/8 NPT - 1/8 GAS	FITTING 1/8 NPT - 1/8 GAS
2.3	1	13-04-0221/N	ELETTR. LP SCAR. COND. 3 VIE NC 1/8" NBR D.2 V.220/50-60	LP SOLENOID VALVE
2.4	1	13-00-0205	VALVOLA SICUREZZA 1° STADIO MCH-13-16 10BAR	1ST STAGE SAFETY VALVE MCH-13-16 10BAR
2.5	1		RACCORDO 1/8 M-TUBO 6	FITTING 1/8 M-TUBE 6
2.6	3		RACCORDO 1/8 M-TUBO 8	FITTING 1/8 M-TUBE 8
2.7	3		RACCORDO OGIVA TUBO Ø6 M12X1,5 - 1/8 NPT	FITTING OGIVE TUBE Ø6 M12X1,5 - 1/8 NPT
2.8	1		CORPO VALVOLA SCARICO CONDENZA 2 VIE	CONDENSATE DISCHARGE 2 DRAIN VALVE BODY
3	1	13-00-0162	NYLON SCARICO CONDENZA	CONDENSATE DISCHARGE NYLON
4	1	TAN/80/5-1T	TANICA SC 5L 1 FORO 25MM SU TAPPO	SC TANK 5L 1HOLE 25MM PLUG
5	1	GUAR1319	RONDELLA 1/4 IN RAME	COPPER WASHER 1/4
6	1	13-00-0174E/X	RACCORDO OGIVA TUBO Ø6 M12X1,5 - 1/8 NPT	FITTING OGIVE TUBE Ø6 M12X1,5 - 1/8 NPT
7	2	13-04-0287/SS/P	TUBO INOX BLOCCHETTO-SEPARATORE SUP S.S.E.	TUBE INOX BLOCK-SEPARATOR UP S.S.E.
8	1	13-04-0322/SS/P	TUBO INOX BLOCCHETTO-SEPARATORE INF S.S.E.	TUBE INOX BLOCK-SEPARATOR DOWN S.S.E.
9	1	99.0.D1S4.0005	TUBO INOX BLOCCHETTO-SEPARATORE HE SSE TPS	TUBE INOX BLOCK-SEPARATOR HE SSE TPS
10	1	TUBRILSAN6X4/B	TUBO RILSAN 6X4 BLU ALTE TEMPERATURE	RILSAN HOSE 6X4 BLUE HIGH TEMPERATURE
11	1	TUBRILSAN8X6	TUBO RILSAN 8X6	RILSAN HOSE 8X6
12	1	13-00-0025E/X	RACCORDO ERMETO G1/4-12x1.5 TUBO Ø6	FITTING ERMETO G1/4-12x1.5 TUBE Ø6
13	1	36-07-080	TUBO S.C. Ø16x23 L. 120 mm	HOSE S.C. Ø16x23 L. 120 mm
14	3	RAC1500-8/6-1/4	RACCORDO A 90° 1500 8/6 1/4	FITTING 90° 1500 8/6 1/4
15	1	SC1316-SS-EV0-G_17	SERBATOIO SCARICO CONDENZA MOD.SILENT TPS	CONDENSATE DISCHARGE TANK MOD.SILENT TPS
16	4	RON6Z	RONDELLA PIANA ZINC. M6	PLAIN WASHER ZINC. M6 DIN 125A
17	4	VITE0620I	VITE TCEI INOX 6X20	SCREW TCEI INOX 6X20
18	1	FASC3B/17/29	FASCETTA STRING. 3B D.17/29	CLAMP 3B D.17/29
19	1	13-07-0001	RACCORDO OGIVA TUBO Ø6-1/4 NPT	FITTING OGIVE TUBE Ø6-1/4 NPT

SCARICO CONDENSA - CONDENSATE DISCHARGE
Mod: SUPER SILENT TPS



TARGHETTE DI SICUREZZA - SAFETY INFO LABEL

RIF. POS.	Q.TÀ Q.TY	CODICE CODE	DESCRIZIONE	DESCRIPTION
KIT1	1	13-10-0003/R	KIT TARGHETTE DI SICUREZZA SMART-TECH-ERGO PETROL	KIT SAFETY INFO LABEL SMART-TECH-ERGO PETROL
1.1	1		ADESIVO X MCH13-16 SERIE COMPL	INSTRUCTIONS STICKER MCH-13-16
1.2a	1		ADESIVO PRESSIONE 232 BAR	PRESSURE STICKER 232 BAR
1.2b	1		ADESIVO PRESSIONE 300 BAR	PRESSURE STICKER 300 BAR
1.2c	1		ADESIVO PRESSIONE 330 BAR	PRESSURE STICKER 330 BAR
1.3	1		ADESIVO USO	USE STICKER
1.4	1		ADESIVO FORBIDDEN 82X42	FORBIDDEN STICKER 82X42
1.5	1		ADESIVO NORME SICUREZZA	SAFETY INFORMATION STICKER
KIT2	1	23-10-0003/R	KIT TARGHETTE DI SICUREZZA ERGO-ERGO TPS	KIT SAFETY INFO LABEL ERGO-ERGO TPS
1.1	1		ADESIVO X MCH13-16 SERIE COMPL	INSTRUCTIONS STICKER MCH-13-16
1.2a	1		ADESIVO PRESSIONE 232 BAR	PRESSURE STICKER 232 BAR
1.2b	1		ADESIVO PRESSIONE 300 BAR	PRESSURE STICKER 300 BAR
1.2c	1		ADESIVO PRESSIONE 330 BAR	PRESSURE STICKER 330 BAR
1.3	1		ADESIVO USO	USE STICKER
1.4	1		ADESIVO FORBIDDEN 82X42	FORBIDDEN STICKER 82X42
1.5	1		ADESIVO OIL LEVEL TRASPARENTE SCRITTA NERA	STICKER OIL LEVEL
1.6	1		ADESIVO PANNELLO DI COMANDO ERGO	ERGO CONTROL PANEL ADHESIVE
1.7	1		ADESIVO PANNELLO MANOMETRI ERGO	ERGO MANOMETER PANEL ADHESIVE
KIT3	1	13-10-0003/R	KIT TARGHETTE DI SICUREZZA COMPACT EVO	KIT SAFETY INFO LABEL COMPACT EVO
1.1	1		ADESIVO X MCH13-16 SERIE COMPL	INSTRUCTIONS STICKER MCH-13-16
1.2a	1		ADESIVO PRESSIONE 232 BAR	PRESSURE STICKER 232 BAR
1.2b	1		ADESIVO PRESSIONE 300 BAR	PRESSURE STICKER 300 BAR
1.2c	1		ADESIVO PRESSIONE 330 BAR	PRESSURE STICKER 330 BAR
1.3	1		ADESIVO USO	USE STICKER
1.4	1		ADESIVO FORBIDDEN 82X42	FORBIDDEN STICKER 82X42
1.5	1		ADESIVO OIL LEVEL TRASPARENTE SCRITTA NERA	STICKER OIL LEVEL
1.6	1		ADESIVO PANNELLO DI COMANDO COMPACT EVO	COMPACT EVO CONTROL PANEL ADHESIVE
1.7	1		ADESIVO PANNELLO MANOMETRI COMPACT EVO	COMPACT EVO MANOMETER PANEL ADHESIVE
KIT4	1	13-10-0003/R	KIT TARGHETTE DI SICUREZZA SUPER SILENT EVO-SUPER SILENT TPS	KIT SAFETY INFO LABEL SUPER SILENT EVO-SUPER SILENT TPS
1.1	1		ADESIVO X MCH13-16 SERIE COMPL	INSTRUCTIONS STICKER MCH-13-16
1.2a	1		ADESIVO PRESSIONE 232 BAR	PRESSURE STICKER 232 BAR
1.2b	1		ADESIVO PRESSIONE 300 BAR	PRESSURE STICKER 300 BAR
1.2c	1		ADESIVO PRESSIONE 330 BAR	PRESSURE STICKER 330 BAR
1.3	1		ADESIVO USO	USE STICKER
1.4	1		ADESIVO FORBIDDEN 82X42	FORBIDDEN STICKER 82X42
1.5	1		ADESIVO OIL LEVEL TRASPARENTE SCRITTA NERA	STICKER OIL LEVEL
1.6	1		ADESIVO PANNELLO DI COMANDO SUPER SILENT EVO	SUPER SILENT EVO CONTROL PANEL ADHESIVE
1.7	1		ADESIVO PANNELLO MANOMETRI SUPER SILENT EVO	SUPER SILENT EVO MANOMETER PANEL ADHESIVE
KIT5	1	13-10-0003/R	KIT TARGHETTE DI SICUREZZA MARK3	KIT SAFETY INFO LABEL MARK3
1.1	1		ADESIVO X MCH13-16 SERIE COMPL	INSTRUCTIONS STICKER MCH-13-16
1.2a	1		ADESIVO PRESSIONE 232 BAR	PRESSURE STICKER 232 BAR
1.2b	1		ADESIVO PRESSIONE 300 BAR	PRESSURE STICKER 300 BAR
1.2c	1		ADESIVO PRESSIONE 330 BAR	PRESSURE STICKER 330 BAR
1.3	1		ADESIVO USO	USE STICKER
1.4	1		ADESIVO FORBIDDEN 82X42	FORBIDDEN STICKER 82X42
1.5	1		ADESIVO OIL LEVEL TRASPARENTE SCRITTA NERA	STICKER OIL LEVEL
1.6	1		ADESIVO PANNELLO DI COMANDO MARK3	MARK3 CONTROL PANEL ADHESIVE
1.7	1		ADESIVO PANNELLO MANOMETRI MARK3	MARK3 MANOMETER PANEL ADHESIVE

TARGHETTE DI SICUREZZA - SAFETY INFO LABEL

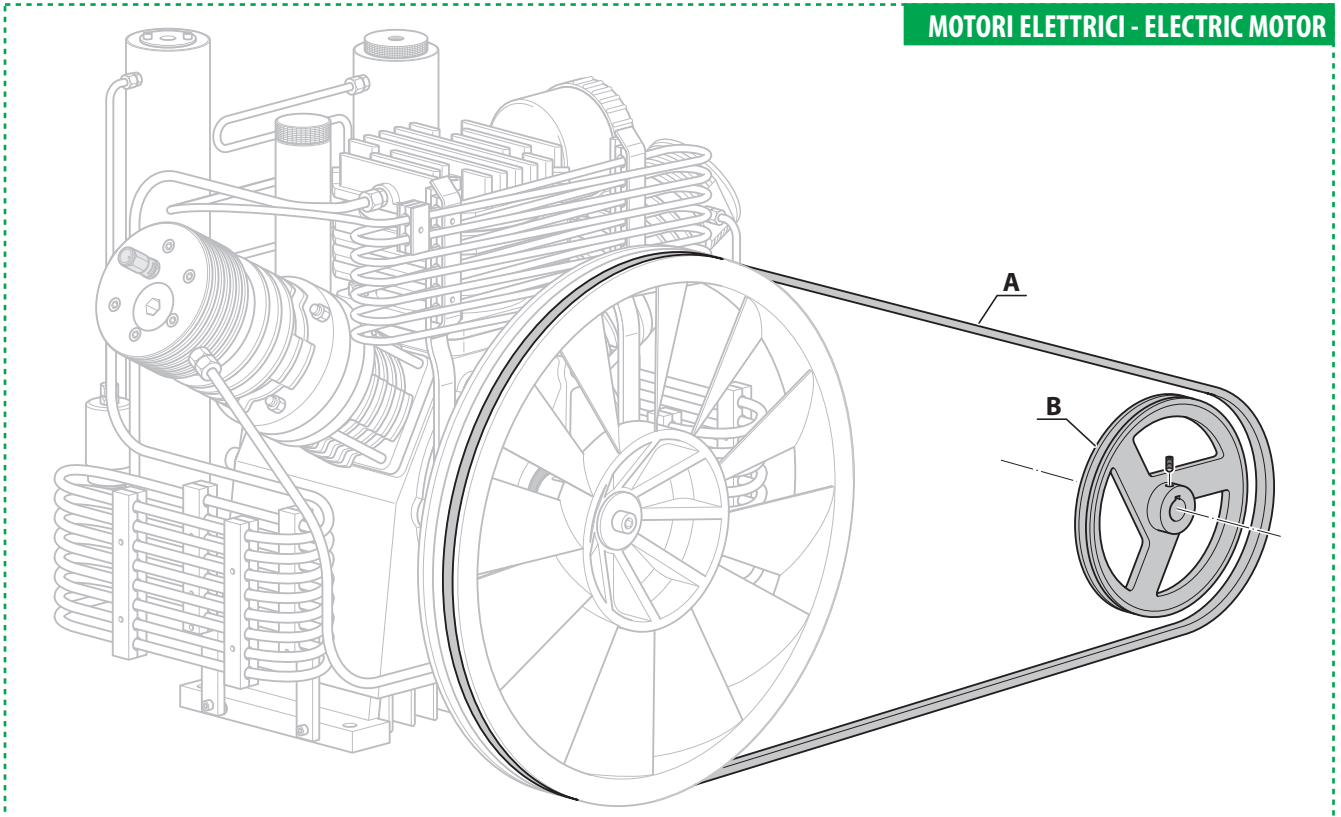
Model	Series	Label 1.1 (Safety & Maintenance)	Label 1.2a (Pressure)	Label 1.2b (Pressure)	Label 1.2c (Pressure)	Label 1.3 (Warning)	Label 1.4 (No Open)	Label 1.5 (Oil Level)	Label 1.6 (Electrical Panel)	Label 1.7 (Electrical Panel)	
KIT1 - 13-10-0003/R	SMART - TECH - ERGO PETROL	<p>ATTENZIONE SEPARATORE DI CONDENSA SCARICARE OGNI 10-15 MINUTI WARNING CONDENSATE SEPARATOR EMPTY EVERY 10-15 MINUTES</p> <p>SCARICO CONDENSA CONDENSATE DISCHARGE</p> <p>SCARICO OLIO OIL DRAIN</p> <p>ATTENZIONE CONTROLLARE IL LIVELLO DELL'OLIO OGNI 50 ORE E SOSTITUIRLO OGNI 250 ORE DI LAVORO WARNING CHECK OIL LEVEL EVERY 50 HOURS AND CHANGE OIL EVERY 250 WORKING HOURS</p> <p>ATTENZIONE CONTROLLARE IL LIVELLO DELL'OLIO OGNI 50 ORE E SOSTITUIRLO OGNI 250 ORE DI LAVORO WARNING CHECK OIL LEVEL EVERY 50 HOURS AND CHANGE OIL EVERY 250 WORKING HOURS</p> <p>FILTRO CON CARTUCCIA DA SOSTITUIRE AD INTERVALLI REGOLARI - VEDI MANUALE FILTER WITH CARTRIDGE TO BE REPLACED AT REGULAR INTERVALS - SEE MANUAL</p> <p>USARE OLIO SPECIALE PER COMPRESSORI AD ALTA PRESSIONE USE SPECIAL OIL FOR HIGH PRESSURE COMPRESSORS</p> <p>230 Volt</p>	232 BAR 3300 PSI	300 BAR 4300 PSI	330 BAR 4700 PSI	<p>USARE OLIO SPECIALE PER COMPRESSORI AD ALTA PRESSIONE USE SPECIAL OIL FOR HIGH PRESSURE COMPRESSORS</p>	<p>VIETATO APRIRE FORBIDDEN TO OPEN NON AUTORIZZATI TO UNAUTHORIZED</p> <p>Togliere la tensione prima di rimuovere la protezione The opening of the panel is allowed to the electricians only</p>	<p>OIL LEVEL MAX MIN</p>			
KIT2 - 23-10-0003/R	ERGO - ERGO TIPS	<p>ATTENZIONE SEPARATORE DI CONDENSA SCARICARE OGNI 10-15 MINUTI WARNING CONDENSATE SEPARATOR EMPTY EVERY 10-15 MINUTES</p> <p>SCARICO CONDENSA CONDENSATE DISCHARGE</p> <p>SCARICO OLIO OIL DRAIN</p> <p>ATTENZIONE CONTROLLARE IL LIVELLO DELL'OLIO OGNI 50 ORE E SOSTITUIRLO OGNI 250 ORE DI LAVORO WARNING CHECK OIL LEVEL EVERY 50 HOURS AND CHANGE OIL EVERY 250 WORKING HOURS</p> <p>ATTENZIONE CONTROLLARE IL LIVELLO DELL'OLIO OGNI 50 ORE E SOSTITUIRLO OGNI 250 ORE DI LAVORO WARNING CHECK OIL LEVEL EVERY 50 HOURS AND CHANGE OIL EVERY 250 WORKING HOURS</p> <p>FILTRO CON CARTUCCIA DA SOSTITUIRE AD INTERVALLI REGOLARI - VEDI MANUALE FILTER WITH CARTRIDGE TO BE REPLACED AT REGULAR INTERVALS - SEE MANUAL</p> <p>USARE OLIO SPECIALE PER COMPRESSORI AD ALTA PRESSIONE USE SPECIAL OIL FOR HIGH PRESSURE COMPRESSORS</p> <p>230 Volt</p>	232 BAR 3300 PSI	300 BAR 4300 PSI	330 BAR 4700 PSI	<p>USARE OLIO SPECIALE PER COMPRESSORI AD ALTA PRESSIONE USE SPECIAL OIL FOR HIGH PRESSURE COMPRESSORS</p>	<p>VIETATO APRIRE FORBIDDEN TO OPEN NON AUTORIZZATI TO UNAUTHORIZED</p> <p>Togliere la tensione prima di rimuovere la protezione The opening of the panel is allowed to the electricians only</p>	<p>OIL LEVEL MAX MIN</p>			
KIT3 - 13-10-0003/R	COMPACT EVO	<p>ATTENZIONE SEPARATORE DI CONDENSA SCARICARE OGNI 10-15 MINUTI WARNING CONDENSATE SEPARATOR EMPTY EVERY 10-15 MINUTES</p> <p>SCARICO CONDENSA CONDENSATE DISCHARGE</p> <p>SCARICO OLIO OIL DRAIN</p> <p>ATTENZIONE CONTROLLARE IL LIVELLO DELL'OLIO OGNI 50 ORE E SOSTITUIRLO OGNI 250 ORE DI LAVORO WARNING CHECK OIL LEVEL EVERY 50 HOURS AND CHANGE OIL EVERY 250 WORKING HOURS</p> <p>ATTENZIONE CONTROLLARE IL LIVELLO DELL'OLIO OGNI 50 ORE E SOSTITUIRLO OGNI 250 ORE DI LAVORO WARNING CHECK OIL LEVEL EVERY 50 HOURS AND CHANGE OIL EVERY 250 WORKING HOURS</p> <p>FILTRO CON CARTUCCIA DA SOSTITUIRE AD INTERVALLI REGOLARI - VEDI MANUALE FILTER WITH CARTRIDGE TO BE REPLACED AT REGULAR INTERVALS - SEE MANUAL</p> <p>USARE OLIO SPECIALE PER COMPRESSORI AD ALTA PRESSIONE USE SPECIAL OIL FOR HIGH PRESSURE COMPRESSORS</p> <p>230 Volt</p>	232 BAR 3300 PSI	300 BAR 4300 PSI	330 BAR 4700 PSI	<p>USARE OLIO SPECIALE PER COMPRESSORI AD ALTA PRESSIONE USE SPECIAL OIL FOR HIGH PRESSURE COMPRESSORS</p>	<p>VIETATO APRIRE FORBIDDEN TO OPEN NON AUTORIZZATI TO UNAUTHORIZED</p> <p>Togliere la tensione prima di rimuovere la protezione The opening of the panel is allowed to the electricians only</p>	<p>OIL LEVEL MAX MIN</p>			
KIT4 - 13-10-0003/R	SUPER SILENT EVO SUPER SILENT TIPS	<p>ATTENZIONE SEPARATORE DI CONDENSA SCARICARE OGNI 10-15 MINUTI WARNING CONDENSATE SEPARATOR EMPTY EVERY 10-15 MINUTES</p> <p>SCARICO CONDENSA CONDENSATE DISCHARGE</p> <p>SCARICO OLIO OIL DRAIN</p> <p>ATTENZIONE CONTROLLARE IL LIVELLO DELL'OLIO OGNI 50 ORE E SOSTITUIRLO OGNI 250 ORE DI LAVORO WARNING CHECK OIL LEVEL EVERY 50 HOURS AND CHANGE OIL EVERY 250 WORKING HOURS</p> <p>ATTENZIONE CONTROLLARE IL LIVELLO DELL'OLIO OGNI 50 ORE E SOSTITUIRLO OGNI 250 ORE DI LAVORO WARNING CHECK OIL LEVEL EVERY 50 HOURS AND CHANGE OIL EVERY 250 WORKING HOURS</p> <p>FILTRO CON CARTUCCIA DA SOSTITUIRE AD INTERVALLI REGOLARI - VEDI MANUALE FILTER WITH CARTRIDGE TO BE REPLACED AT REGULAR INTERVALS - SEE MANUAL</p> <p>USARE OLIO SPECIALE PER COMPRESSORI AD ALTA PRESSIONE USE SPECIAL OIL FOR HIGH PRESSURE COMPRESSORS</p> <p>230 Volt</p>	232 BAR 3300 PSI	300 BAR 4300 PSI	330 BAR 4700 PSI	<p>USARE OLIO SPECIALE PER COMPRESSORI AD ALTA PRESSIONE USE SPECIAL OIL FOR HIGH PRESSURE COMPRESSORS</p>	<p>VIETATO APRIRE FORBIDDEN TO OPEN NON AUTORIZZATI TO UNAUTHORIZED</p> <p>Togliere la tensione prima di rimuovere la protezione The opening of the panel is allowed to the electricians only</p>	<p>OIL LEVEL MAX MIN</p>			
KIT25 - 13-10-0003/R	MARK3	<p>ATTENZIONE SEPARATORE DI CONDENSA SCARICARE OGNI 10-15 MINUTI WARNING CONDENSATE SEPARATOR EMPTY EVERY 10-15 MINUTES</p> <p>SCARICO CONDENSA CONDENSATE DISCHARGE</p> <p>SCARICO OLIO OIL DRAIN</p> <p>ATTENZIONE CONTROLLARE IL LIVELLO DELL'OLIO OGNI 50 ORE E SOSTITUIRLO OGNI 250 ORE DI LAVORO WARNING CHECK OIL LEVEL EVERY 50 HOURS AND CHANGE OIL EVERY 250 WORKING HOURS</p> <p>ATTENZIONE CONTROLLARE IL LIVELLO DELL'OLIO OGNI 50 ORE E SOSTITUIRLO OGNI 250 ORE DI LAVORO WARNING CHECK OIL LEVEL EVERY 50 HOURS AND CHANGE OIL EVERY 250 WORKING HOURS</p> <p>FILTRO CON CARTUCCIA DA SOSTITUIRE AD INTERVALLI REGOLARI - VEDI MANUALE FILTER WITH CARTRIDGE TO BE REPLACED AT REGULAR INTERVALS - SEE MANUAL</p> <p>USARE OLIO SPECIALE PER COMPRESSORI AD ALTA PRESSIONE USE SPECIAL OIL FOR HIGH PRESSURE COMPRESSORS</p> <p>230 Volt</p>	232 BAR 3300 PSI	300 BAR 4300 PSI	330 BAR 4700 PSI	<p>USARE OLIO SPECIALE PER COMPRESSORI AD ALTA PRESSIONE USE SPECIAL OIL FOR HIGH PRESSURE COMPRESSORS</p>	<p>VIETATO APRIRE FORBIDDEN TO OPEN NON AUTORIZZATI TO UNAUTHORIZED</p> <p>Togliere la tensione prima di rimuovere la protezione The opening of the panel is allowed to the electricians only</p>	<p>OIL LEVEL MAX MIN</p>			

PULEGGIA MOTORE/CINGHIA DI TRASMISSIONE
ENGINE PULLEY/TRANSMISSION BELT

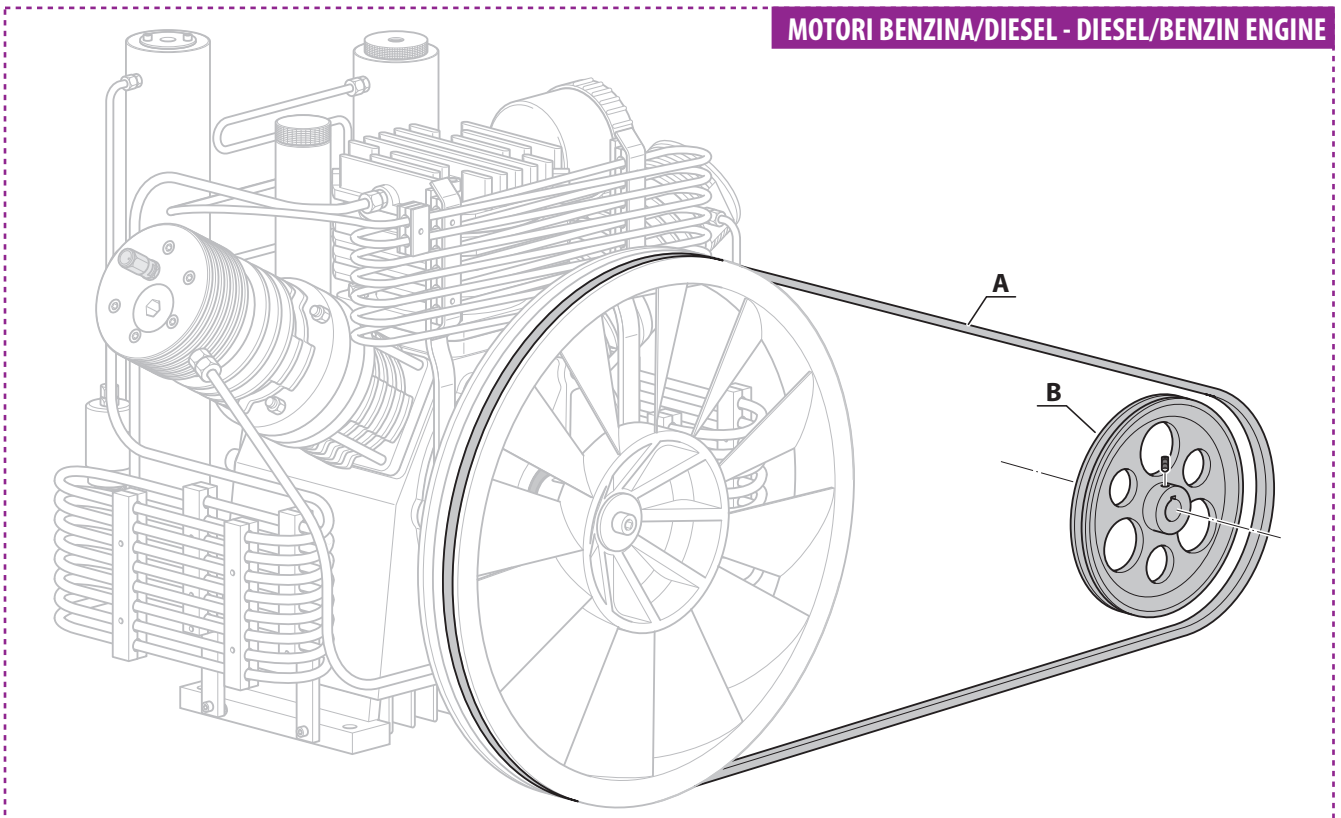
Compressore -Compressor		MOTORE - POWERED BY			Cinghia Belt [A]	Puleggia Pulley [B]	
Modello Model	Tipo Type	Potenza Power [kW]	Tensione Voltage [V]	Frequenza Frequency [Hz]			
SMART	MCH-8	Monofase-Single Phase	3	230	50	CINGA69	13-00-0023
					60		PUL/190/A
	MCH-11	Monofase-Single Phase	4	230	50	CINGA70	SC000406
					60	CINGA69	SC000407
	MCH-13	Trifase-Three Phase	4	230/400	50	CINGA70	SC000406
230/440				60	CINGA69	SC000407	
MCH-16	Trifase-Three Phase	5,5	230/400	50	CINGA73	SC000407	
			230/440	60	CINGA71	PUL/190/A	
COMPACT EVO	MCH-13	Trifase-Three Phase	4	230/400	50	CINGA71	SC000406
				230/440	60	CINGA69	SC000407
	MCH-16	Trifase-Three Phase	5,5	230/400	50	CINGA73	13-00-0024
				230/440	60	CINGA71	PUL/190/A
MCH-18	Trifase-Three Phase	7,5	230/400	50	CINGA74	PUL/260	
			230/400	60	CINGA72	SC000406	
SUPER SILENT EVO	MCH-13	Trifase-Three Phase	4	230/400	50	CINGA72	SC000406
				230/440	60	CINGA70	SC000407
	MCH-16	Trifase-Three Phase	5,5	230/400	50	CINGA73	13-00-0024
				230/440	60	CINGA71	PUL/190/A
MCH-18	Trifase-Three Phase	7,5	230/400	50	CINGA75	PUL/260	
			230/400	60	CINGA73	SC000406	
ERGO	MCH-16	Monofase-Single Phase	5,5	230	50		
					60		
	MCH-13	Trifase-Three Phase	4	230/400	50	CINGA73	SC000406
				230/440	60	CINGA72	SC000407
	MCH-16	Trifase-Three Phase	5,5	230/400	50	CINGA75	13-00-0024
230/440				60	CINGA71	PUL/190/A	
MCH-16	Honda GX270 Petrol	7	-	-	CINGA78	PUL/190/A1	
MCH-16	Kholer/Lombardini KD15-440 Diesel	7,5	-	-			
ERGO TPS	MCH-13	Trifase-Three Phase	4	230/400	50	CINGA73	SC000406
				230/440	60	CINGA72	SC000407
	MCH-16	Trifase-Three Phase	5,5	230/400	50	CINGA75	13-00-0024
				230/440	60	CINGA71	PUL/190/A
	MCH-21	Trifase-Three Phase	7,5	230/400	50		
				230/400	60		
				440/480	60		
MCH-23	Trifase-Three Phase	7,5	230/400	50			
			440/480	60			
	Honda GX390 Petrol	9	-	-			
	Kholer/Lombardini KD15-440 Diesel	7,5	-	-			
MARK3	MCH-13	Trifase-Three Phase	4	230/400	50	CINGA74	SC000406
				230/440	60	CINGA72	SC000407
	MCH-16	Trifase-Three Phase	5,5	230/400	50	CINGA75	13-00-0024
				230/440	60	CINGA73	PUL/190/A
	MCH-21	Trifase-Three Phase	7,5	230/400	50		
				440/480	60		
MCH-23	Trifase-Three Phase	7,5	230/400	50			
			440/480	60			
SUPER SILENT TPS	MCH-13	Trifase-Three Phase	4	230/400	50	CINGA73	SC000406
				230/440	60	CINGA72	SC000407
	MCH-16	Trifase-Three Phase	5,5	230/400	50	CINGA75	13-00-0024
				230/440	60	CINGA71	PUL/190/A
	MCH-21	Trifase-Three Phase	7,5	230/400	50		
				230/400	60		
				440/480	60		
MCH-23	Trifase-Three Phase	7,5	230/400	50			
			440/480	60			

**PULEGGIA MOTORE/CINGHIA DI TRASMISSIONE
ENGINE PULLEY/TRANSMISSION BELT**

MOTORI ELETTRICI - ELECTRIC MOTOR



MOTORI BENZINA/DIESEL - DIESEL/BENZIN ENGINE



COMPONENTI ELETTRICI - ELECTRICAL COMPONENTS

QUADRO DI COMANDO REMOTO - AUTOMATIC SWITCHBOARD

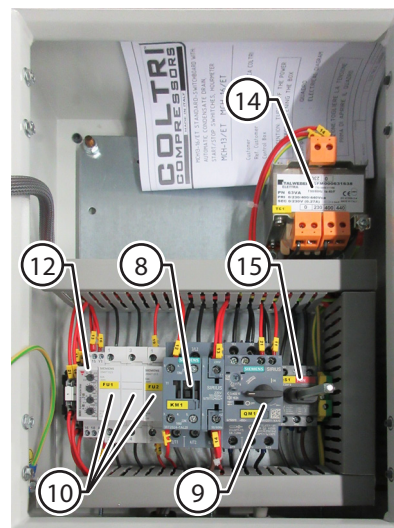
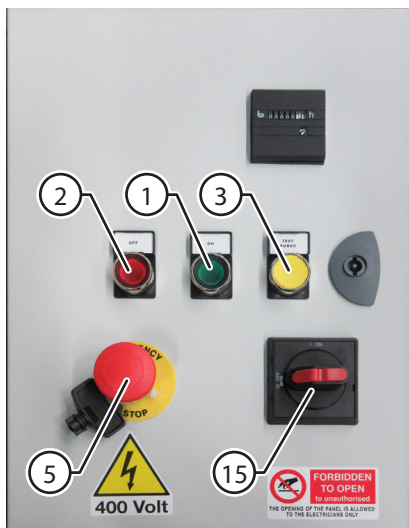
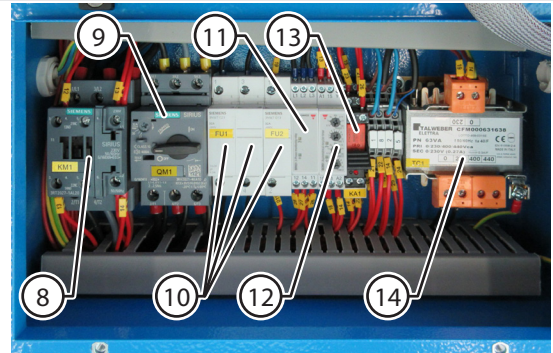
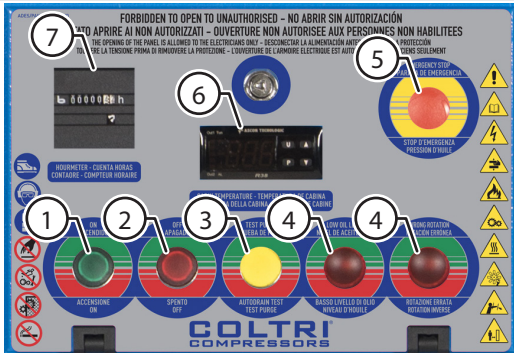
RIF. POS.	Q.TÀ Q.TY	CODICE CODE	DESCRIZIONE	DESCRIPTION
1	1	13-04-0201	PULSANTE VERDE COMPLETO	COMPLETE GREEN PUSH-BUTTON
2	1	13-04-0200	PULSANTE ROSSO COMPLETO	COMPLETE RED PUSH-BUTTON
3	1	13-04-0202	PULSANTE GIALLO COMPLETO	COMPLETE YELLOW PUSH-BUTTON
4	1	SIE3SB34001RB	LUCE ROSSA COMPLETA	COMPLETE RED LIGHT
5	1	PULS/ROSSO/FUNG	PULSANTE DI EMERGENZA COMPLETO	COMPLETE EMERGENCY PUSH-BUTTON
6	1	R38HTRR	TERMOSTATO CABINA	CABIN THERMOSTAT
7	1	63223050	CONTAORE	HOUR METER
8a	1	3RT20261AL20	CONTATTORE LINEA (MCH-8-11)	LINEAR CONTACTOR (MCH-8-11)
8b	1	3RT20251AL20	CONTATTORE LINEA (MCH-13-16-18)	LINEAR CONTACTOR (MCH-13-16-18)
9a	1	3RV20214DA10	INTERRUTTORE PROTEZIONE MOTORE (MCH-8-11)	ENGINE PROTECTION SWITCH (MCH-8-11)
9b	1	3RV20111KA10	INTERRUTTORE PROTEZIONE MOTORE (MCH-13-16)	ENGINE PROTECTION SWITCH (MCH-13-16)
9c	1	3RV20111AA10	INTERRUTTORE PROTEZIONE MOTORE (MCH-18)	ENGINE PROTECTION SWITCH (MCH-18)
10	1	55180020001	FUSIBILE RAPIDO DA 1A CONFEZIONE DA 10PZ	QUICK FUSE 1A PACKAGE FROM 10PZ
11	1	DPA51CM44	SEQUENZA FASI (SOLO VERSIONE EVO)	PHASES SEQUENCE (ONLY EVO VERSION)
12	1	DCB51CM24	TEMPORIZZATORE PAUSA LAVORO	TIMER PAUSE WORK
13	1	20-00-0006	RELÈ AUSILIARIO COMPLETO (SOLO VERSIONE EVO)	COMPLETE AUXILIARY RELAY (ONLY EVO VERSION)
14	1	CFM000631638	TRASFORMATORE 63VA	TRANSFORMER 63VA
15	1	20-00-0007	INTERRUTTORE ON-OFF+ASTA+MANOVRA	ON-OFF SWITCH + SHAFT + HANDLE

ATTACCHI PER RICARICA BOMBOLE - REFILL CONNECTORS

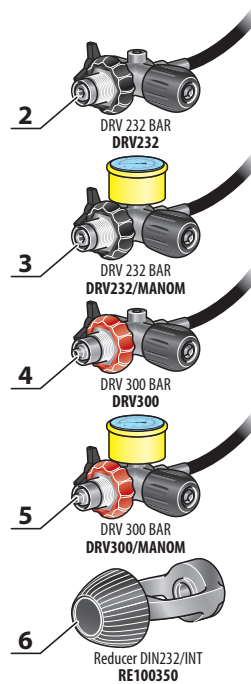
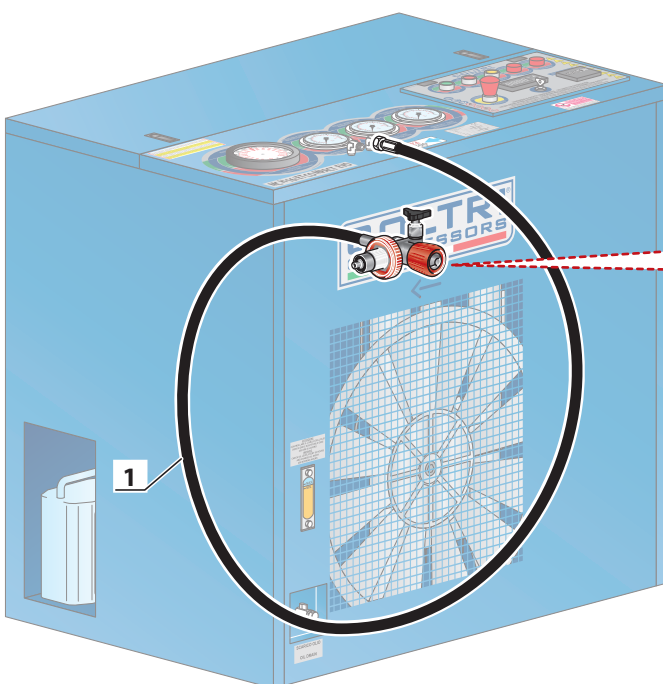
OLIO DI LUBRIFICAZIONE E GRASSO - LUBRICATION OIL AND GREASE

RIF. POS.	Q.TÀ Q.TY	CODICE CODE	DESCRIZIONE	DESCRIPTION
1	1	13-04-0238/AIR/420	FRUSTA DI RICARICA DA 1200MM	REFILL HOSE 1200 MM
2	1	DRV232	RUBINETTO DRV 232 BAR	VALVE DRV 232 BAR
3	1	DRV232/MANOM	RUBINETTO DRV 232 BAR CON MANOMETRO	VALVE DRV 232 BAR WITH MANOMETER
4	1	DRV300	RUBINETTO DRV 300 BAR	VALVE DRV 300 BAR
5	1	DRV300/MANOM	RUBINETTO DRV 300 BAR CON MANOMETRO	VALVE DRV 300 BAR WITH MANOMETER
6	1	RE100350	RIDUTTORE DIN232/INT	CONNECTOR DIN232/INT
7	1	SC000431	OLIO PER MOTORE COLTRI SUPER MULTIGRADE 10W-30	COLTRI SUPER MULTIGRADE MOTOR OIL 10W-30
8	1	SC000871	OLIO SINTETICO COLTRI OIL ST 755 1L	SYNTHETIC COLTRI OIL ST 755 1L
9	1	GRASSO/ALUGREASE/T	GRASSO SINTETICO ATOSSICO PER TAPPI FILTRO HP	NO-TOXIC SYNTHETIC GREASE FOR CAPS FILTER HP

COMPONENTI ELETTRICI - ELECTRICAL COMPONENTS QUADRO DI COMANDO REMOTO - AUTOMATIC SWITCHBOARD



ATTACCHI PER RICARICA BOMBOLE - REFILL CONNECTORS OLIO DI LUBRIFICAZIONE E GRASSO - LUBRICATION OIL AND GREASE





AEROTECNICA COLTRI Spa
Via Colli Storici, 177
25015 DESENZANO DEL GARDA (BS) ITALY
Tel. +39 030 9910301 - Fax. +39 030 9910283
www.coltri.com

LP-MCH1316-0820