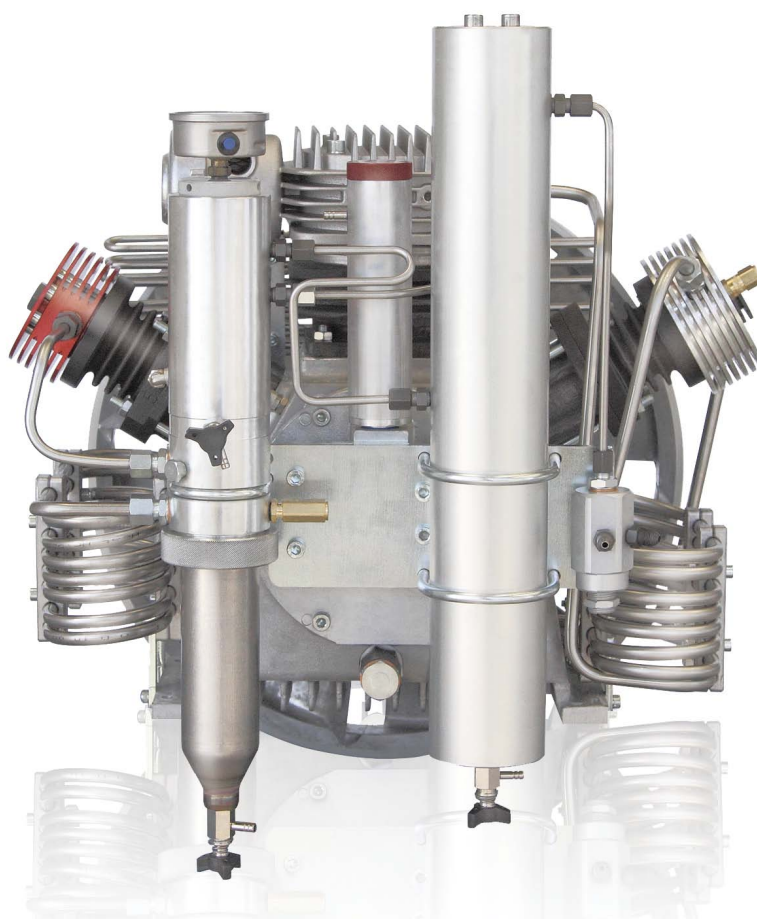


Italiano 
English 



HIGH PRESSURE COMPRESSORS FOR PURE BREATHING AIR AND TECHNICAL GASES
COMPRESSORE AD ALTA PRESSIONE PER ARIA RESPIRABILE E GAS TECNICI



**CATALOGO RICAMBI
SPARE PARTS LIST**

MCH-8-11-13-16

Indice	Index	Pag.
Flange/Ventola	Flange/Cooling fan	4
Livello olio (Standard-Tech-Minitech)	Oil level (Standard-Tech-Minitech)	6
Livello olio (Compact-MiniSilentEvo-SuperSilentEvo-26-32 Compact)	Oil level (Compact-MiniSilentEvo-SuperSilentEvo-26-32 Compact)	8
Livello olio Mark2 - Super Silent Evo Tropical Plus	Oil level Mark2 - Super Silent Evo Tropical Plus	10
1° Stadio MCH-8	1 st Stage MCH-8	12
1° Stadio MCH-11-13	1 st Stage MCH-11-13	14
1° Stadio MCH-16-18	1 st Stage MCH-16-18	16
2° Stadio MCH-8-11-13	2 nd Stage MCH-8-11-13	18
2° Stadio MCH-16-18	2 nd Stage MCH-16-18	20
3° Stadio G3 (per modelli dal 03-2014)	3 rd Stage G3 (for models by 03-2014)	22
3° Stadio G2 (per modelli fino al 03-2014)	3 rd Stage G2 (for models up to 03-2014)	24
Circuito di Pressione	Pressure Circuit	26
Circuito di pressione (Tropical - Tropical Plus)	Pressure circuit (Tropical - Tropical Plus)	28
Kit guarnizioni gruppo pompante	Kit gaskets pumping group	30
Staffe di fissaggio	Brackets fixing	32
Separatore di condensa	Condensate separator	34
Maxifiltro depuratore	Maxifiltro purifier	36
Hyperfilter depuratore	Hyperfilter purifier	38
Hyperfilter depuratore con presec	Hyperfilter purifier with presec	40
Valvola di sicurezza	Safety valve	42
Valvola mantenimento pressione	Pressure maintenance valve	42
Circuito di filtrazione (Standard - MiniTech)	Filtering circuit (Standard - MiniTech)	44
Circuito di filtrazione (Tech)	Filtering circuit (Tech)	46
Circuito di filtrazione (Compact)	Filtering circuit (Compact)	48
Circuito di filtrazione (Compact Evo)	Filtering circuit (Compact Evo)	50
Circuito di filtrazione (Mini Silent)	Filtering circuit (Mini Silent)	52
Circuito di filtrazione (Mini Silent Evo)	Filtering circuit (Mini Silent Evo)	54
Circuito di filtrazione (Super Silent Evo)	Filtering circuit (Super Silent Evo)	56
Circuito di filtrazione (MCH-26-32/ET Compact)	Filtering circuit (MCH-26-32/ET Compact)	58
Circuito di filtrazione (Super Silent Evo Tropical Plus)	Filtering circuit (Super Silent Evo Tropical Plus)	60
Circuito di filtrazione (Mark2)	Filtering circuit (Mark2)	62
Scarico condensa (Standard - Tech - MiniTech)	Condensate discharge (Standard - Tech - MiniTech)	64
Scarico condensa (Compact - Compact Evo)	Condensate discharge (Compact - Compact Evo)	66
Scarico condensa (Mini Silent - Mini Silent Evo)	Condensate discharge (Mini Silent - Mini Silent Evo)	68
Scarico condensa (Super Silent Evo)	Condensate discharge (Super Silent Evo)	70
Scarico condensa (MCH-26-32/ET Compact)	Condensate discharge (MCH-26-32/ET Compact)	72
Scarico condensa (Super Silent Evo Tropical Plus)	Condensate discharge (Super Silent Evo Tropical Plus)	74
Scarico condensa (Mark2)	Condensate discharge (Mark2)	76
Telaio (Standard EM-ET)	Frame (Standard EM-ET)	78
Telaio (Tech)	Frame (Tech)	80
Telaio (MiniTech SH-DL-DY)	Frame (MiniTech SH-DL-DY)	82
Telaio (Compact-Compact Evo)	Frame (Compact-Compact Evo)	84
Telaio (26-32 Compact)	Frame (26-32 Compact)	86
Telaio (Super Silent Evo-Super Silent Evo Tropical Plus)	Frame (Super Silent Evo-Super Silent Evo Tropical Plus)	88
Telaio (Mini Silent-Mini Silent Evo)	Frame (Mini Silent-Mini Silent Evo)	90
Telaio (Mark2)	Frame (Mark2)	92
Targhette di sicurezza	Safety info label	94
Puleggia motore/Cinghia di trasmissione	Engine pulley/Transmission belt	96
Componenti elettrici - Quadro di comando remoto	Electrical components - Automatic switchboard	98
Attacchi per ricarica bombole - Olio di lubrificazione e grasso	Bottle refill connectors - Lubrication oil and grease	

Distinta List	Modello Model	Codice Code
GRUPPO POMPANTE PUMPING GROUP	MCH-8 STANDARD	SC000149
	MCH-8 COMPACT	SC000188
	MCH-11 STANDARD	SC000168
	MCH-11 COMPACT	SC0000120
	MCH-13 STANDARD CON FILTRI	SC000168
	MCH-13 STANDARD CON FILTRI SPECIALE	SC000168/S
	MCH-13 COMPACT	SC0000120
	MCH-13 COMPACT EVO	SC0000121
	MCH-13 MINISILENT	SC0000124
	MCH-13 SUPER SILENT EVO	SC0000123
	MCH-13 COMPACT DOPPIO	SC0000122
	MCH-13 TROPICAL	SC000050
	MCH-13 TROPICAL PLUS	SC000060
	MCH-16 STANDARD CON FILTRI	SC000221
	MCH-16 STANDARD CON FILTRI SPECIALE	SC000221/S
	MCH-16 COMPACT	SC0000125
	MCH-16 COMPACT EVO	SC0000126
	MCH-16 MINISILENT	SC0000129
	MCH-16 SUPER SILENT EVO	SC0000128
	MCH-16 COMPACT DOPPIO	SC0000127
	MCH-16 TROPICAL	SC000055
	MCH-16 TROPICAL PLUS	SC000065
	MCH-18 STANDARD	SC000221
MCH-18 TROPICAL	SC000055	
MCH-18 TROPICAL PLUS	SC000065	



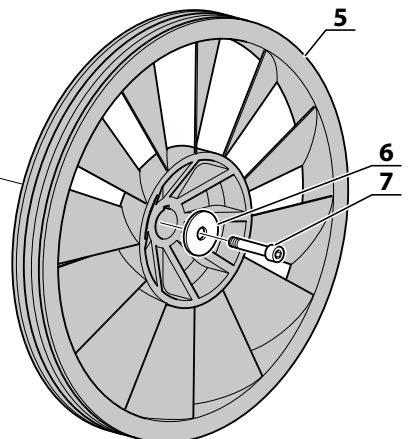
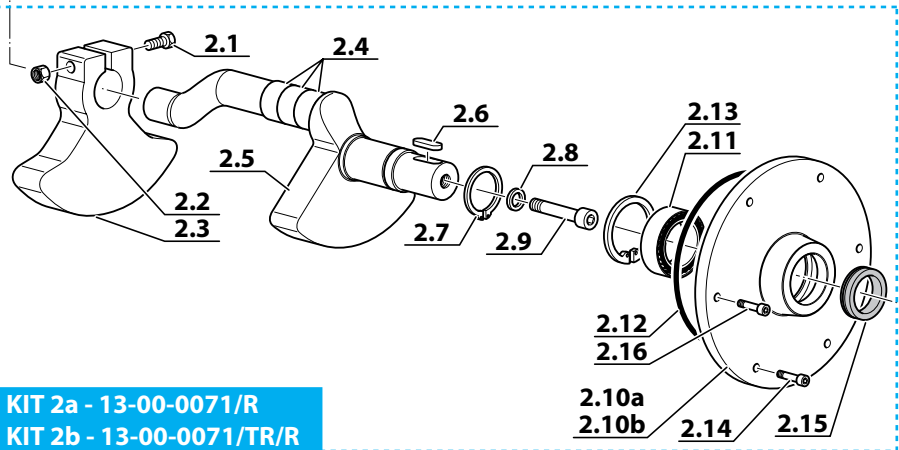
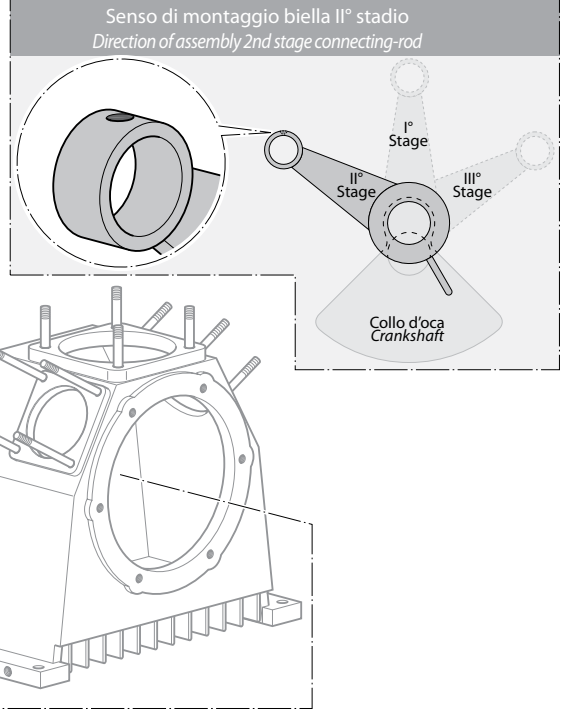
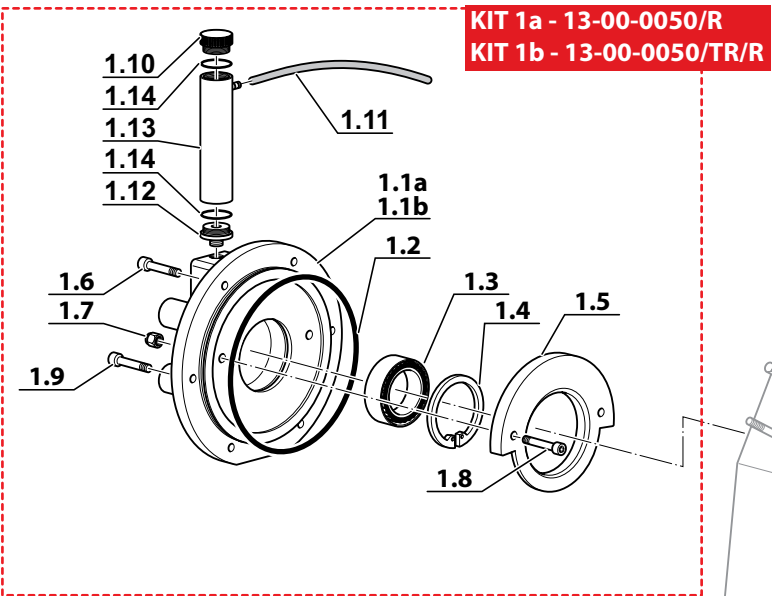
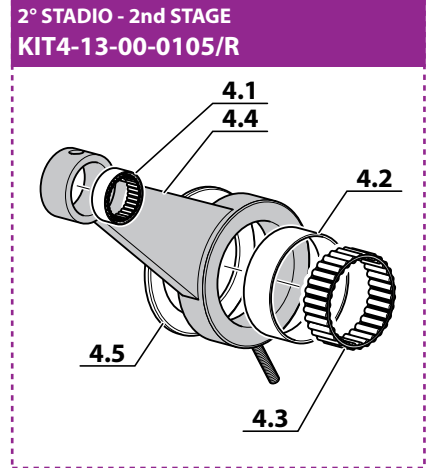
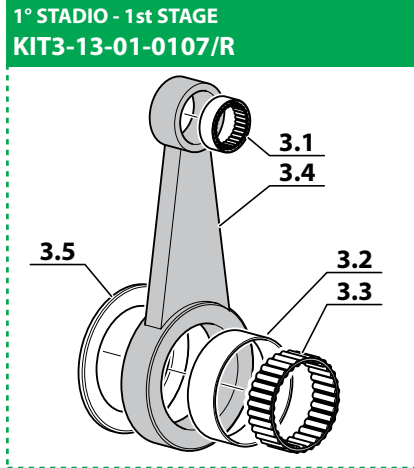
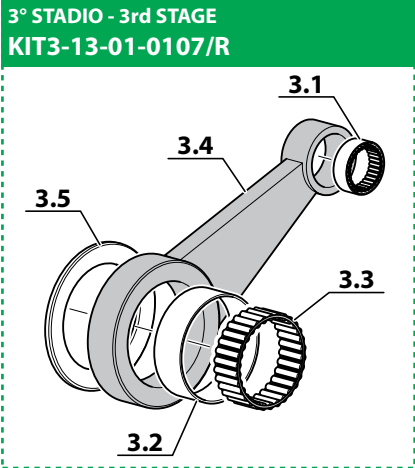
I prezzi indicati nel presente listino sono IVA ESCLUSA.
 La resa della merce È FRANCO nostra fabbrica - trasporto escluso.
All prices herewith listed are vat excluded.
Delivery terms : ex work our company.

I dati riportati nel presente catalogo non sono impegnativi. AEROTECNICA COLTRI SpA si riserva di modificare i dati in qualsiasi momento.
 AEROTECNICA COLTRI SpA reserves the right of amending the data contained in this catalogue at any time.

FLANGE/VENTOLA - FLANGE/COOLING FAN

Rif. Pos.	Q.tà Q.ty	Codice Code	Descrizione	Description
KIT1a	1	13-00-0050/R	KIT FLANGIA LATO FILTRI MCH13/16	FILTER SIDE FLANGE MCH13/16 KIT
KIT1b	1	13-00-0050/TR/R	KIT FLANGIA LATO FILTRI MCH13/16 PER TROPICAL	FILTER SIDE FLANGE MCH13/16 FOR TROPICAL KIT
1.1a	1		FLANGIA LATO FILTRI MCH13/16	FILTER SIDE FLANGE MCH13/16
1.1b	1		FLANGIA LATO FILTRI MCH13/16 PER TROPICAL	FILTER SIDE FLANGE MCH13/16 FOR TROPICAL
1.2	1		O-RING 2562 NBR 90SH FLANGIA	FLANGE O-RING 2562
1.3	1		CUSCINETTO RULLI FLANGIA NU305	FLANGE ROLLER BEARING NU305
1.4	1		ANELLO ELASTICO SEEGER J 62 DIN 472	SEEGER RETAINING RING J 62
1.5	1		FLANGIA MEZZALUNA DIAM. 140X80 SP. 10/10	HALF MOON FLANGE 140X80 SP. 10/10 MCH13/16
1.6	6		VITE 8X25 T.C.E. ZINC. DIN 912	SCREW 8X25 T.C.E. ZINC. DIN 912
1.7	2		DADO ZINCATO AUTOBLOC. M6 ALTO	SELF LOCKING NUT M6 HIGH
1.8	2		VITE 6X35 T.C.E. ZINC. DIN 912	SCREW 6X35 T.C.E. ZINC. DIN 912
1.9	2		VITE T.C.E. ZINCATA 8X30	SCREW T.C.E. ZINCATA 8X30
1.10	1		TAPPO 1/2 (ROSSO) CARICO OLIO MCH13/16	OIL FILLING CAP 1/2 (RED) MCH13/16
1.11	0,3		TUBO RILSAN 6X4	RILSAN HOSE 6X4
1.12	1		RACCORDO INFERIORE TUBO CARICO OLIO	LOWER OIL CHARGE TUBE FITTING MCH13/16
1.13	1		TUBO CARICO OLIO MCH13-16	OIL FILLING TUBE MCH13/16
1.14	2		O-RING 3137 NBR 90SH (34.60X2.62)	O-RING 3137 NBR 90SH (34.60X2.62)
KIT2a	1	13-00-0071/R	KIT FLANGIA LATO VENTOLA+COLLO D'OCA MCH 13/16	FAN SIDE FLANGE+CRANKSHAFT MCH13-16 KIT
KIT2b	1	13-00-0071/TR/R	KIT FLANGIA LATO VENTOLA+COLLO D'OCA MCH 13/16 X TROPICAL PLUS	FAN SIDE FLANGE+CRANKSHAFT MCH13-16 TROPICAL PLUS KIT
2.1	1		VITE T.C.E. ZINCATA 8X65	8X65 TCE SCREW
2.2	1		DADO ZINCATO AUTOBLOC. M8 ALTO	8MM SELF-LOCKING NUT
2.3	1		CONTRAPPESO MCH13	COUNTERWEIGHT
2.4	3		ANELLO TEMPRATO LR 30X35X16,5	HARDENED RING LR 30X35X16,5
2.5	1		COLLO D'OCA MCH13/16	CRANKSHAFT MCH13/16
2.6	1		CHIAVETTA MM.8X7X25	KEY MM.8X7X25
2.7	1		ANELLO ELASTICO SEEGER A30 30X1,5	SEEGER RETAINING RING A30 30X1,5
2.8	1		RONDELLA PIANA M10 ZINCATA	WASHER M10
2.9	1		VITE 10X40 T.C.E. ZINC.	SCREW 10X40 T.C.E. ZINC.
2.10a	1		FLANGIA LATO VENTOLA MCH 13/16	FAN SIDE FLANGE MCH13-16
2.10b	1		FLANGIA LATO VENTOLA MCH 13/16 X TROPICAL PLUS	FAN SIDE FLANGE MCH13-16 TROPICAL
2.11	1	13-00-0070/N	CUSCINETTO A RULLI NUP 206 C3	ROLLER BEARING NUP 206 C3
2.12	1		O-RING 2562 NBR 90SH FLANGIA	FLANGE O-RING 2562
2.13	1		ANELLO ELASTICO SEEGER J 62 DIN 472	SEEGER RETAINING RING J 62
2.14	4		VITE 8X25 T.C.E. ZINC. DIN 912	SCREW 8X25 T.C.E. ZINC. DIN 912
2.15	1	13-00-0173/D	PARAOLIO DOPPIO LABBRO 30X48X8	OIL SPLASH GUARD 30-48-8
2.16	2		VITE T.C.E. ZINCATA 8X30	SCREW T.C.E. ZINCATA 8X30
KIT3	1	13-01-0107/R	KIT BIELLA PRIMO/TERZO STADIO MCH13/16	1ST/3RD STAGE CON-ROD ASS.BLY KIT
3.1	1		GABBIA A RULLI HK2020 AS1	BEARING ROLLER
3.2	1		ANELLO TEMPRATO IR 42X47X15,1 INTERNO BIELLA	HARDENED RING IR 42X47X15,1
3.3	1		GABBIA A RULLI 35X42X16-AH	BEARING ROLLER
3.4	1		BIELLA PRIMO/TERZO STADIO MCH13/16	1ST/3RD STAGE CON-ROD
3.5	1		RALLA AS 3552	SPACER
KIT4	1	13-00-0105/R	KIT BIELLA SECONDO STADIO MCH13/16	2ND STAGE CON-ROD ASS.BLY MCH13/16 KIT
4.1	1		GABBIA A RULLI HK2020 AS1	BEARING ROLLER
4.2	1		ANELLO TEMPRATO IR 42X47X15,1 INTERNO BIELLA	HARDENED RING IR 42X47X15,1
4.3	1		GABBIA A RULLI 35X42X16-AH	BEARING ROLLER
4.4	1		BIELLA SECONDO STADIO MCH13/16	2ND STAGE CON-ROD
4.5	1		RALLA AS 3552	SPACER
5	1	13-00-0077	VENTOLA DI RAFFREDDAMENTO MCH13/16	COOLING FAN WHEEL MCH13-16
6	1	13-00-01177	RONDELLA VENTOLA MCH-13-16 ZINCATA	WASHER COOLING FAN MCH-13-16
7	1	13-00-0081	VITE 10X40 T.C.E. ZINC.	SCREW 10X40 T.C.E. ZINC.

FLANGE/VENTOLA - FLANGE/COOLING FAN



LIVELLO OLIO - OIL LEVEL

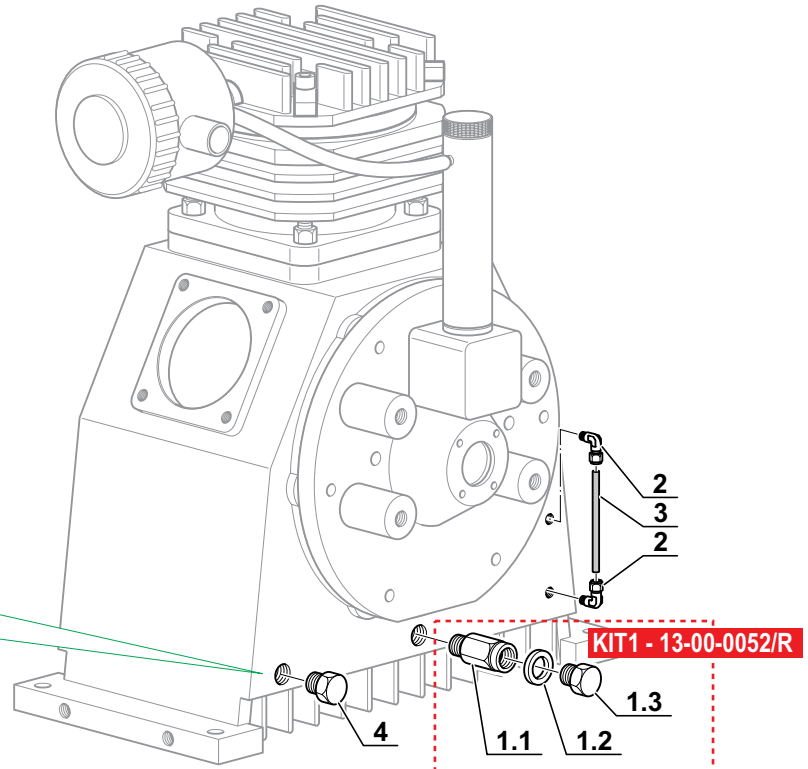
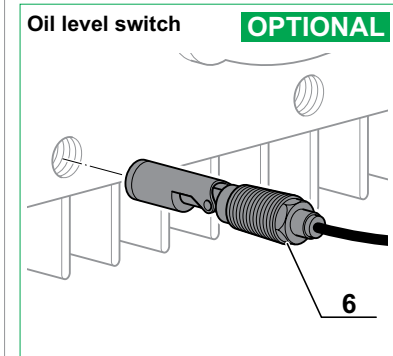
Mod: Standard - Tech - Minitech

Rif. Pos.	Q.tà Q.ty	Codice Code	Descrizione	Description
KIT1	1	13-00-0052/R	KIT PROLUNGA SCARICO OLIO	KIT FITTING FOR OIL DISCHARGE
1.1	1	13-00-0052	PROLUNGA SCARICO OLIO	FITTING FOR OIL DISCHARGE
1.2	1	13-00-0053	GUARNIZIONE RAME 21,5X28X1,5	COPPER GASKET 21,5X28X1,5
1.3	1	13-00-0063	TAPPO SCARICO OLIO	OIL DRAIN PLUG
2	1	13-00-0021	RACCORDO 90° 1/8 NPT	FITTING 90° 1/8 NPT
3	1	13-00-0064	TUBO CONTROLLO LIVELLO OLIO	OIL LEVEL CHECK TUBE MCH13/16
4	1	13-00-0063/NPT	TAPPO OIL ALERT 1/2-14 NPT - MCH-13/16	OIL ALERT 1/2-14 NPT - MCH-13/16 PLUG
5	1	13-00-0068	VISORE LIVELLO OLIO CON GUARNIZIONE	OIL LEVEL VIEWER WITH GASKET
6	1	SC000334	SENSORE LIVELLO OLIO	OIL LEVEL SWITCH

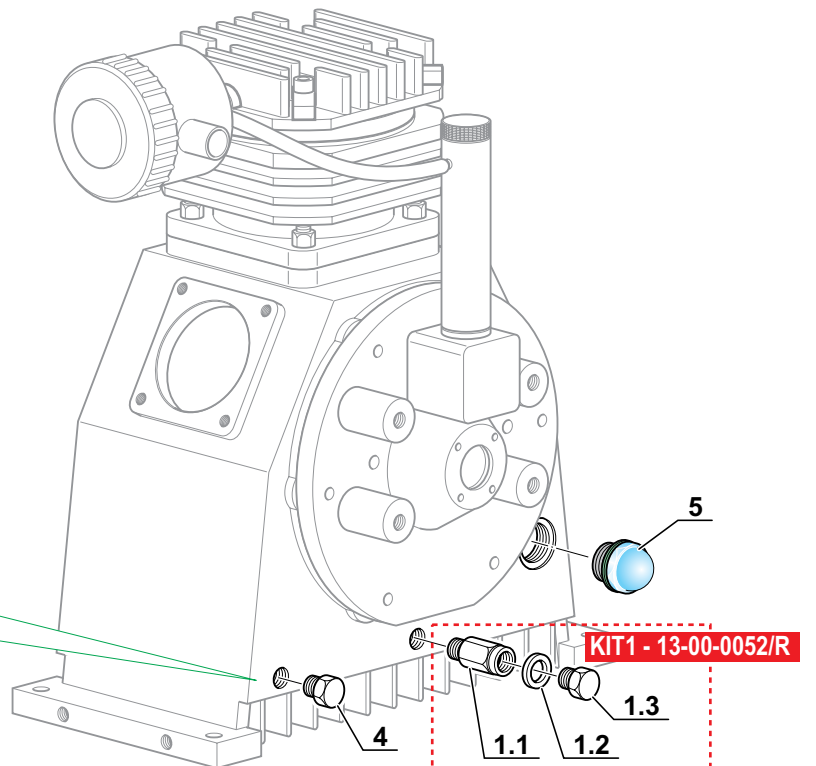
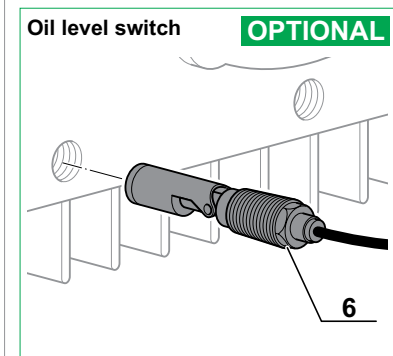
LIVELLO OLIO - OIL LEVEL

Mod: Standard - Tech - Minitch

1 - For models up to 12-2013
Model: Standard - Tech - Minitch



2 - for models build after 12-2013
Model: Standard - Tech - Minitch



LIVELLO OLIO - OIL LEVEL

Mod: Compact - Compact Evo - MiniSilent Evo - SuperSilent Evo - MCH 26-32/ET Compact

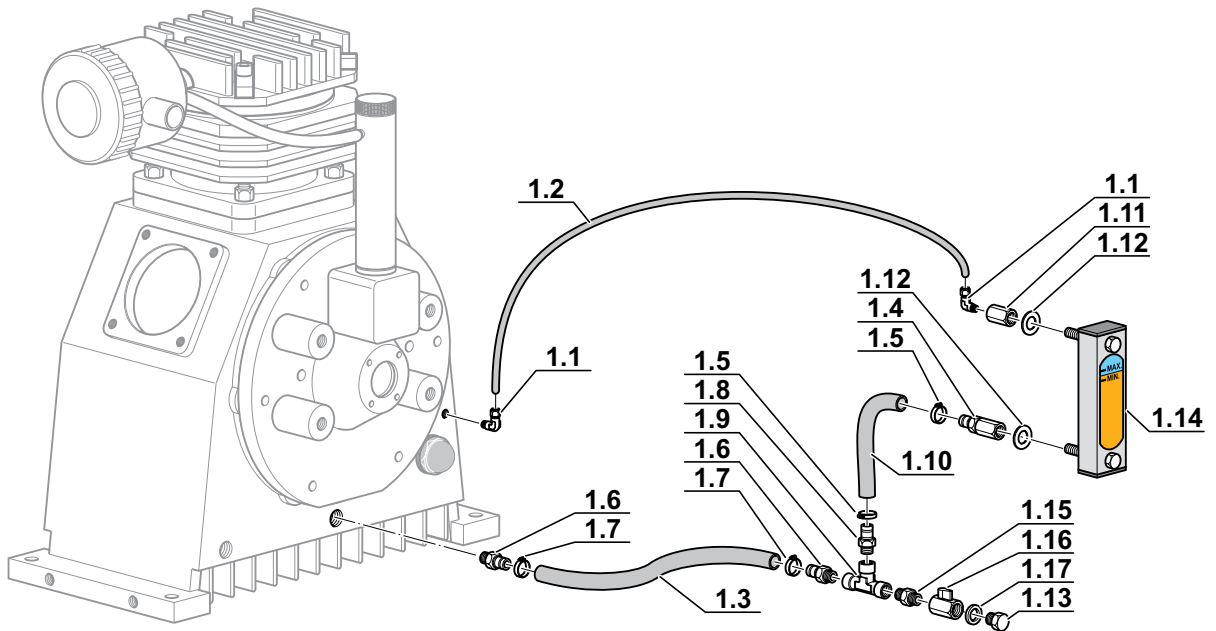
Rif. Pos.	Q.tà Q.ty	Codice Code	Descrizione	Description
KIT1	1	LIVELLO/OLIO/R	KIT LIVELLO OLIO MCH-13-16	KIT OIL LEVEL MCH-13-16
1.1	2		RACCORDO 90° 1/8 NPT	FITTING 90° 1/8 NPT
1.2	0		TUBO CONTROLLO LIVELLO OLIO	OIL LEVEL CHECK TUBE MCH13/16
1.3	0		TUBO SCARICO OLIO MCH13/16 COMPACT	OIL DRAIN TUBE MCH13/16 COMPACT
1.4	1		RACCORDO INFER. LIVELLO OLIO	LOWER OIL LEVEL FITTING
1.5	2		FASCETTA STRING. 2 D10/18	CLAMP 2 D10/18
1.6	2		RACCORDO G1/2 M. - PORTAGOMMA	FITTING G1/2 M.
1.7	4		FASCETTA STRING. 3B D.17/29	CLAMP 3B D.17/29
1.8	2		RACCORDO 1/2 PORTATUBO	1/2 CARRIER FITTING
1.9	1		RACCORDO A T 1/2" F	T FITTING 1/2" F
1.10	0		TUBO LIVELLO OLIO	OIL LEVEL TUBE
1.11	2		RACCORDO SUP. LIVELLO OLIO	OIL LEVEL UPPER FITTING
1.12	2		GUARNIZIONE LIVEL.OLIO 10X20X3	10X20X3 OIL LEVEL GASKET
1.13	1		TAPPO 1/2" SCARICO OLIO	OIL DRAIN PLUG 1/2"
1.14	1		LIVELLO OLIO PER MCH-13-16	OIL LEVEL FOR MCH-13-16
1.15	1		RACCORDO M-M 1/2"	FITTING M-M 1/2"
1.16	1		RUBINETTO SCARICO OLIO MCH13/16	OIL DRAIN VALVE MCH13/16
1.17	1		GUARNIZIONE RAME 21,5X28X1,5	COPPER GASKET 21,5X28X1,5
KIT2	1	LIVELLO/OLIO-2/R	KIT LIVELLO OLIO MCH-26-32	KIT OIL LEVEL MCH-26-32
2.1	2		RACCORDO 90° 1/8 NPT	FITTING 90° 1/8 NPT
2.2	0		TUBO CONTROLLO LIVELLO OLIO	OIL LEVEL CHECK TUBE MCH13/16
2.3	2		FASCETTA STRING. 2 D10/18	CLAMP 2 D10/18
2.4	2		RACCORDO A T FXFXF 1/2	T FITTING FXFXF 1/2
2.5	1		GUARNIZIONE RAME 21,5X28X1,5	COPPER GASKET 21,5X28X1,5
2.6	2		RACCORDO G1/2 M. - PORTAGOMMA	FITTING G1/2 M.
2.7	4		FASCETTA STRING. 3B D.17/29	CLAMP 3B D.17/29
2.8	1		RACCORDO INFER. LIVELLO OLIO	LOWER OIL LEVEL FITTING
2.9	1		RACCORDO A T 1/2" F	T FITTING 1/2" F
2.10	2		RACCORDO M-M 1/2"	FITTING M-M 1/2"
2.11	2		RACCORDO SUP. LIVELLO OLIO	OIL LEVEL UPPER FITTING
2.12	2		GUARNIZIONE LIVEL.OLIO 10X20X3	10X20X3 OIL LEVEL GASKET
2.13a	0,75		TUBO SPIRALATO PER ALIMENTI 16X23 L=750	FOOD SPIRAL HOSE 16X23 L=750
2.13b	1,4		TUBO SPIRALATO PER ALIMENTI 16X23 L=1400	FOOD SPIRAL HOSE 16X23 L=1400
2.14	1		LIVELLO OLIO PER MCH-13-16	OIL LEVEL FOR MCH-13-16
2.15	1		TAPPO OLIO 3/4 NERO	OIL PLUG 3/4 BLACK
2.16	1		RUBINETTO SCARICO OLIO MCH13/16	OIL DRAIN VALVE MCH13/16
2.17	1		RACCORDO F 3/4 F 1/2 X TAPPO	PLUG F 3/4 F 1/2 X FITTING
2.18	1		TAPPO 1/2" SCARICO OLIO	OIL DRAIN PLUG 1/2"
2.19	0		TUBO SCARICO OLIO MCH13/16 COMPACT	OIL DRAIN TUBE MCH13/16 COMPACT
2.20	1		TUBO LIVELLO OLIO	OIL LEVEL TUBE
2.21	1		RACCORDO 1/2 PORTATUBO	1/2 CARRIER FITTING

LIVELLO OLIO - OIL LEVEL

Mod: Compact - Compact Evo - MiniSilent Evo - SuperSilent Evo - MCH 26-32/ET Compact

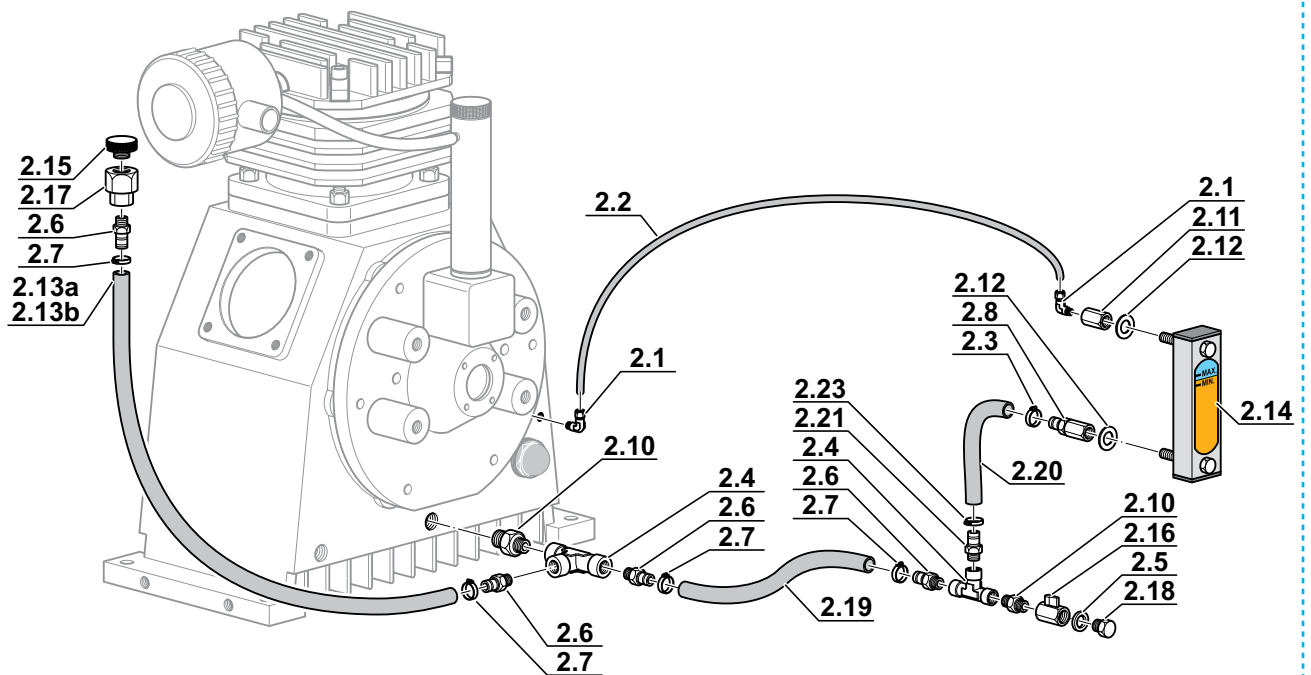
Model: Compact - Compact Evo - MiniSilent Evo - SuperSilent Evo

KIT1 - LIVELLO/OLIO/R



Model: MCH 26-32/ET Compact

KIT2 - LIVELLO/OLIO-2/R



LIVELLO OLIO - OIL LEVEL
Mod: Mark2 - Super Silent Evo Tropical Plus

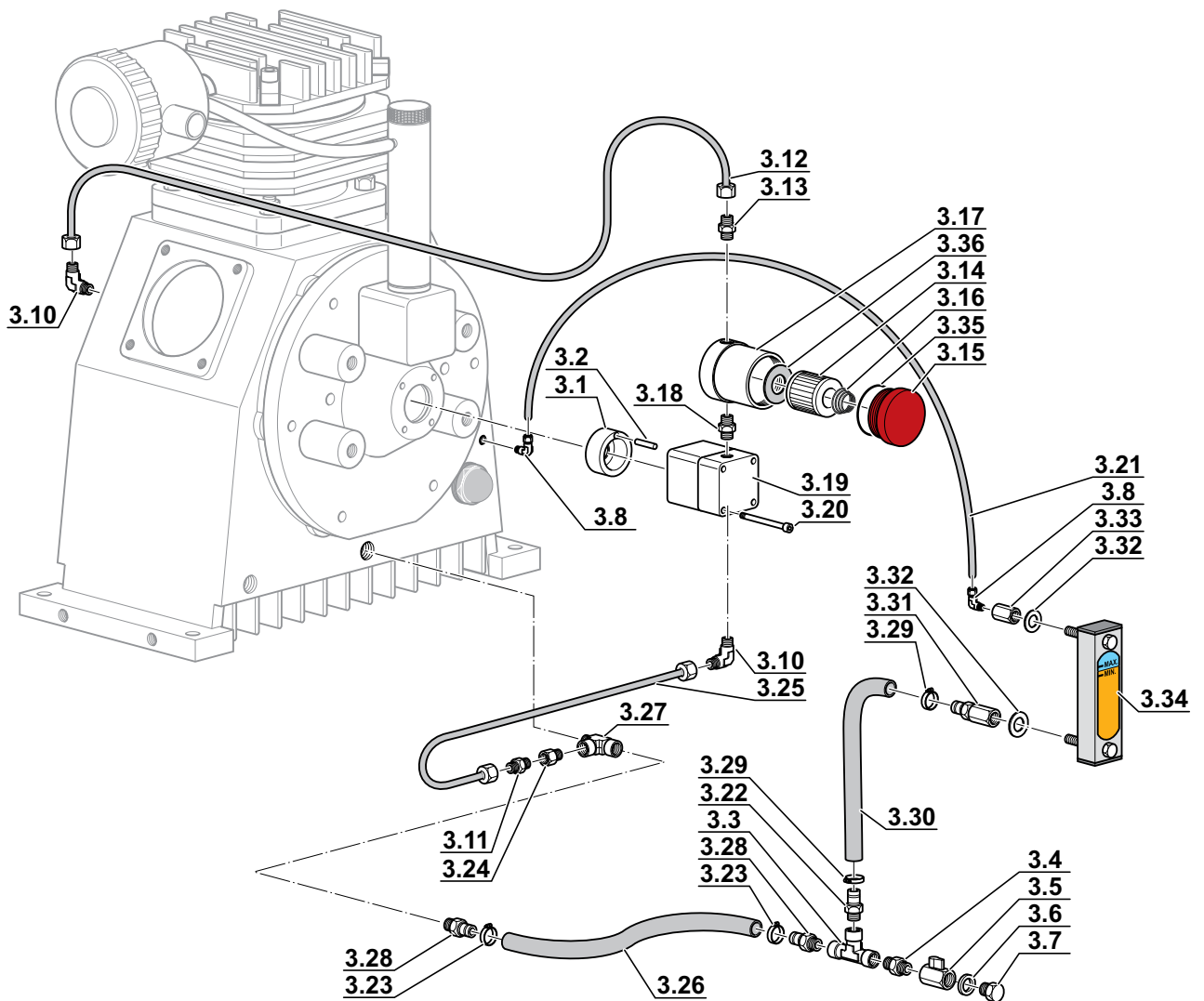
Rif. Pos.	Q.tà Q.ty	Codice Code	Descrizione	Description
KIT3	1	LIVELLO/OLIO-TR/R	KIT LIVELLO OLIO PER MCH-13-16 TROPICAL PLUS	KIT OIL LEVE FOR MCH-13-16 TROPICAL PLUS
3.1	1		GIUNTO POMPA OLIO MCH13/16 PER TROPICAL	OIL PUMP COUPLING MCH13/16 TROPICAL
3.2	1		SPINA ELASTICA 3,5X26	PIN 3,5X26
3.3	1		RACCORDO A T 1/2" F	T FITTING 1/2" F
3.4	1		RACCORDO M-M 1/2"	FITTING M-M 1/2"
3.5	1		RUBINETTO SCARICO OLIO MCH13/16	OIL DRAIN VALVE MCH13/16
3.6	1		GUARNIZIONE RAME 21,5X28X1,5	COPPER GASKET 21,5X28X1,5
3.7	1		TAPPO 1/2" SCARICO OLIO	OIL DRAIN PLUG 1/2"
3.8	2		RACCORDO 90° 1/8 NPT	FITTING 90° 1/8 NPT
3.9	1		RACCORDO 90° 1/2F-1/2M	FITTING 90° 1/2F-1/2M
3.10	2		RACCORDO 90° 1/8 - TUBO 6MM	FITTING 90° 1/8 - TUBO 6MM
3.11	1		RACCORDO DIRITTO 1/4 TUBO 8MM	STRAIGHT FITTING 1/4 TUBE 8MM
3.12	1		TUBO INOX 6X1 MCH-13-16 TP SCARICO OLIO	SS TUBE 6X1 MCH-13-16 TP OIL DRAIN
3.13	1		RACCORDO OGIVA TUBO Ø6 M12X1,5 - 1/8 NPT	FITTING OGIVE Ø6 M12X1,5 - 1/8 NPT
3.14	1	36-06-006	FILTRO OLIO	OIL FILTER
3.15	1		TAPPO FILTRO OLIO ROSSO	OIL FILTER PLUG RED
3.16	1		MOLLA SCARICO CONDENSA	SPRING CONDENSATE DISCHARGE
3.17	1		CARTER POMPA OLIO	OIL PUMP CARTER
3.18	1		RACCORDO 1/8 NPT - 1/8 NPT	FITTING 1/8 NPT - 1/8 NPT
3.19	1		POMPA OLIO MCH36	OIL PUMP MCH36
3.20	4		VITE TCEIZN M5X50-8.8 MCH36	TCEIZN M5X50-8.8 MCH36 SCREW
3.21	1		TUBO RILSAN 8X6	RILSAN HOSE 8X6
3.22	1		RACCORDO 1/2 PORTATUBO	1/2 CARRIER FITTING
3.23	2		FASCETTA STRING. 3B D.17/29	CLAMP 3B D.17/29
3.24	1		RIDUZIONE MF CIL. E2151004 1/2 1/4	M-F 1/2 1/4 REDUCTION
3.25	1		TUBO INOX 8X1 MCH-13-16TP RACC.SCAR. OLIO-POMP	SS TUBE 8X1 MCH-13-16 TP DRAIN FITTING-OIL PUMP
3.26	1		TUBO SCARICO OLIO MCH13/16 COMPACT	OIL DRAIN TUBE MCH13/16 COMPACT
3.27	1		RACCORDO A T FFXM 1/2	T FITTING FFXM 1/2
3.28	2		RACCORDO G1/2 M. - PORTAGOMMA	FITTING G1/2 M.
3.29	2		FASCETTA STRING. 2 D10/18	CLAMP 2 D10/18
3.30	1		TUBO LIVELLO OLIO	OIL LEVEL TUBE
3.31	1		RACCORDO INFER. LIVELLO OLIO	LOWER OIL LEVEL FITTING
3.32	2		GUARNIZIONE LIVEL.OLIO 10X20X3	10X20X3 OIL LEVEL GASKET
3.33	1		RACCORDO SUP. LIVELLO OLIO	OIL LEVEL UPPER FITTING
3.34	1		LIVELLO OLIO PER MCH-13-16	OIL LEVEL FOR MCH-13-16
3.35	1		O-RING 3137 NBR 90SH (34.60X2.62)	O-RING 3137 NBR 90SH (34.60X2.62)
3.36	1		GUARNIZIONE FILTRO OLIO IN NBR	OIL FILTER GASKET

LIVELLO OLIO - OIL LEVEL

Mod: Mark2 - Super Silent Evo Tropical Plus

Model: Mark2 - Super Silent Evo Tropical Plus

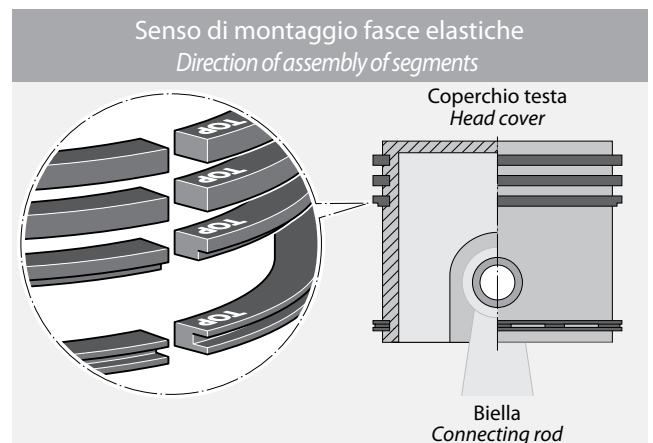
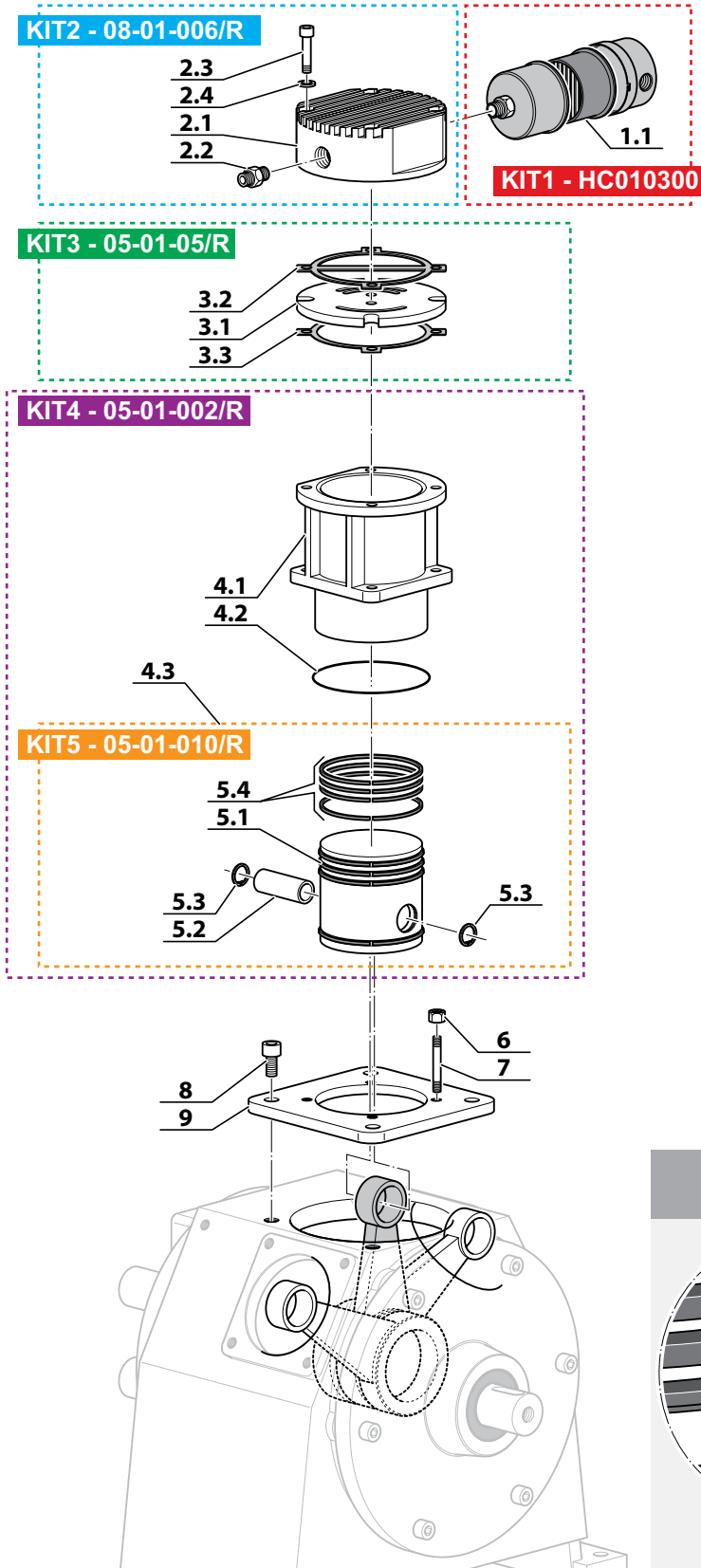
KIT3 - LIVELLO/OLIO-TR/R



1° STADIO MCH-8 - 1st STAGE MCH-8

Rif. Pos.	Q.tà Q.ty	Codice Code	Descrizione	Description
KIT1	1	HC010300	FILTRO ASPIRAZIONE COMPLETO MCH-8/EOLO330	AIR INTAKE FILTER COMPLETE MCH-8/EOLO330
1.1	1	HC010301	CARTUCCIA FILTRO ASPIRAZIONE MCH-8/EOLO330	CARTRIDGE AIR INTAKE FILTER MCH-8/EOLO330
KIT2	1	08-01-006/R	KIT COPERCHIO TESTA 1° ST. MCH-8	1ST STAGE HEAD COVER MCH-8 KIT
2.1	1		COPERCHIO TESTA 1° ST. MCH5 CNG	1ST STAGE HEAD COVER MCH-5
2.2	1		RACCORDO DIRITTO 1/4 TUBO 10MM	STRAIGHT FITTING 1/4 TUBE 10M.
2.3	4		VITE 6X35 T.C.E. ZINC. DIN 912	SCREW 6X35 T.C.E. ZINC. DIN 912
2.4	4		RONDELLA PIANA ZINC. M6	FLAT WASHER M6
KIT3	1	05-01-05/R	KIT VALVOLA A LAMELLE 1° ST. MCH5 CNG	1ST STAGE REED VALVE MCH-5 KIT
3.1	1		VALVOLA A LAMELLE 1° ST. MCH5 CNG	1ST STAGE REED VALVE MCH-5
3.2	1	05-02-016	GUARNIZIONE GRAFITATA TESTA 1° ST. MCH5 CNG	1ST STAGE GASKET HEAD MCH-5
3.3	1	05-02-015	GUARNIZIONE GRAFITATA CIL. 1° ST. MCH5 CNG	1ST STAGE GASKET CYLINDER MCH-5
KIT4	1	05-01-002/R	KIT CILINDRO 1° ST. MCH5 CNG	1ST STAGE CYLINDER MCH-5 KIT
4.1	1		CILINDRO 1° ST. MCH5 CNG	1ST STAGE CYLINDER MCH-5
4.2	1		O-RING 2275 NBR 90SH (69.57X1.78)	O-RING 2275 NBR 90SH 69,57X1,78
4.3	1		KIT PISTONE 1° STADIO MCH5 DIAM. 60 P6052	1ST STAGE PISTON MCH-5 D.60MM KIT
KIT5	1	05-01-010/R	KIT PISTONE 1° STADIO MCH5 DIAM. 60 P6052	1ST STAGE PISTON MCH-5 D.60MM KIT
5.1	1		PISTONE 1° STADIO MCH5 DIAM. 60 P6052	1ST STAGE PISTON MCH-5 D.60MM
5.2	1		SPINOTTO 1° STADIO MCH5 B 20X13X48	1° STAGE PISTON PIN MCH-5 B20X13X48
5.3	2		SEEGER/ANELLO ELAST.SPIN.PIST.	SEEGER RETAINING RING
5.4	4	05-01-0113	SERIE FASCE ELASTICHE D.60MM 1° ST. MCH-5	N°3 SERIES SEGMENTS 1ST STAGE MCH-5 D.60MM
6	4	13-00-0018	DADO ZINCATO M8 MEDIO	MIDDLE NUT M8 ZINC.
7	4	13-01-0008	TIRANTE PRIMO STADIO MCH13/16	FIRST STAGE TIE ROD MCH13/16
8	4	VITE0820	VITE T.C.E. ZINC. 8X20	T.C.E. ZINC. 8X20 SCREW
9	1	05-01-011	PIASTRA COPERTURA FORO Ø70,5 MCH-5 , BOOSTER	LOCKING PLATE HOLE D.70,5 MCH-5

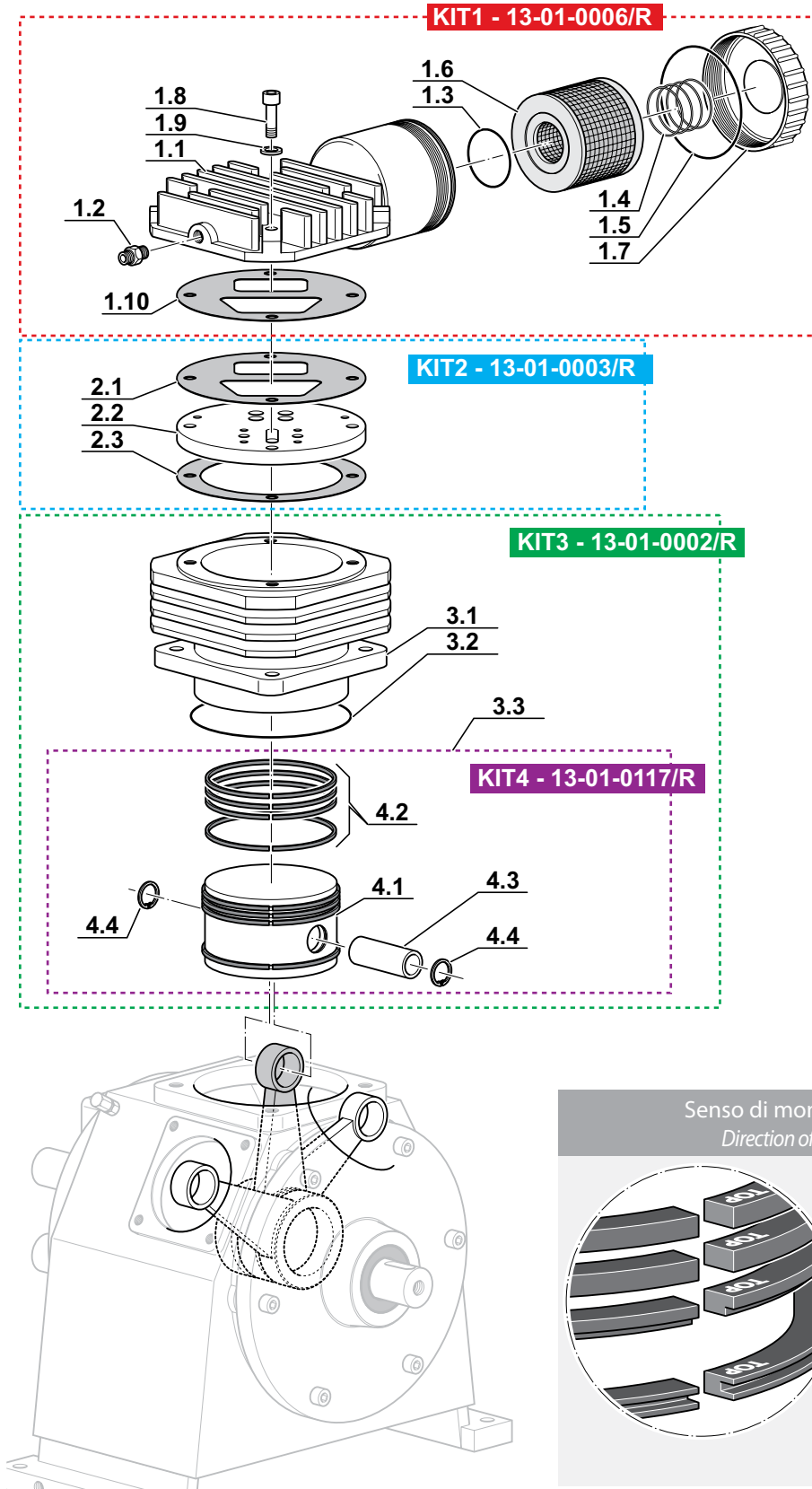
1° STADIO MCH-8 - 1st STAGE MCH-8



1° STADIO MCH-11-13 - 1st STAGE MCH-11-13

Rif. Pos.	Q.tà Q.ty	Codice Code	Descrizione	Description
KIT1	1	13-01-0006/R	KIT COPERCHIO TESTA 1° STADIO MCH-11-13	1ST STAGE HEAD COVER MCH-11-13 KIT
1.1	1		COPERCHIO TESTA 1° STADIO	1 ST STAGE HEAD COVER MCH13/16
1.2	1		RACCORDO DIRITTO 1/4 TUBO 10MM	STRAIGHT FITTING 1/4 TUBE 10M.
1.3	1		O-RING 3137 NBR 90SH (34.60X2.62)	O-R SUCTION FILTER 3137 NBR 90SH (34,60X2,62)
1.4	1		MOLLA FILTRO ASPIRAZIONE	INTAKE FILTER SPRING
1.5	1		O-RING 3281 NBR 90SH COPERC.FILTRO ASPIRAZIONE	INTAKE FILTER COVER O-RING MCH13/16
1.6	1	SC000370	CART. FILTRO ASP. MCH13/16	SUCTION FILTER CARTRIDGE MCH13/16
1.7	1		COPERCHIO FILTRO ASPIRAZIONE	INTAKE FILTER COVER MCH13/16
1.8	4		VITE T.C.E. ZINC. 8X45 DIN912	SCREW T.C.E. ZINC. 8X45 DIN912
1.9	4		RONDELLA PIANA ZINCATA M8	M8 WASHER FLAT ZINC
1.10	1	13-01-0005	GUARNIZ.1° ST.(SAGOM) MCH13/16	1°ST STAGE GASKET MCH/13 UPPER HEAD
KIT2	1	13-01-0003/R	KIT TESTA 1° STADIO 88MM	1°ST STAGE CYLINDER HEAD 88MM KIT
2.1	1	13-01-0005	GUARNIZ.1° ST.(SAGOM) MCH13/16	1°ST STAGE GASKET MCH/13 UPPER HEAD
2.2	1		VALVOLA PRIMO STADIO A LAMELLE MCH13/16	1 ST STAGE REED VALVE
2.3	1	16-01-0003	GUARNIZIONE 1° STADIO D.97MM	1 ST STAGE 97MM. GASKET UNDER HEAD
KIT3	1	13-01-0002/R	KIT CILINDRO 1°STADIO DIAM 88MM MCH-13	1ST STAGE CYLINDER 88MM. MCH13 KIT
3.1	1		CILINDRO 1°STADIO DIAM 88MM MCH-13	1 ST STAGE CYLINDER 88MM. MCH13
3.2	1		O-RING 2400 NBR 90SH(101.34X1.78)	O-RING 2400 NBR 90SH 101,34X1,78
3.3	1		KIT PISTONE 1° MCH-13	1 ST STAGE MCH13 KIT
KIT4	1	13-01-0117/R	KIT PISTONE 1° MCH-13	1ST STAGE MCH13 KIT
4.1	1		PISTONE PRIMO STADIO DIAM.88MM	1 ST STAGE 88MM. PISTON MCH13
4.2	4	13-01-0118	SERIE FASCE ELASTICHE D.88MM	PISTON RINGS D. 88MM 1 ST A STAGE MCH13
4.3	1		SPINOTTO PRIMO STADIO D.88MM	FIRST STAGE 88MM PIN
4.4	2		SEEGER/ANELLO ELAST.SPIN.PIST.	SEEGER RETAINING RING

1° STADIO MCH-11-13 - 1st STAGE MCH-11-13

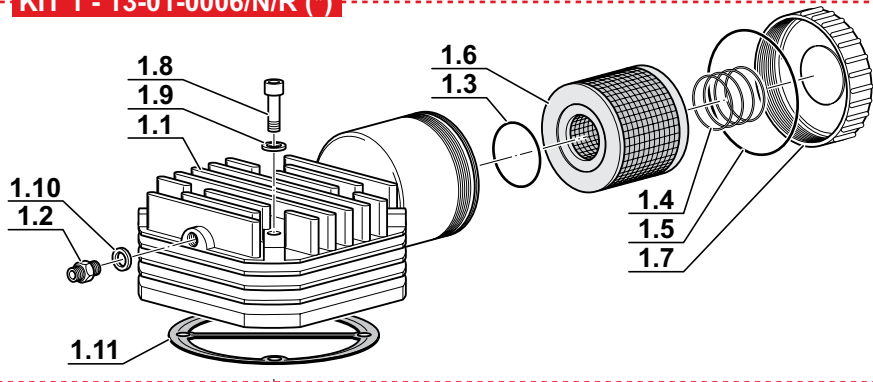


1° STADIO MCH-16-18 - 1st STAGE MCH-16-18

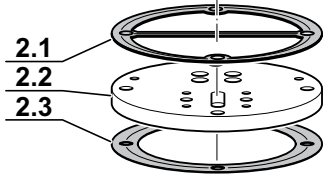
Rif. Pos.	Q.tà Q.ty	Codice Code	Descrizione	Description
KIT1	1	13-01-0006/N/R	KIT COPERCHIO NUOVA TESTA 1° STADIO MCH-16-18	NEW MCH-16-18 1ST STAGE HEAD COVER KIT
1.1	1		COPERCHIO NUOVA TESTA 1° STADIO	NEW 1ST STAGE HEAD COVER MCH13/16
1.2	1		RACCORDO 3/8 TUBO Ø10	FITTING 3/8 TUBE Ø10
1.3	1		O-RING 3137 NBR 90SH (34.60X2.62)	O-R SUCTION FILTER 3137 NBR 90SH (34,60X2,62)
1.4	1		MOLLA FILTRO ASPIRAZIONE	INTAKE FILTER SPRING
1.5	1		O-RING 3281 NBR 90SH COPERC.FILTRO ASPIRAZIONE	INTAKE FILTER COVER O-RING MCH13/16
1.6	1	SC000370	CART. FILTRO ASP. MCH13/16	SUCTION FILTER CARTRIDGE MCH13/16
1.7	1		COPERCHIO FILTRO ASPIRAZIONE	INTAKE FILTER COVER MCH13/16
1.8	4		VITE T.C.E. ZINC. 8X45 DIN912	SCREW T.C.E. ZINC. 8X45 DIN912
1.9	4		RONDELLA PIANA ZINCATA M8	M8 WASHER FLAT ZINC
1.10	1		RONDELLA IN RAME 3/8 (17X23X1,5)	COPPER WASHER 3/8 (17X23X1,5)
1.11	1	13-01-0005/N	GUARNIZ.1° ST.(SAGOM) MCH13/16 NUOVA TESTA	1°ST STAGE GASKET MCH/13 NEW HEAD
KIT2	1	16-01-0003/R	KIT TESTA 1° STADIO 97MM	1°ST STAGE CYLINDER HEAD 97MM KIT
2.1	1	13-01-0005/N	GUARNIZ.1° ST.(SAGOM) MCH13/16 NUOVA TESTA	1°ST STAGE GASKET MCH/13 NEW HEAD
2.2	1		VALVOLA PRIMO STADIO A LAMELLE MCH13/16	1ST STAGE REED VALVE
2.3	1	16-01-0003	GUARNIZIONE 1° STADIO D.97MM	GASKET FIRST STAGE D. 97MM MCH16 UNDER HEAD
KIT3	1	16-01-0002/R	KIT CILINDRO 1°STADIO DIAM. 95MM MCH-16	1ST STAGE CYLINDER D.95MM MCH16 KIT
3.1	1		CILINDRO 1°STADIO DIAM. 95MM MCH-16	1ST STAGE CYLINDER D.95MM MCH16
3.2	1		O-RING 2400 NBR 90SH(101.34X1.78)	O-RING 2400 NBR 90SH 101,34X1,78
3.3	1		KIT PISTONE MCH-16	1ST STAGE MCH16 KIT
KIT4	1	16-01-0117/R	KIT PISTONE MCH-16	1ST STAGE MCH16 KIT
4.1	1	0	PISTONE PRIMO STADIO DIAM.95MM	1ST STAGE PISTON D.95MM MCH16
4.2	4	16-01-0118	SERIE FASCE ELASTICHE D.95MM	PISTON RINGS DIA 95MM FIRST STAGE MCH16
4.3	1		SPINOTTO PRIMO STADIO D.95MM	FIRST STAGE 95MM PIN
4.4	2		SEEGER/ANELLO ELAST.SPIN.PIST.	SEEGER RETAINING RING

1° STADIO MCH-16-18 - 1st STAGE MCH-16-18

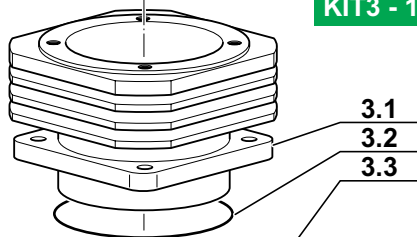
KIT 1 - 13-01-0006/N/R (*)



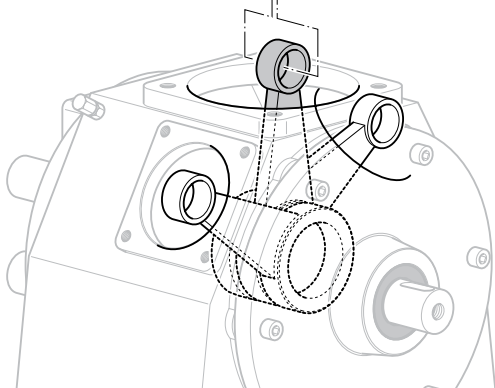
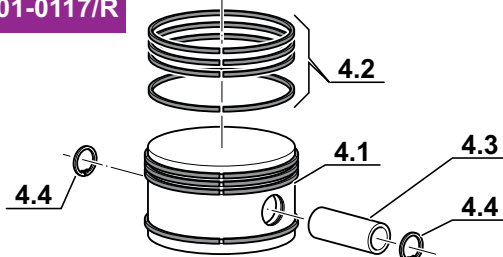
KIT2 - 16-01-0003/R



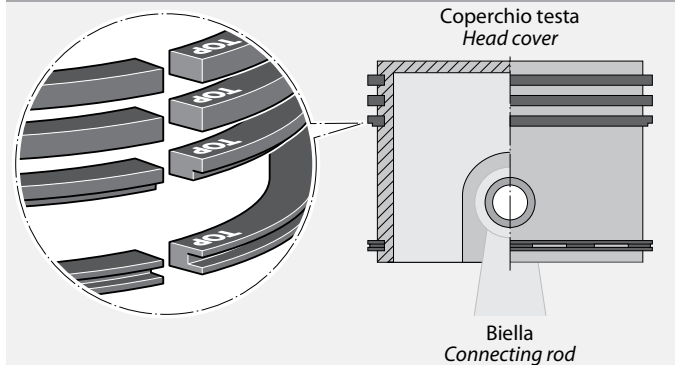
KIT3 - 16-01-0002/R



**KIT4
16-01-0117/R**



Senso di montaggio fasce elastiche
Direction of assembly of segments

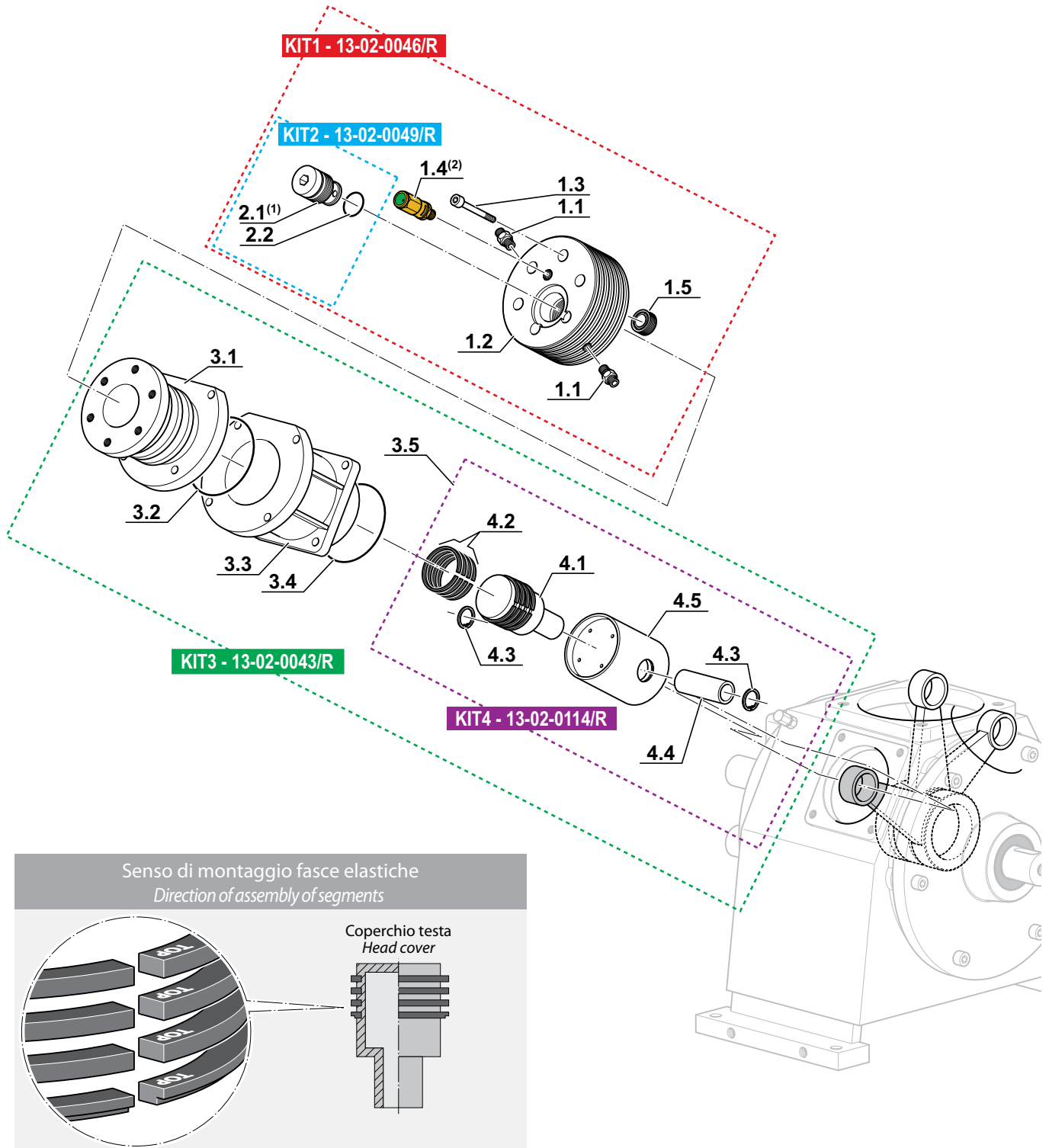


(*) NUOVA TESTA PRIMO STADIO MONTATA SOLO SU COMPRESSORI MCH-16 E MCH-18 A PARTIRE DAL 03-2015
(*) NEW FIRST STAGE HEAD MOUNTED ONLY MCH-16 AND MCH-18 COMPRESSOR FROM 03-2015

2° STADIO MCH-8-11-13 - 2nd STAGE MCH-8-11-13

Rif. Pos.	Q.tà Q.ty	Codice Code	Descrizione	Description
KIT1	1	13-02-0046/R	TESTA 2° STADIO COMPLETA DI VALVOLE E RACCORDI	2ND STAGE HEAD COMPLETE WITH FITTING-ALVE
1.1	2		RACCORDO DIRITTO 1/4 TUBO 10MM	LONG STRAIGHT 1/4 PIPE FITTING 10MM.
1.2	1		TESTA 2° STADIO MCH13/16	SECOND STAGE HEAD MCH13/16
1.3	6		VITE T.C.E. ZINC. 8X30	SCREW 8X30 T.C.E. ZINC.
1.4	1	13-00-0205	VALVOLA SICUREZZA 1° STADIO MCH-13-16 10BAR	1ST STAGE SAFETY VALVE MCH-13-16 10BAR
1.5	1	13-02-0044	VALVOLA ASPIRAZIONE 2°STADIO	2ND STAGE SUCTION VALVE ASSBLY
KIT2	1	13-02-0049/R	KIT VALV.SCAR.2° STAD. MCH13/16	2ND STAGE PRESSURE VALVE ASS MCH13/16 KIT
2.1	1		VALV.SCAR.2° STAD. MCH13/16	2ND STAGE PRESSURE VALVE ASS MCH13/16
2.2	1		O-RING 4087 VITON NBR 90 SHORT (21.82X3.53)	O-RING 4087 (21,82X3,53) VITON NBR 90 SHORT
KIT3	1	13-02-0043/R	KIT CILINDRO SECONDO STADIO D.36MM MCH13	2ND STAGE 36MM CYLINDER MCH13 KIT
3.1	1		CILINDRO SECONDO STADIO D.36MM MCH13	2ND STAGE 36MM CYLINDER MCH13
3.2	1		O-RING 3237 NBR 90SH (60.00X2.62)	O-RING 3237 NBR 90SH 60X2,62
3.3	1		CILINDRO GUIDA 2° STAD. D.60MM	2ND STAGE 60MM. GUIDING CYLINDMCH13/16
3.4	1		O-RING 2275 NBR 90SH (69.57X1.78)	O-RING 2275 NBR 90SH 69,57X1,78
3.5	1		KIT PISTONE 2^ STADIO DIAM.60/36MM MCH-13	2ND STAGE PISTON DIA. 60/36MM MCH13 KIT
KIT4	1	13-02-0114/R	KIT PISTONE 2^ STADIO DIAM.60/36MM MCH-13	2ND STAGE PISTON DIA. 60/36MM MCH13 KIT
4.1	1		PISTONE 2^ STADIO DIAM.60/36MM MCH13	2ND STAGE PISTON DIA. 60/36MM MCH13
4.2	4	13-02-0113	SERIE FASCE ELASTICHE D.36MM	PISTON RING DIA. 36MM 2ND STAGE MCH13
4.3	2		SEEGER/ANELLO ELAST.SPIN.PIST.	SEEGER RETAINING RING
4.4	1		SPINOTTO 3° STADIO D.60,36MM	2ND STAGE PIN
4.5	1		PATTINO GUIDA 3^STADIO DIAM.	PUSHING PISTON 60MM. MCH13-16

2° STADIO MCH-8-11-13 - 2nd STAGE MCH-8-11-13

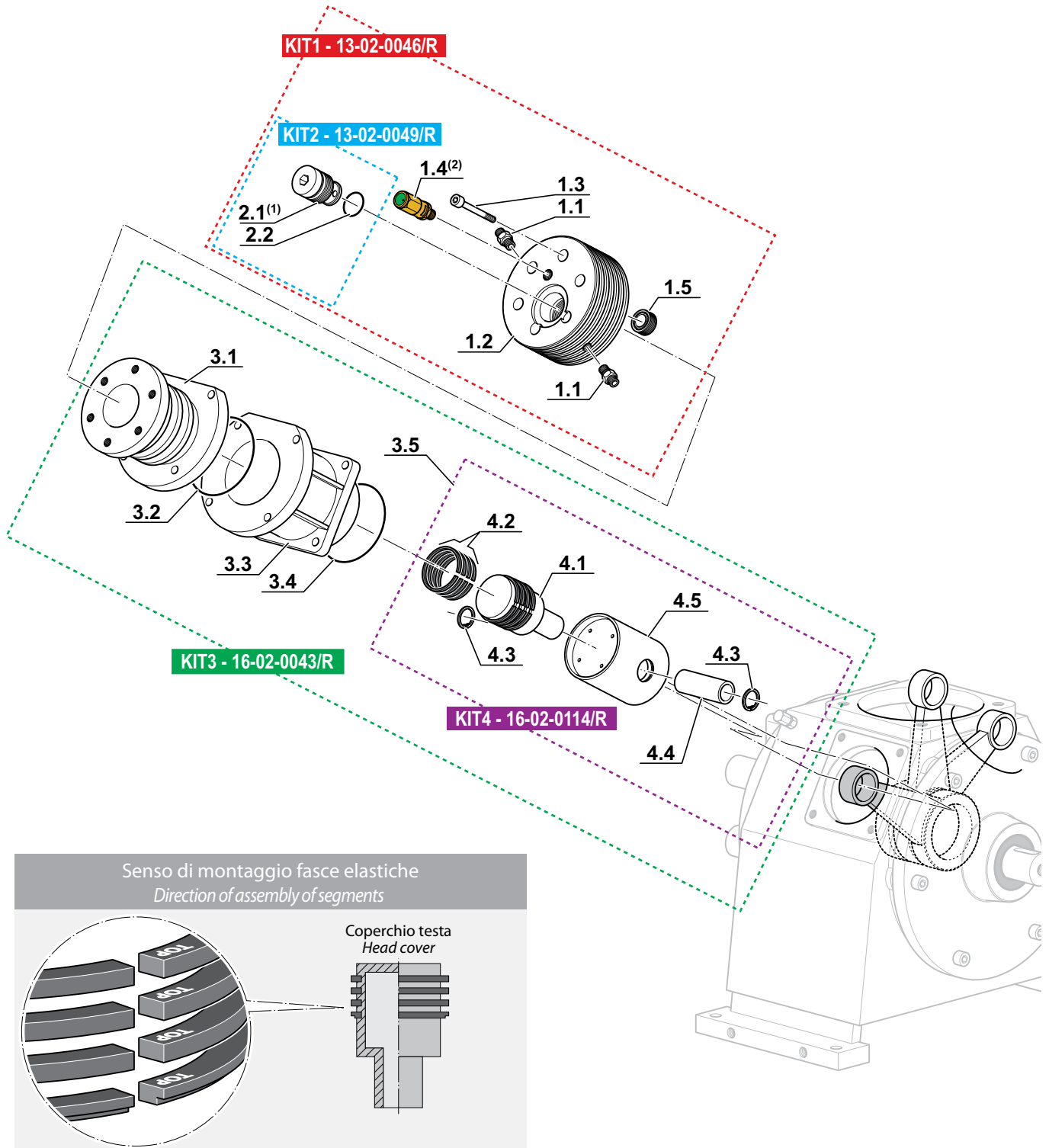


2.1⁽¹⁾ La valvola deve essere stretta con una coppia di serraggio di **65Nm** - The valve must be tightened with a torque of **65Nm**
 1.4⁽²⁾ La valvola deve essere stretta con una coppia di serraggio di **20Nm** - The valve must be tightened with a torque of **20Nm**

2° STADIO MCH-16-18 - 2nd STAGE MCH-16-18

Rif. Pos.	Q.tà Q.ty	Codice Code	Descrizione	Description
KIT1	1	13-02-0046/R	TESTA 2° STADIO COMPLETA DI VALVOLE E RACCORDI	2ND STAGE HEAD COMPLETE WITH FITTING-ALVE
1.1	2		RACCORDO DIRITTO 1/4 TUBO 10MM	LONG STRAIGHT 1/4 PIPE FITTING 10MM.
1.2	1		TESTA 2° STADIO MCH13/16	SECOND STAGE HEAD MCH13/16
1.3	6		VITE T.C.E. ZINC. 8X30	SCREW 8X30 T.C.E. ZINC.
1.4	1	13-00-0205	VALVOLA SICUREZZA 1° STADIO MCH-13-16 10BAR	1ST STAGE SAFETY VALVE MCH-13-16 10BAR
1.5	1	13-02-0044	VALVOLA ASPIRAZIONE 2°STADIO	2ND STAGE SUCTION VALVE ASSBLY
KIT2	1	13-02-0049/R	KIT VALV.SCAR.2° STAD. MCH13/16	2ND STAGE PRESSURE VALVE ASS MCH13/16 KIT
2.1	1		VALV.SCAR.2° STAD. MCH13/16	2ND STAGE PRESSURE VALVE ASS MCH13/16
2.2	1		O-RING 4087 VITON NBR 90 SHORT (21.82X3.53)	O-RING 4087 (21,82X3,53) VITON NBR 90 SHORT
KIT3	1	16-02-0043/R	KIT CILINDRO SECONDO STADIO D.38MM MCH16	2ND STAGE CYLINDER D.38MM MCH16 KIT
3.1	1		CILINDRO SECONDO STADIO D.38MM MCH16	2ND STAGE CYLINDER D.38MM MCH16
3.2	1		O-RING 3237 NBR 90SH (60.00X2.62)	O-RING 3237 NBR 90SH 60X2,62
3.3	1		CILINDRO GUIDA 2° STAD. D.60MM	2ND STAGE 60MM. GUIDING CYLIND MCH13/16
3.4	1		O-RING 2275 NBR 90SH (69.57X1.78)	O-RING 2275 NBR 90SH 69,57X1,78
3.5	1		KIT PISTONE 2^ STADIO DIAM.60/38MM MCH16	2ND STAGE PISTON D.60/38MM MCH16 KIT
KIT4	1	16-02-0114/R	KIT PISTONE 2^ STADIO DIAM.60/38MM MCH16	2ND STAGE PISTON D.60/38MM MCH16 KIT
4.1	1		PISTONE 2^ STADIO DIAM.60/38MM MCH16	2ND STAGE PISTON D.60/38MM MCH16
4.2	4	16-02-0113	SERIE FASCE ELASTICHE D.38MM MCH16	2ND STAGE PISTON RINGS D.38MM MCH/16
4.3	2		SEEGER/ANELLO ELAST.SPIN.PIST.	SEEGER RETAINING RING
4.4	1		SPINOTTO 3° STADIO D.60,36MM	2ND STAGE PIN
4.5	1		PATTINO GUIDA 3^STADIO DIAM.	PUSHING PISTON 60MM. MCH13-16

2° STADIO MCH-16-18 - 2nd STAGE MCH-16-18



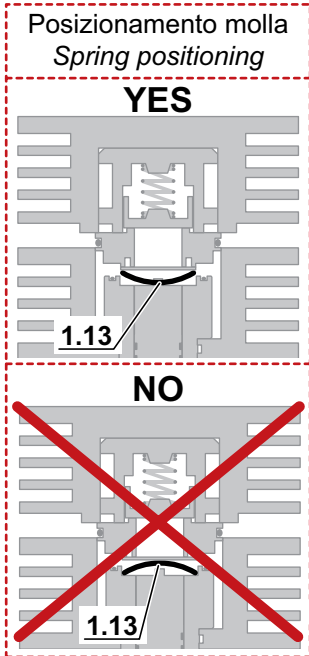
2.1⁽¹⁾ La valvola deve essere stretta con una coppia di serraggio di **65Nm** - The valve must be tightened with a torque of **65Nm**
 1.4⁽²⁾ La valvola deve essere stretta con una coppia di serraggio di **20Nm** - The valve must be tightened with a torque of **20Nm**

3° STADIO G3 - 3rd STAGE G3

Per modelli dal 03-2014 - For models by 03-2014

Rif. Pos.	Q.tà Q.ty	Codice Code	Descrizione	Description
KIT1	1	13-03-0022-2/R	KIT TESTA NUOVA 3° STADIO MCH-13-16	3RD STAGE NEW HEAD MCH-13-16
1.1	1		PERNO GUIDA VALV. SC. 3°ST MCH-13-16 M16X1,5	SPINDLE SPRING VALVE 3RD STAGE
1.2	1		O-RING 2062 VITON NBR 90 SHORT(15.60X1.78)	O-RING VITON NBR 90 SHORT
1.3	1		MOLLA INOX Ø11X8,6 L. 18,5 FILO 1,2 4° ST. MCH-36	INOX SPRING Ø11X8,6 L. 18,5 WIRE 1,2 4° ST. MCH-36
1.4	6		VITE T.C.E. ZINC. 8X45 DIN912	SCREW T.C.E. ZINC. 8X45 DIN912
1.5	1		TESTA NUOVA 3° STADIO MCH-13-16	KIT 3RD STAGE NEW HEAD MCH-13-16
1.6	1		RACC. 1/4 G TUBO 8 MM	1/4 G TUBE 8MM FITTING
1.7	3		RONDELLA 1/4 IN RAME	COPPER WASHER 1/4
1.8	1		RACCORDO 1/4 G -TUBO 6MM DIRITTO ERMETO	FITTING 1/4 G -PIPE 6MM ERMETO
1.9	1		O-RING 2100 VITON NBR 90SH(25.12X1.78)	O-RING 2100 (25,12X1,78) VITON NBR 90SH
1.10	1		PIATTELLO A STELLA VALV. SCARICO 3°ST MCH-13-16	STAR PLATE EXHAUST VALVE 3RD STAGE MCH-13-16
1.11	1		CORPO VALVOLA Ø15 3° STADIO MCH-13-16	BODY VALVE 3RD STAGE MCH-13-16
1.12	1		DISCO VALVOLA ASPIRAZIONE MCH36 (24X15,2X1)	DISC VALVE SUCTION MCH36 (24X15,2X1)
1.13	1		MOLLA 24X15,2 H.0,2 4° ST. MCH-36	SPRING 24X15,2 H.0,2 4° ST. MCH-36
KIT2	1	13-03-0122/R	KIT PISTONE 3° STADIO MCH13/16	PISTON 3RD ST.GE 14 MCH13/16 KIT
2.1	5		SEGMENTI 3^ STADIO Ø14 COD. 0001400000 S0	3°RD STAGE SEGMENTS Ø14 COD. 0001400000 S0
2.2	1		PISTONE 3° STADIO Ø14MM CON PIOLO ACC. AVP	PISTON 3RD ST.GE Ø14MM WITH PEG ACC. AVP
2.3	1		O-RING 2100 VITON NBR 90SH(25.12X1.78)	O-RING 2100 (25,12X1,78) VITON NBR 90SH
2.4	1		CIL. 3° STADIO Ø14MM MCH-13-16 VALV. ASP.	3RD STAGE CYL. Ø14MM MCH13/16 SUCTION VALVE
KIT3	1	13-03-0027/1/R	KIT SOSTITUZIONE NUOVA TESTA	NEW HEAD UPGRADE KIT
3.1	1	13-03-0022-2/R	KIT TESTA NUOVA 3° STADIO MCH-13-16	3RD STAGE NEW HEAD MCH-13-16
3.2	1	13-03-0122/R	KIT PISTONE 3° STADIO MCH13/16	PISTON 3RD ST.GE 14 MCH13/16 KIT
KIT4	1	13-03-0120/R	KIT PATTINO GUIDA 3^ STADIO Ø60	KIT PUSHING PISTON 3RD STAGE Ø60
4.1	1		PATTINO GUIDA 3^STADIO Ø60	PUSHING PISTON 3RD STAGE Ø60
4.2	1		SPINOTTO 3° STADIO D.60,36MM	2ND STAGE PIN
4.3	2		SEEGER/ANELLO ELAST.SPIN.PIST.	SEEGER RETAINING RING
4.4	1		RACCORDO 90° 1/8 NPT	FITTING 90° 1/8 NPT
4.5	1		TUBO VISUALIZZAZIONE LUBRIFIC.	OIL LEVEL INDICATOR
4.6	1		RACC.DIAM. 8 1/8 PER TUBO RILS	CONNECTION .DIAM. 8 1/8 FOR RILS TUBE
4.7	1		CILINDRO INFER. PATTINO GUIDA 60MM 3°ST	LOWER 3RD STAGE 60MM. GUIDING CYLINDER
4.8	1		O-RING 2275 NBR90SH (69.57X1.78)	O-RING 2275 NBR 90SH 69,57X1,78
4.9	1		CILINDRO GUIDA 3°STADIO MCH-13-16 ALLUMINIO	3RD STAGE GUIDING CYLINDER MCH13-16 ALUMINUM
4.10	1		O-RING 3237 NBR90SH (60.00X2.62)	O-RING 3237 NBR 90SH 60X2,62
KIT5	1	13-03-0022/15/R	KIT VALVOLA NUOVA TESTA 3°STADIO	SERVICE KIT 3RD STAGE VALVES G3
5.1	1		O-RING 2062 VITON NBR 90 SHORT(15.60X1.78)	O-RING VITON NBR 90 SHORT
5.2	1		MOLLA INOX Ø11X8,6 L. 18,5 FILO 1,2 4° ST. MCH-36	INOX SPRING Ø11X8,6 L. 18,5 WIRE 1,2 4° ST. MCH-36
5.3	1		RONDELLA 1/4 IN RAME	COPPER WASHER 1/4
5.4	1		PIATTELLO A STELLA VALV. SCARICO 3°ST MCH-13-16	STAR PLATE EXHAUST VALVE 3RD STAGE MCH-13-16
5.5	1		CORPO VALVOLA Ø15 3° STADIO MCH-13-16	BODY VALVE 3RD STAGE MCH-13-16
5.6	1		O-RING 2100 VITON NBR 90SH(25.12X1.78)	O-RING 2100 (25,12X1,78) VITON NBR 90SH
5.7	1		DISCO VALVOLA ASPIRAZIONE MCH36 (24X15,2X1)	DISC VALVE SUCTION MCH36 (24X15,2X1)
5.8	1		MOLLA 24X15,2 H.0,2 4° ST. MCH-36	SPRING 24X15,2 H.0,2 4° ST. MCH-36
5.9	1		O-RING 2100 VITON NBR 90SH(25.12X1.78)	O-RING 2100 (25,12X1,78) VITON NBR 90SH
5.10	1		PERNO GUIDA VALV. SC. 3°ST MCH-13-16 M16X1,5	SPINDLE SPRING VALVE 3RD STAGE

3° STADIO G3 - 3rd STAGE G3 Per modelli dal 03-2014 - For models by 03-2014

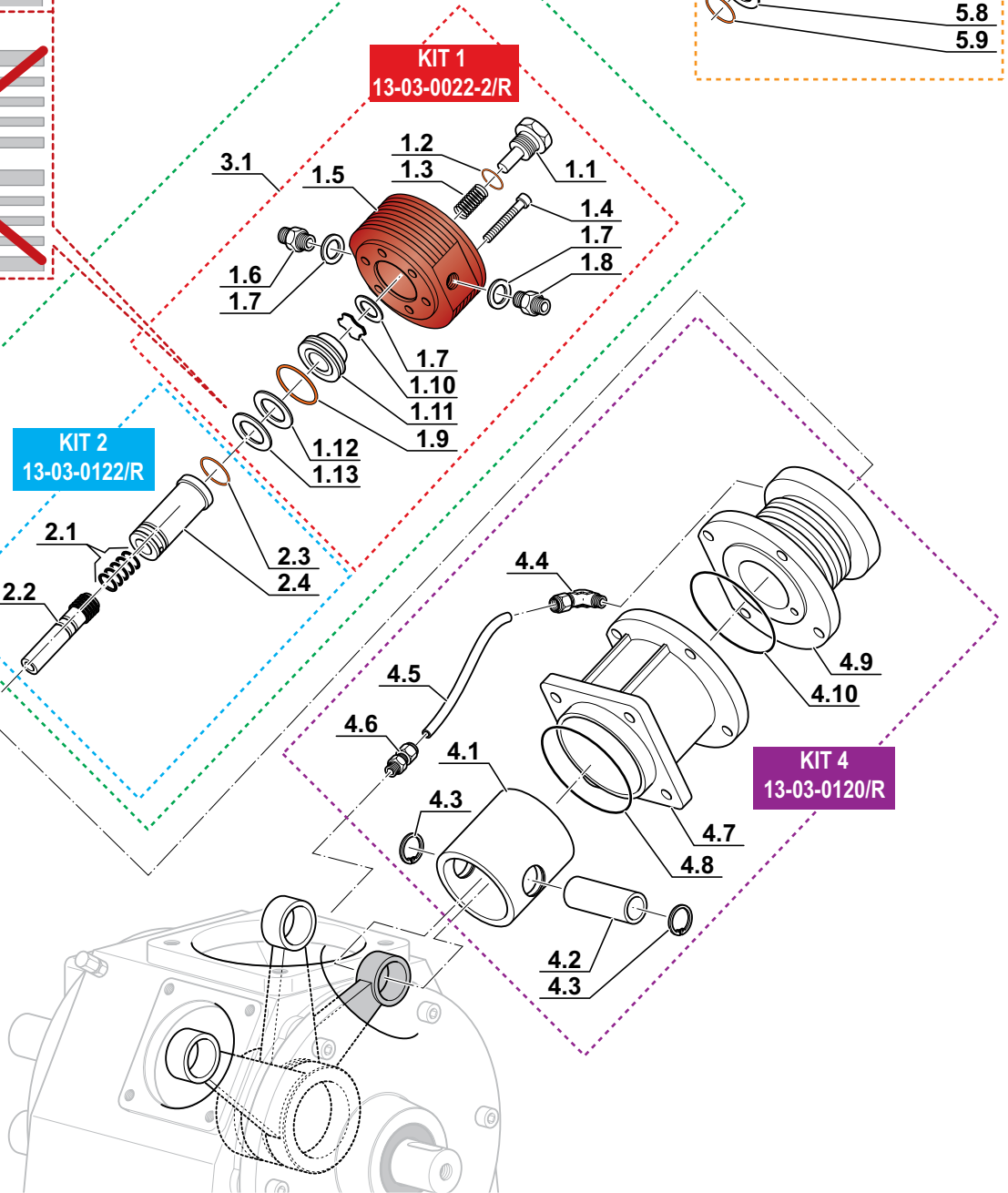


KIT3 - 13-03-0027/1/R
Kit sostituzione nuova testa
New head upgrade kit

KIT 1
13-03-0022-2/R

KIT 2
13-03-0122/R

KIT 4
13-03-0120/R

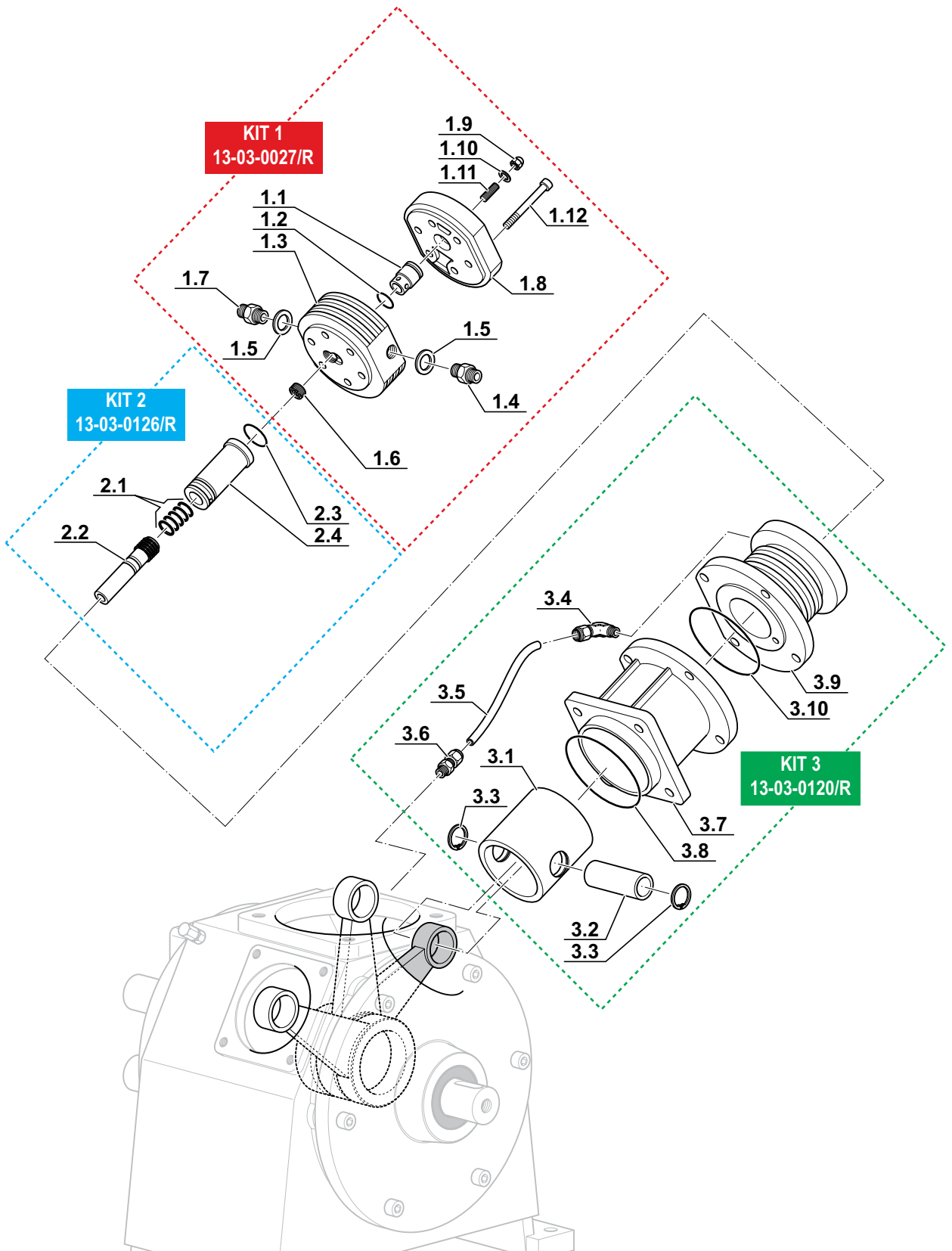


3° STADIO G2 - 3rd STAGE G2

Per modelli fino al 03-2014 - For models up to 03-2014

Rif. Pos.	Q.tà Q.ty	Codice Code	Descrizione	Description
KIT1	1	13-03-0027/R	KIT TESTA 3° STADIO MCH13/16	3RD ST.GE HEAD FOR MCH13/16 KIT
1.1	1	13-03-0028	VALV.SCAR.3° STAD.MCH13/16	3RD STAGE PRESSURE VALVE ASS MCH13/16
1.2	1		O-RING 2062 VITON NBR 90 SHORT(15.60X1.78)	O-RING VITON NBR 90 SHORT
1.3	1		TESTA 3° STADIO MCH13/16	3RD ST.GE HEAD FOR MCH13/16
1.4	2		RACCORDO 1/4 G -TUBO 6MM DIRITTO ERMETO	FITTING 1/4 G -PIPE 6MM ERMETO
1.5	2		RONDELLA 1/4 IN RAME	COPPER WASHER 1/4
1.6	1	13-03-0020	VALV. ASPIRAZ.3° STAD.MCH13/16	3RD SUCTION VALVE ASSBLY MCH13/16
1.7	1		RACC. 1/4 G TUBO 8 MM	1/4 G TUBE 8MM FITTING
1.8	1		COPERCHIO TESTA 3° ST.MCH13/16	3RD STAGE HEAD COVER
1.9	1		DADO INOX CIECO M8 DIN 1587	STAINLESS STEEL 8MM CAP NUT
1.10	1		RONDELLA RAME M8 (8X14X1,5)	8MM COPPER WASHER MCH13/16
1.11	1		GRANO INOX P. 'A' 8X25	8X25 STAINLESS STEEL DOWEL
1.12	6		VITE 8X55 T.C.E. ZINC.	SCREW 8X55 T.C.E. ZINC.
KIT2	1	13-03-0126/R	KIT PISTONE 3° STADIO MCH13/16	PISTON 3RD ST.GE 14 MCH13/16 KIT
2.1	5		SEGMENTI 3^ STADIO Ø14 COD. 0001400000 S0	3°RD STAGE SEGMENTS Ø14 COD. 0001400000 S0
2.2	1		PISTONE 3° STADIO D.14MM	PISTON 3RD ST.GE 14 DIA MM
2.3	1		O-RING 2100 VITON NBR 90 SHORT(25.12X1.78)	O-RING 2100 (25,12X1,78) VITON NBR 90 SHORT
2.4	1		CILINDRO 3° STADIO D.14MM	3RD STAGE CYLINDER DIA 14MM MCH13/16
KIT3	1	13-03-0120/R	KIT CILINDRO GUIDA TERZO STADIO	KIT 3RD STAGE GUIDING CYLINDER MCH13/16
3.1	1		PATTINO GUIDA 3^STADIO DIAM.	PUSHING PISTON 60MM. MCH13-16
3.2	1		SPINOTTO 3° STADIO D.60,36MM	2ND STAGE PIN
3.3	2		SEEGER/ANELLO ELAST.SPIN.PIST.	SEEGER RETAINING RING
3.4	1		RACCORDO 90° 1/8 NPT	FITTING 90° 1/8 NPT
3.5	1		TUBO VISUALIZZAZIONE LUBRIFIC.	OIL LEVEL INDICATOR
3.6	1		RACC.DIAM. 8 1/8 PER TUBO RILS	CONNECTION .DIAM. 8 1/8 FOR RILS TUBE
3.7	1		CILINDRO INFER. PATTINO GUIDA 60MM 3°ST	LOWER 3RD STAGE 60MM. GUIDING CYLINDER
3.8	1		O-RING 2275 NBR90SH (69.57X1.78)	O-RING 2275 NBR 90SH 69,57X1,78
3.9	1		CILINDRO GUIDA TERZO STADIO	3RD STAGE GUIDING CYLINDER MCH13/16
3.10	1		O-RING 3237 NBR90SH (60.00X2.62)	O-RING 3237 NBR 90SH 60X2,62

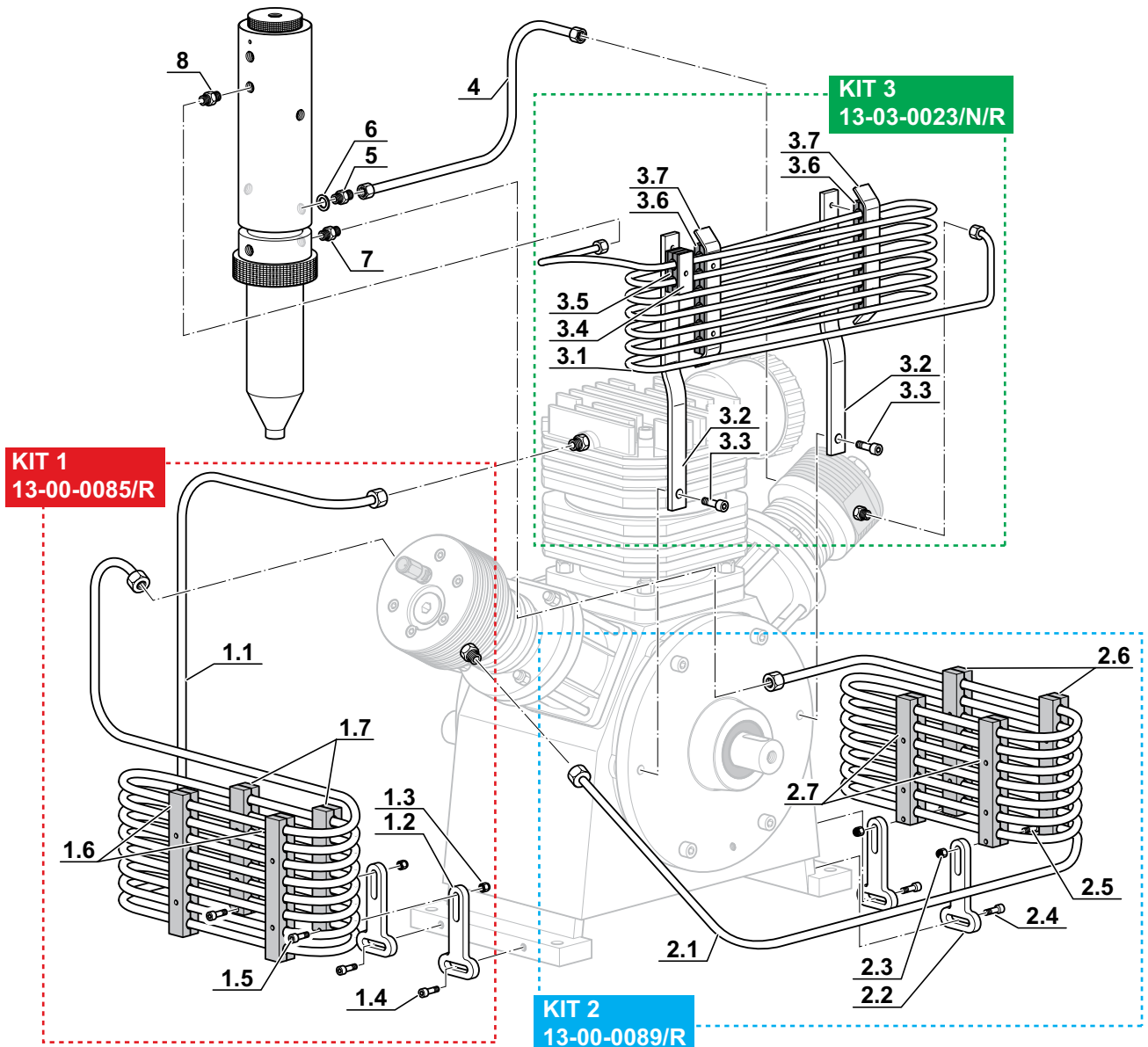
3° STADIO G2 - 3rd STAGE G2
Per modelli fino al 03-2014 - For models up to 03-2014



CIRCUITO DI PRESSIONE - PRESSURE CIRCUIT

Rif. Pos.	Q.tà Q.ty	Codice Code	Descrizione	Description
KIT1	1	13-00-0085/R	KIT TUBO RAFFREDDAMENTO 10MM 1°-2°ST.	1ST-2ND STAGE 10MM COOLING PIPE KIT
1.1	1		TUBO RAFFRED.10MM 1°-2°ST.	1ST-2ND STAGE 10MM COOLING PIPE
1.2	2		STAFFA PORTATUBO ZINC. 45X15MMMCH13/16	PIPE HOLDING BRACKET 45X15MMMCH13/16
1.3	2		DADO ZINCATO AUTOBLOC. M6 ALTO	SELF LOCKING NUT M6 HIGH
1.4	2		VITE T.C.E. ZINC. 6X20 DIN912	SCREW T.C.E. ZINC. 6X20 DIN912
1.5	2		VITE 6X35 T.C.E. ZINC. DIN 912	SCREW 6X35 T.C.E. ZINC. DIN 912
1.6	4		SEMISTAFFA FERMATUBO D.10 2 FORI 8 SEDI	2 HOLE PIPE-HOLDING BRACKET
1.7	4		SEMISTAFFA FERMATUBO D.10 3 FORI 7 SEDI	3 HOLE PIPE-HOLDING BRACKET
KIT2	1	13-00-0089/R	KIT TUBO RAFFREDDAMENTO 10MM 2°-3°ST.	2ND-1ST STAGE 10MM COOLING PIPE KIT
2.1	1		TUBO RAFFR.10MM 2°/3°ST. (F)	2ND-3RD STAGE 10MM COOLING PIPE KIT
2.2	2		STAFFA PORTATUBO ZINC. 75X15MM	PIPE HOLDING BRACKET 75X15MM. MCH13/16
2.3	2		DADO ZINCATO AUTOBLOC. M6 ALTO	SELF LOCKING NUT M6 HIGH
2.4	2		VITE T.C.E. ZINC. 6X20 DIN912	SCREW T.C.E. ZINC. 6X20 DIN912
2.5	2		VITE 6X35 T.C.E. ZINC. DIN 912	SCREW 6X35 T.C.E. ZINC. DIN 912
2.6	4		SEMISTAFFA FERMATUBO D.10 2 FORI 8 SEDI	2 HOLE PIPE-HOLDING BRACKET
2.7	4		SEMISTAFFA FERMATUBO D.10 3 FORI 7 SEDI	3 HOLE PIPE-HOLDING BRACKET
KIT3	1	13-03-0023/N/R	KIT TUBO RAFFREDAMENTO 6MM 3°-SEPARATORE	3RD-SEPARATOR 6MM COOLING PIPE KIT
3.1	1		TUBO RAFFREDAM.TO DIAM. 6 (C)	6MM COOLING PIPE 3RD-SEPARATOR
3.2	2		STAFFA PORTATUBO 6 MM	TUBE CLAMP 6 MM SEPARATOR-4TH STAGE
3.3	2		VITE T.C.E. ZINCATA 8X30	SCREW T.C.E. ZINCATA 8X30
3.4	2		STAFFA SINGOLA PORTATUBO 3MM	SINGLE 6MM. PIPE-HOLDING BRACKET MCH13/16
3.5	2		GOMM ANTIVIBR 2 FORI TUBO DA 6	ANTI VIBRATION BLOCK TUBE6 2 HOLE
3.6	8		ANTIVIBRANTE 7 FORI Ø6 PORTATUBO - 4 PEZZI	ANTI VIBRATION BLOCK TUBE6 7 HOLE - 4 PIECES
3.7	2		STAFFA DOPPIA PORTATUBO 6MM	DOUBLE 6MM. PIPE-HOLDING BRACKET MCH13/16
4	1	13-00-0036/P	TUBO 8MM COLLEG.SEP/3° ST.(D)	TUBE 8MM. 3RD STAGE/SEPARATOR(D) MCH13/16
5	1	13-00-0175E	RACC. 1/4 G TUBO 8 MM	1/4 G TUBE 8MM FITTING
6	1	GUAR1319	RONDELLA 1/4 IN RAME	COPPER WASHER 1/4
7	1	13-00-0026E	RACCORDO 1/4 G -TUBO 10MM DIRITTO ERMETO	STRAIGHT FITTING 1/4 G -TUBO 10MM ERMETO
8	1	13-00-0174E	RACC. 1/8 NPT TUBO 6 MM	STRAIGHT 1/8 PIPE FITTING 6

CIRCUITO DI PRESSIONE - PRESSURE CIRCUIT

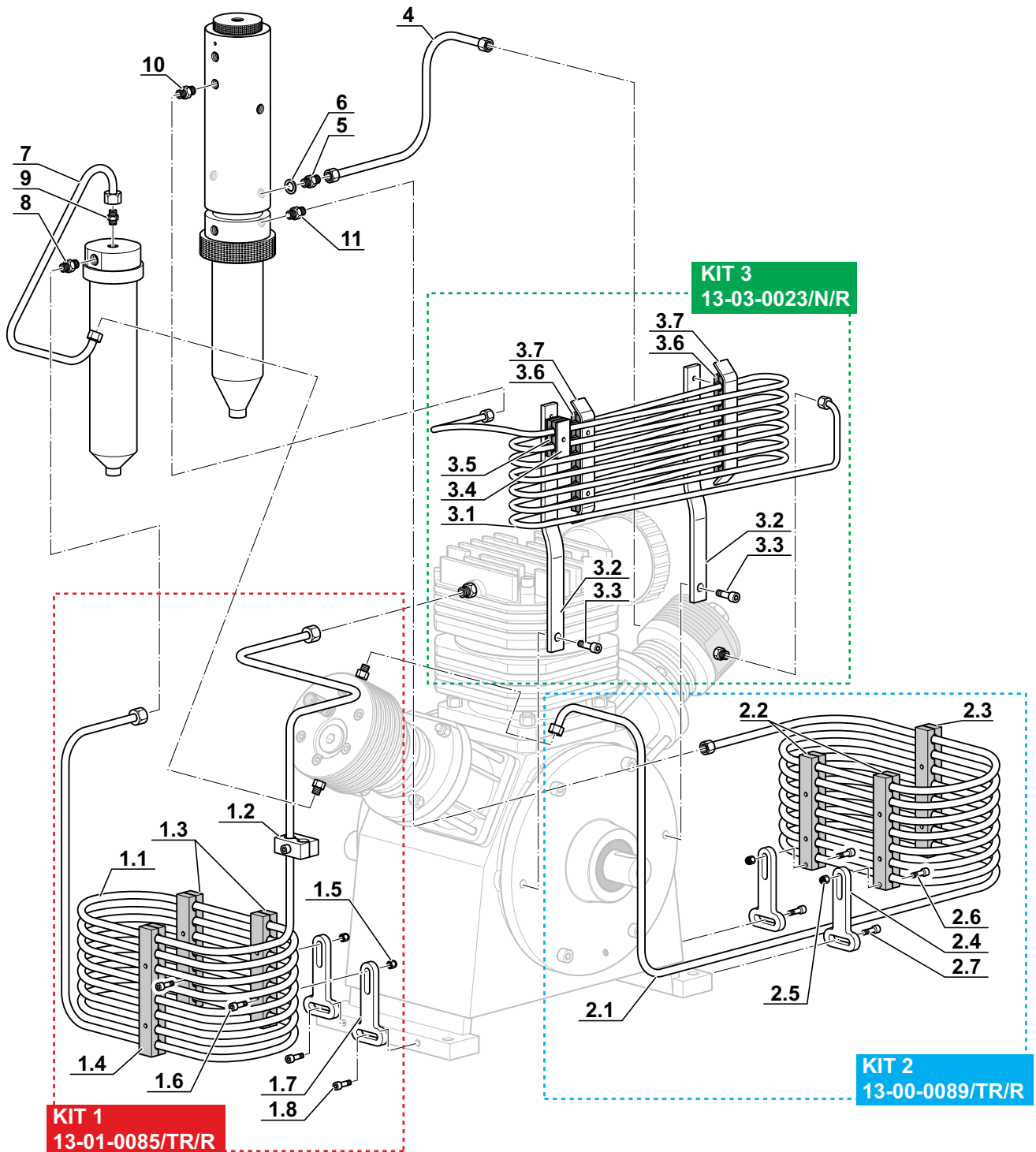


CIRCUITO DI PRESSIONE - PRESSURE CIRCUIT

Mod: Tropical - Tropical Plus

Rif. Pos.	Q.tà Q.ty	Codice Code	Descrizione	Description
KIT1	1	13-01-0085/TR/R	KIT TUBO RAFFR. 1°-SEP. 12MM MCH13/16 TR-TRPL	COOLING PIPE 12MM 1ST-SEP. MCH13/16 TR-TRPL KIT
1.1	1		TUBO RAFFR. MCH13 T/TP Ø12 (C)	COOLING PIPE 12MM 1ST-SEPARATOR MCH13/16 T-TP
1.2	2		STAFFA FERMATUBO D. 12 DUE VIE X TROPICAL	2 HOLE PIPE-HOLDING BRACKET
1.3	4		SEMISTAFFA FERMATUBO D.12 3 FORI 7 SEDI	3 HOLE PIPE-HOLDING BRACKET
1.4	2		SEMISTAFFA FERMATUBO D.12 2 FORI 8 SEDI	2 HOLE PIPE-HOLDING BRACKET
1.5	2		DADO ZINCATO AUTOBLOC. M6 ALTO	SELF LOCKING NUT M6 HIGH
1.6	2		VITE 6X35 T.C.E. ZINC. DIN 912	SCREW 6X35 T.C.E. ZINC. DIN 912
1.7	2		STAFFA PORTATUBO ZINC. 45X15MMMCH13/16	PIPE HOLDING BRACKET 45X15MMMCH13/16
1.8	4		VITE T.C.E. ZINC. 6X20 DIN912	SCREW T.C.E. ZINC. 6X20 DIN912
KIT2	1	13-00-0089/TR/R	KIT TUBO RAFFR. 2°-SEP. 12MM MCH13/16 TR-TRPL	COOLING PIPE 12MM 2ND-SEP. MCH13/16 TR-TRPL KIT
2.1	1		TUBO RAFFR.12MM MCH13/16 TRL/TRPL(D)	COOLING PIPE 12MM 2ND-SEP. MCH13/16 TR-TR.PL
2.2	4		SEMISTAFFA FERMATUBO D.12 3 FORI 7 SEDI	3 HOLE PIPE-HOLDING BRACKET
2.3	2		SEMISTAFFA FERMATUBO D.12 2 FORI 8 SEDI	2 HOLE PIPE-HOLDING BRACKET
2.4	2		STAFFA PORTATUBO ZINC. 75X15MM	PIPE HOLDING BRACKET 75X15MM. MCH13/16
2.5	2		DADO ZINCATO AUTOBLOC. M6 ALTO	SELF LOCKING NUT M6 HIGH
2.6	2		VITE 6X35 T.C.E. ZINC. DIN 912	SCREW 6X35 T.C.E. ZINC. DIN 912
2.7	2		VITE T.C.E. ZINC. 6X20 DIN912	SCREW T.C.E. ZINC. 6X20 DIN912
KIT3	1	13-03-0023/N/R	KIT TUBO RAFFREDDAMENTO 6MM 3°-SEPARATORE	3RD-SEPARATOR 6MM COOLING PIPE KIT
3.1	1		TUBO RAFFREDAM.TO DIAM. 6 (C)	6MM COOLING PIPE 3RD-SEPARATOR
3.2	2		STAFFA PORTATUBO 6 MM	TUBE CLAMP 6 MM SEPARATOR-4TH STAGE
3.3	2		VITE T.C.E. ZINCATA 8X30	SCREW T.C.E. ZINCATA 8X30
3.4	2		STAFFA SINGOLA PORTATUBO 3MM	SINGLE 6MM. PIPE-HOLDING BRACKET MCH13/16
3.5	2		GOMM ANTIVIBR 2 FORI TUBO DA 6	ANTI VIBRATION BLOCK TUBE6 2 HOLE
3.6	8		GOMM. ANTIVIBR. PORTATUB 3 FOR	ANTI VIBRATION BLOCK TUBE6 3 HOLE
3.7	2		STAFFA DOPPIA PORTATUBO 6MM	DOUBLE 6MM. PIPE-HOLDING BRACKET MCH13/16
4	1	13-00-0036/N/P	TUBO 8MM COLLEG.SEP/3° ST.(D)	TUBE 8MM SEP/3° ST.(D)
5	1	13-00-0175E	RACC. 1/4 G TUBO 8 MM	1/4 G TUBE 8MM FITTING
6	1	GUAR1319	RONDELLA 1/4 IN RAME	COPPER WASHER 1/4
7	1	13-02-0086/TR/P	TUBO RAFFR. Ø12 MCH13/16 T/TP (B)	COOLING PIPE 12MM SEP.-2ND MCH13/16 T-TP
8	1	RACC212112LG1/2	RACC. E212-112L G1/2" CON GUARNIZIONE LARGA	FITTING E212-112L G1/2" WITH GASKET
9	1	RACC/E212112L38	RACCORDO E212-112L G3/8"	FITTING E212-112L G3/8"
10	1	13-00-0174E	RACC. 1/8 NPT TUBO 6 MM	STRAIGHT 1/8 PIPE FITTING 6
11	1	13-02-0048E	RACCORDO G 1/4 - M18X1,5 TUBO Ø12	FITTING 1/4 - M18X1,5 TUBE Ø12

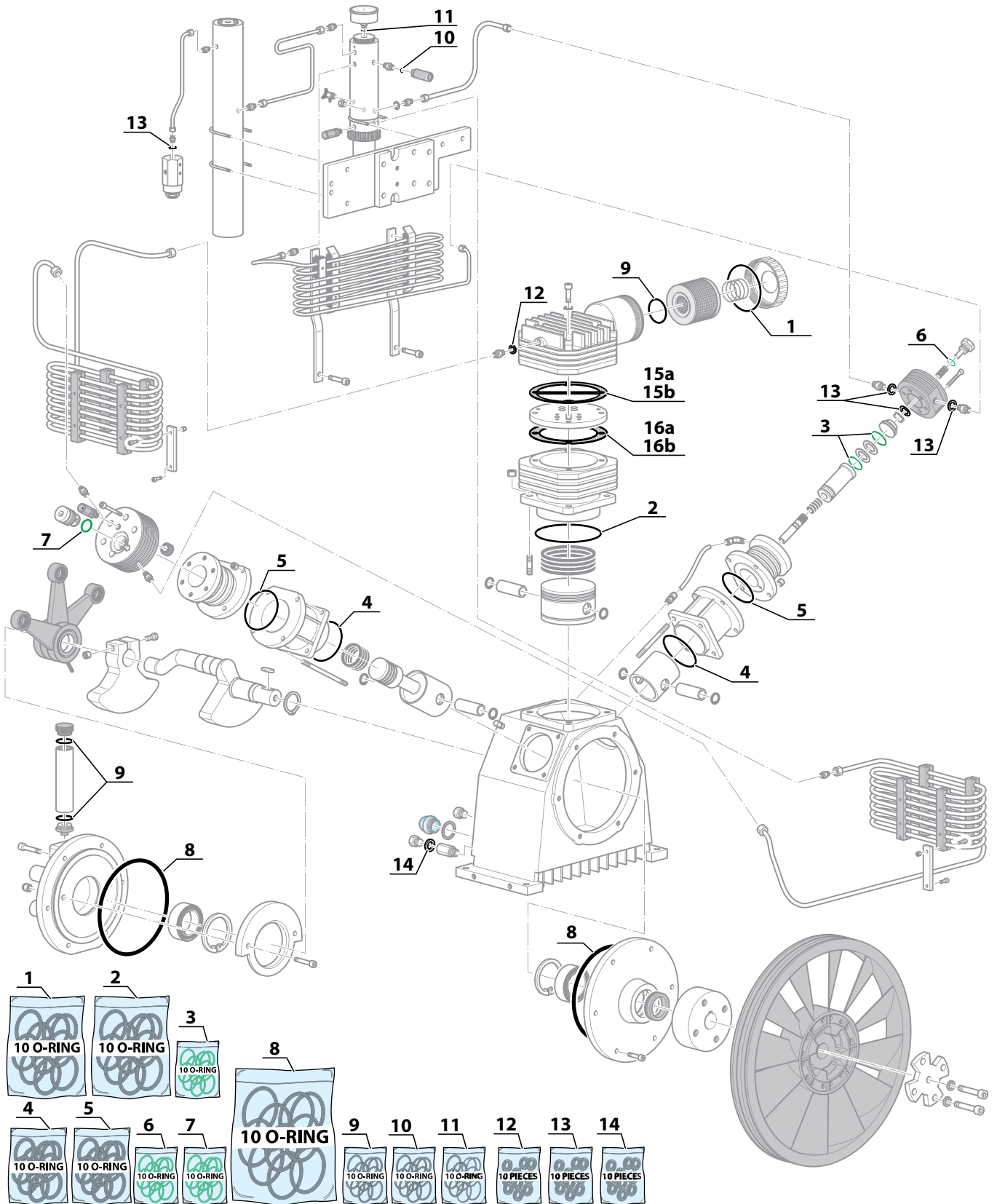
CIRCUITO DI PRESSIONE - PRESSURE CIRCUIT
Mod: Tropical - Tropical Plus



GUARNIZIONI GRUPPO POMPANTE - GASKETS PUMPING GROUP

Rif. Pos.	Q.tà Q.ty	Codice Code	Descrizione	Description
1	10	13-01-0011/R	KIT DA 10 O-RING 3281 NBR 90 SH	KIT WITH 10 O-RING 3281 NBR 90 SH
2	10	13-01-0007/R	KIT DA 10 O-RING 2400 NBR 90 SH (101.34X1.78)	KIT WITH 10 O-RING 2400 NBR 90 SH (101.34X1.78)
3	10	13-03-0123/R	KIT DA 10 O-RING 2100 VITON 90 (25.12X1.78)	KIT WITH 10 O-RING 2100 VITON 90 (25.12X1.78)
4	10	13-00-0015/R	KIT DA 10 O-RING 2275 NBR 90 SH (69.57X1.78)	KIT WITH 10 O-RING 2275 NBR 90 SH (69.57X1.78)
5	10	13-00-0039/R	KIT DA 10 O-RING 3237 NBR 90SH (60.00X2.62)	KIT WITH 10 O-RING 3237 NBR 90SH (60.00X2.62)
6	10	13-03-0029/90/R	KIT DA 10 O-RING 2062 VITON 90 (15.60X1.78)	KIT WITH 10 O-RING 2062 VITON 90 (15.60X1.78)
7	10	13-02-0056/R	KIT DA 10 O-RING 4087 VITON 90 (21.82X3.53)	KIT WITH 10 O-RING 4087 VITON 90 (21.82X3.53)
8	10	13-00-0062/R	KIT DA 10 O-RING 2562 NBR 90 SH	KIT WITH 10 O-RING 2562 NBR 90 SH
9	10	13-01-0013/R	KIT DA 10 O-RING 3137 NBR 90 SH (34.60X2.62)	KIT WITH 10 O-RING 3137 NBR 90 SH (34.60X2.62)
10	10	OR-114/90/R	KIT DA 10 O-RING 114 NBR 90 SH	KIT WITH 10 O-RING 114 NBR 90 SH
11	10	OR-2018/90/R	KIT DA 10 O-RING 2018 NBR 90 SH	KIT WITH 10 O-RING 2018 NBR 90 SH
12	10	13-01-0009/R	KIT DA 10 RONDELLA IN RAME 3/8 (17X23X1,5)	KIT WITH 10 WASHER COPPER 3/8 (17X23X1,5)
13	10	GUAR1319/R	KIT DA 10 RONDELLA 1/4 IN RAME	KIT WITH 10 WASHER COPPER 1/4
14	10	13-00-0053/R	KIT DA 10 RONDELLA IN RAME 21,5X28X1,5	KIT WITH 10 WASHER COPPER 21,5X28X1,5
15a	1	13-01-0005/N	GUARNIZIONE 1° ST. MCH13/16 NUOVA TESTA	GASKET 1° ST. MCH13/16 NEW HEAD
15b	1	13-01-0005	GUARNIZIONE 1° ST. MCH13/16	GASKET 1° ST. MCH13/16
16a	1	13-01-0003	GUARNIZIONE 1° STADIO Ø88MM	GASKET 1° STAGE Ø88MM
16b	1	16-01-0003	GUARNIZIONE 1° STADIO Ø97MM	GASKET 1° STAGE Ø97MM

GUARNIZIONI GRUPPO POMPANTE - GASKETS PUMPING GROUP

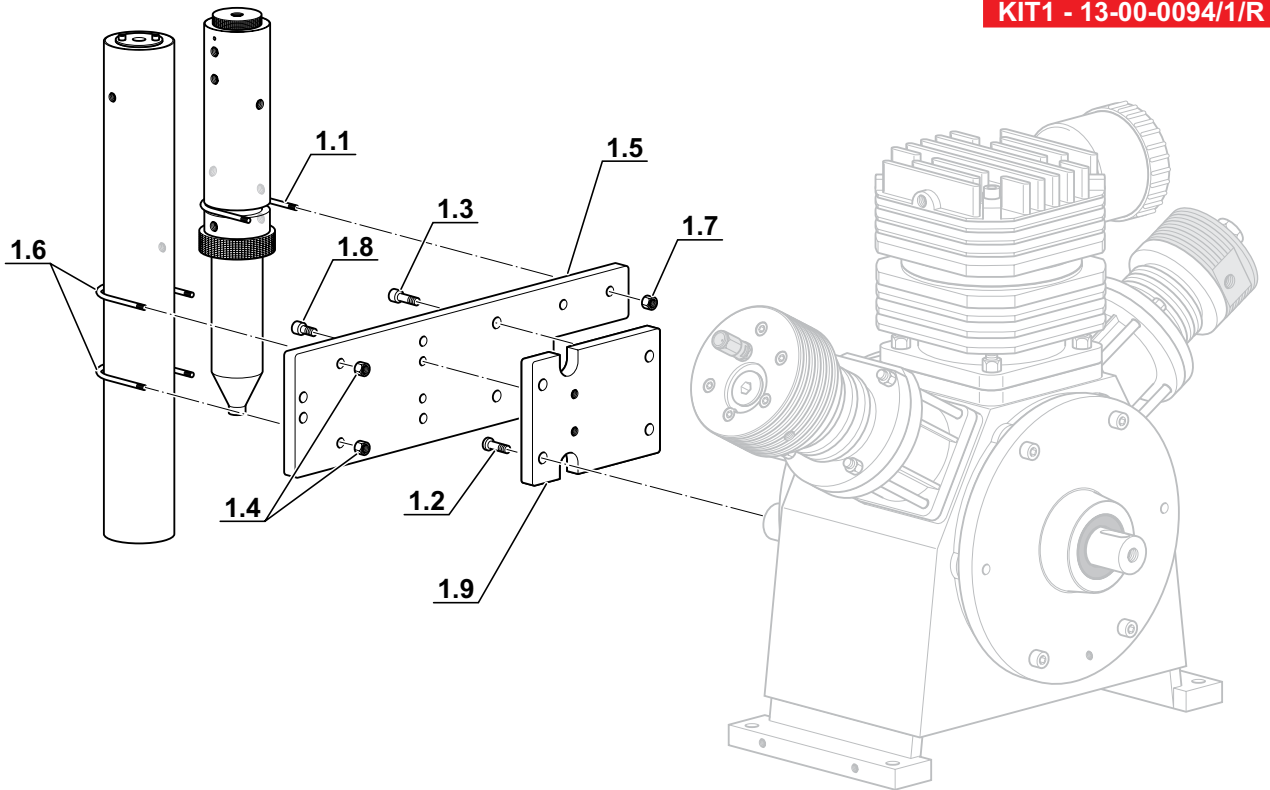


STAFFE DI FISSAGGIO - BRACKETS FIXING

Rif. Pos.	Q.tà Q.ty	Codice Code	Descrizione	Description
KIT1	1	13-00-0094/1/R	KIT PIASTRA PORTAFILTRI MCH13/16 ZINCA. CON BECCO	KIT HOLD-FILTERS PLATE MCH13/16
1.1	1		STAFFA PORTASEPARATORE	SEPARATOR CLAMP
1.2	2		VITE T.C.E. ZINC. 8x25 TESTA BASSA	SCREW T.C.E. ZINC. 8x25 REDUCED HEAD
1.3	2		VITE T.C.E. ZINC. 8x40	SCREW T.C.E. ZINC. 8x40
1.4	4		DADO ZINCATO M8 MEDIO	MIDDLE NUT M8 ZINC.
1.5	1		PIASTRA PORTAFILTRI MCH13/16 ZINCA. CON BECCO	HOLD-FILTERS PLATE MCH13/16
1.6	2		STAFFA PORTAFILTRO MCH13-16	FILTER HOLDING BRACKET MCH13/16
1.7	2		DADO ZINCATO AUTOBLOC. M8 ALTO	8MM SELF-LOCKING NUT
1.8	2		VITE T.C.E. ZINC. 8x20	SCREW T.C.E. ZINC. 8x20
1.9	1		CONTROPIASTRA PORTAFILTRO MCH13-16	COUNTER FILTERS PLATE MCH13/16
KIT2	1	13-00-0094/2/R	KIT PIASTRA QUADRA PORTA SEP. MCH13-16 TROPICAL	KIT SQUARE CONDENSATE SEP. PLATE MCH13-16 ZINC.
2.1	3		STAFFA PORTASEPARATORE	SEPARATOR CLAMP
2.2	2		DADO ZINCATO AUTOBLOC. M8 ALTO	8MM SELF-LOCKING NUT
2.3	4		VITE 8x25 T.C.E. ZINC. DIN 912	SCREW 8x25 T.C.E. ZINC. DIN 912
2.4	4		DADO ZINCATO M8 MEDIO	MIDDLE NUT M8 ZINC.
2.5	1		PIASTRA PORTA SEP. MCH13/16 ZINCATA BIANCA	CONDENSATE SEPARATOR PLATE MCH13-16 ZINC.
2.6	1		PIASTRA QUADRA PORTA SEP. MCH13-16 TROPICAL	SQUARE CONDENSATE SEP. PLATE MCH13-16 ZINC.

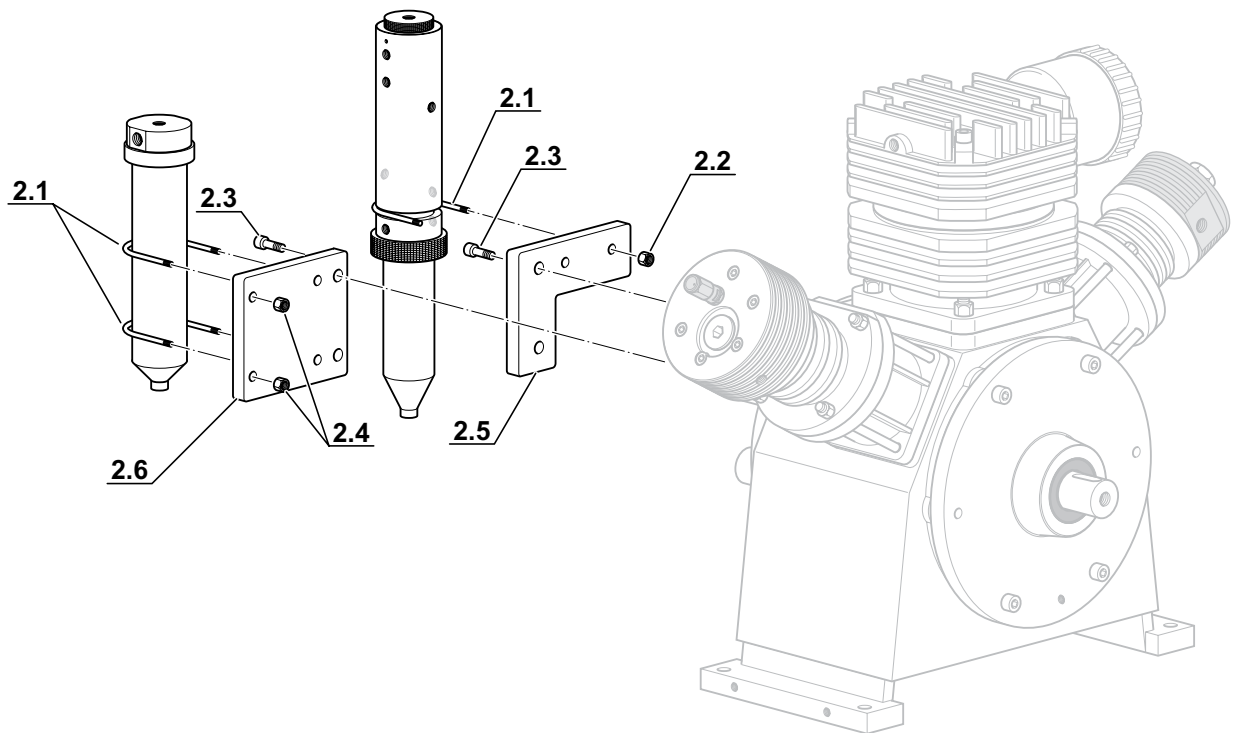
STAFFE DI FISSAGGIO - BRACKETS FIXING

KIT1 - 13-00-0094/1/R



**SOLO PER TROPICAL - TROPICAL PLUS
ONLY TROPICAL - TROPICAL PLUS**

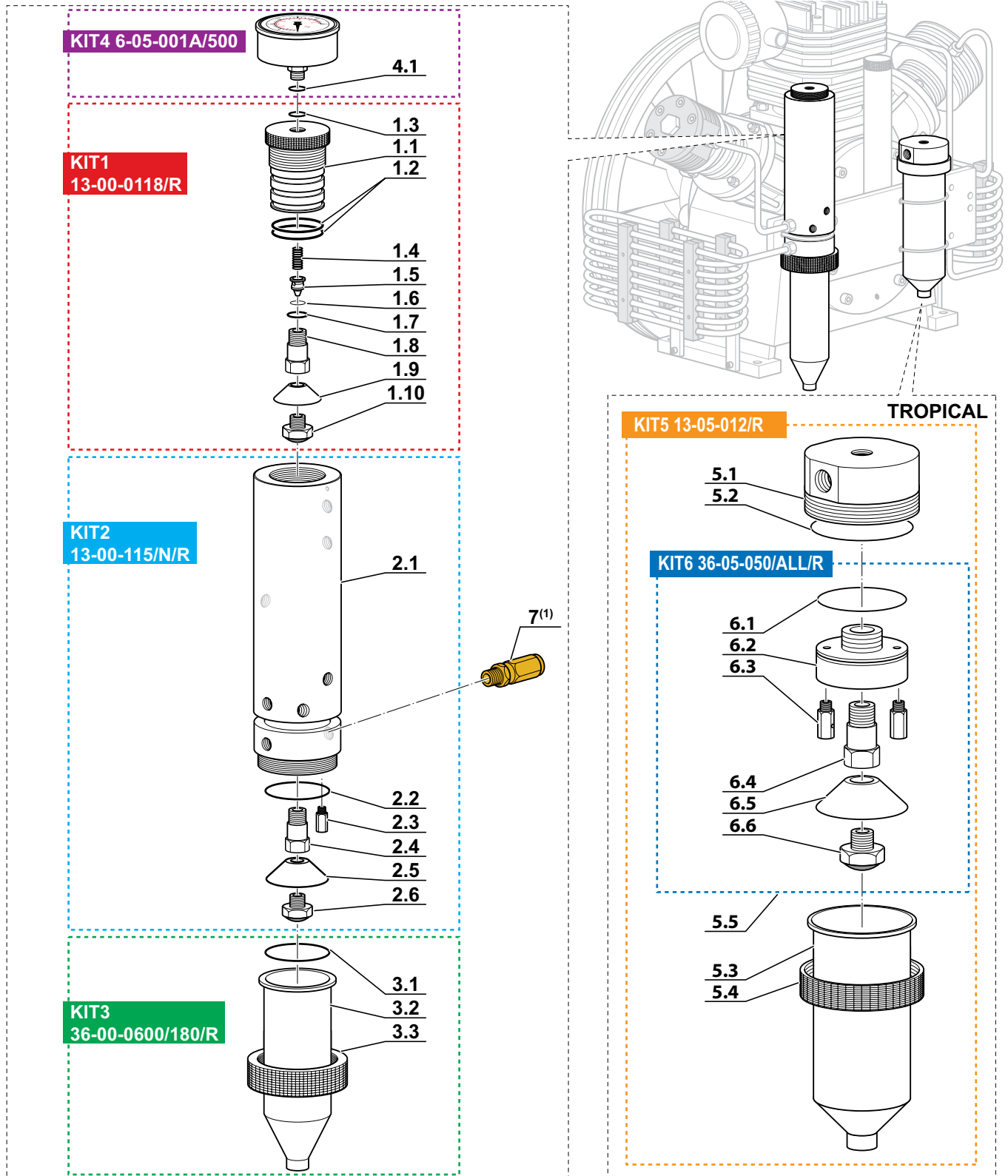
KIT2 - 13-00-0094/2/R



SEPARATORE DI CONDENZA - CONDENSATE SEPARATOR

Rif. Pos.	Q.tà Q.ty	Codice Code	Descrizione	Description
KIT1	1	13-00-0118/R	KIT TAPPO SEPARATORE	CONDENSATE SEPARATOR PLUG KIT
1.1	1		TAPPO SEPARATORE MCH13/16	CONDENSATE SEPARATOR PLUG
1.2	2		O RING 4143 NBR 90 (36,1X3,53)	O RING 4143 NBR 90 (36,1X3,53)
1.3	1		O RING 2018 NBR 90	O RING 2018 NBR 90
1.4	1		MOLLA VALVOLA DI NON RITORNO	CHECK VALVE SPRING
1.5	1		PISTONE VALVOLA DI NON RITORNO	CHECK VALVE PISTON
1.6	1		O RING 2021 NBR 90(5,28X1.78)	O RING 2021 NBR 90(5,28X1.78)
1.7	1		O RING 114 NBR 90 (11.11X1.78)	O RING 114 NBR 90 (11.11X1.78)
1.8	1		RACC. PORTAFILTRO SEP. NUOVO MCH-13/16	MCH-13/16 SEPARATOR FITTING
1.9	1		CAMPANA DIAM. 38 C/F D.12,5 IN ALL. SP. 1	D38 C/F D.12,5 IN ALL. SP. 1 WASHER
1.10	1		SILENZIATORE 1/4 E90A4003	SILENCER 1/4 E90A4003
KIT2	1	13-00-115/N/R	KIT CORPO SEPARATORE MCH13/16 NUOVO	NEW SEPARATOR BODY MCH13/16 KIT
2.1	1		CORPO SEPARATORE MCH13/16 NUOVO	NEW SEPARATOR BODY MCH13/16
2.2	1		O-RING 2212 NBR90 (53.67X1.78)MCH36	O-RING 2212 NBR90 (53.67X1.78)MCH36
2.3	1		DIFFUSORE SEPARATORE DI CONDENZA MCH13/16	NEW CONDENSATE SEPARATOR DIFFUSER MCH13/16
2.4	1		RACC. PORTAFILTRO SEP. NUOVO MCH-13/16	MCH-13/16 SEPARATOR FITTING
2.5	1		CAMPANA DIAM. 48 C/F D.12,5 IN ALL. SP. 1	D48 C/F D.12,5 IN ALL. SP. 1 WASHER
2.6	1		SILENZIATORE 1/4 E90A4003	SILENCER 1/4 E90A4003
KIT3	1	36-00-0600/180/R	KIT SEPARATORE DIAM. 54 AISI 316L LUNGH. 180MM	D 54 AISI 316L LUNGH. 180MM SEPARATOR KIT
3.1	1		O-RING 2212 NBR90 (53.67X1.78)MCH36	O-RING 2212 NBR90 (53.67X1.78)MCH36
3.2	1		SEPARATORE DIAM. 54 AISI 316L LUNGH. 180MM	D 54 AISI 316L LUNGH. 180MM SEPARATOR
3.3	1		GHIERA SEPARATORE MCH36	SEPARATOR NUT MCH36
KIT4	1	6-05-001A/500	MAN.0-500 BAR/PSI SENZA FLANGIA	MANOMETER 0-500 BAR MCH/6
4.1	1		O RING 2018 NBR 90	O RING 2018 NBR 90
KIT5	1	13-05-012/R	KIT SEP. DI CONDENZA G3/8 MCH-13-16 TROPICAL	CONDENSATE SEP. G3/8 MCH-13-16 TROPICAL KIT
5.1	1		TAPPO DX SEPARATORE G3/8 3°STADIO	3RD STAGE G3/8 SEPARATOR RIGHT PLUG
5.2	1		O-RING 2212 NBR90 (53.67X1.78)MCH36	O-RING 2212 NBR90 (53.67X1.78)MCH36
5.3	1		SEP. DIAM. 54 AISI 316L LUNGH. 180MM X MCH13/16	CONDENSATE SEPARATOR PIPE, STAINLESS 180MM
5.4	1		GHIERA SEPARATORE	SEPARATOR RING
5.5	1		KIT TAPPO INTERNO SEP. NUOVO MCH-13/16	MCH-13/16 SEPARATOR FITTING INTERNAL PLUG KIT
KIT6	1	36-05-050/ALL/R	KIT TAPPO INTERNO SEP. NUOVO MCH-13/16	MCH-13/16 SEPARATOR FITTING INTERNAL PLUG KIT
6.1	1		OR- 2150 (37,82X1,78) NBR 90SH	OR- 2150 (37,82X1,78) NBR 90SH
6.2	1		TAPPO INTERNO SEP. NUOVO MCH-13/16	MCH-13/16 SEPARATOR FITTING INTERNAL PLUG
6.3	2		DIFFUSORE SEPARATORE DI CONDENZA MCH13/16	NEW CONDENSATE SEPARATOR DIFFUSER MCH13/16
6.4	1		RACC. PORTAFILTRO SEP. NUOVO MCH-13/16	MCH-13/16 SEPARATOR FITTING
6.5	1		RONDELLA DIAM. 48 C/F D.12,5 IN ALL. SP. 1	D48 C/F D.12,5 IN ALL. SP. 1 WASHER
6.6	1		SILENZIATORE 1/4 E90A4003	SILENCER 1/4 E90A4003
7	1	13-00-0206	VALVOLA SICUREZZA 2° STADIO 70BAR	2ND STAGE SAFETY VALVE 70BAR

SEPARATORE DI CONDENZA - CONDENSATE SEPARATOR



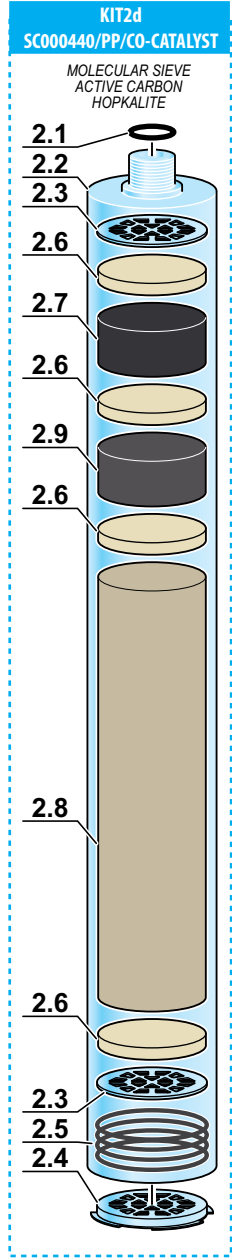
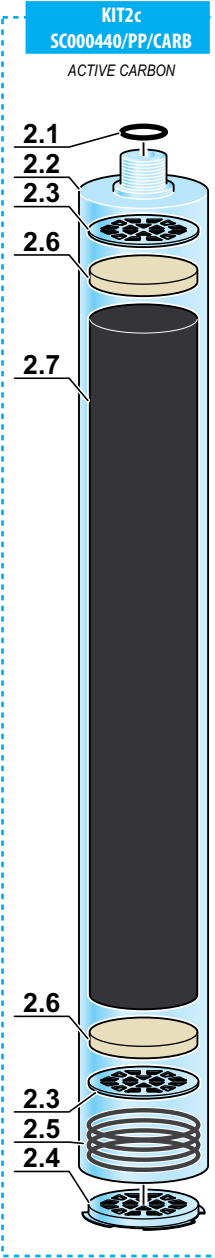
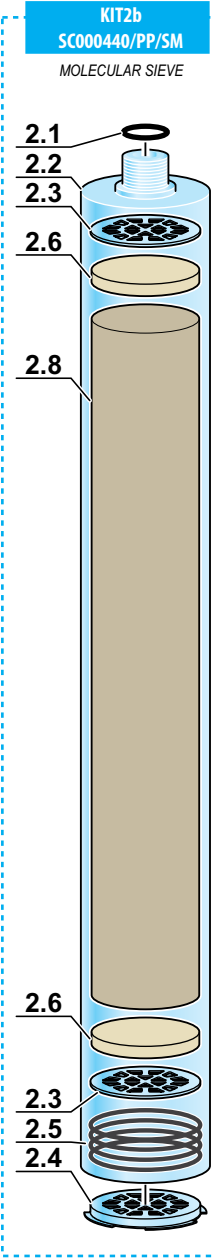
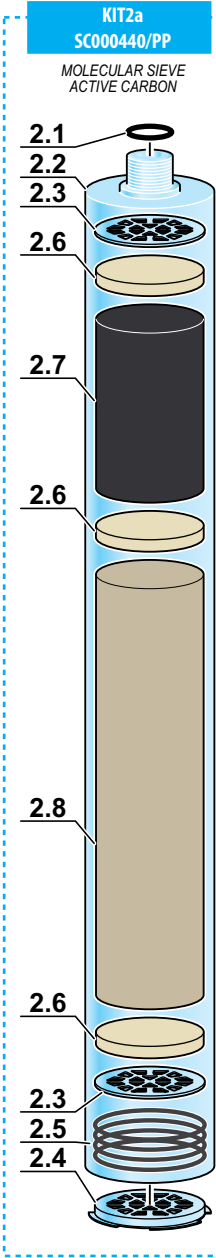
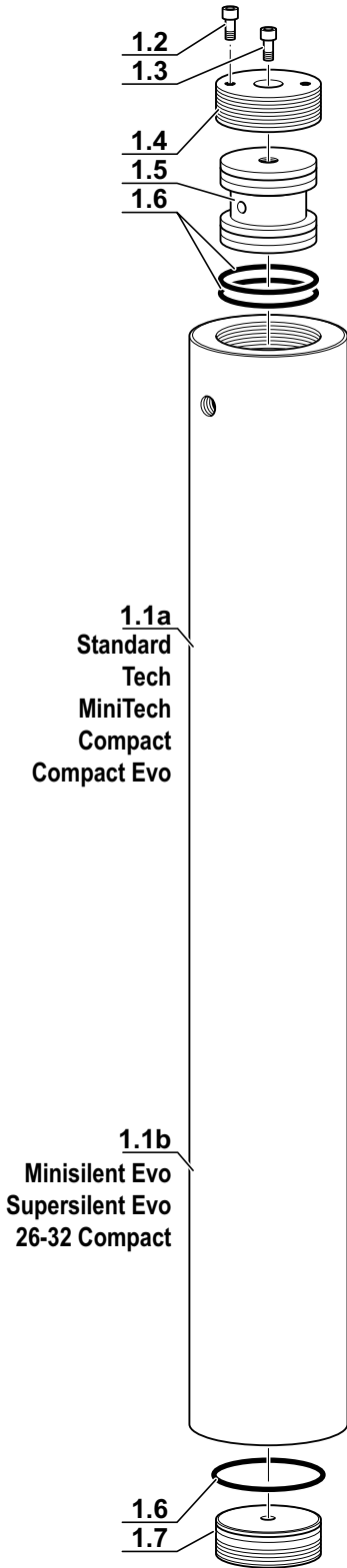
7⁽¹⁾ La valvola deve essere stretta con una coppia di serraggio di **20Nm** - The valve must be tightened with a torque of **20Nm**

MAXIFILTRO DEPURATORE - MAXIFILTER PURIFIER

Rif. Pos.	Q.tà Q.ty	Codice Code	Descrizione	Description
KIT1a	1	13-00-0097/R	KIT MAXIFILTRO	MAXIFILTER KIT
KIT1b	1	13-00-0097/SS/R	KIT MAXIFILTRO SILENT	SILENT MAXIFILTER KIT
1.1a	1		CORPO MAXI FILTRO	MAXI FILTER BODY
1.1b	1		CORPO MAXI FILTRO PER SUPER SILENT EVO	MAXI FILTER BODY FOR SUPER SILENT EVO
1.2	2		VITE T.C.E. INOX 8X12 DIN 912	T.C.E. INOX 8X12 SCREW
1.3	1		VITE T.C.E. INOX 8X30 DIN912	SCREW T.C.E. INOX 8X30
1.4	1		TAPPO SUPERIORE FILTRO	UPPER FILTER CAP
1.5	1		TAPPO INTERNO FILTRO	INTERNAL FILTER CAP
1.6	3	13-00-0155	O-RING 6162 NBR90 (40.65X5,33)	O-R CAP FILTER
1.7	1		TAPPO INFERIORE FILTRO MCH 13/16	LOWER FILTER CAP
KIT2a	1	SC000440/PP	CARTUCCIA MAXIFILTER CARB. ATT./SET. MOL.	MAXIFILTER A. CARBON /M. SIEVE CARTRIDGE
KIT2b	1	SC000440/PP/SM	CARTUCCIA MAXIFILTER SETACCIO MOLECOLARE	MAXIFILTER MOLECULAR SIEVE CARTRIDGE
KIT2c	1	SC000440/PP/CARB	CARTUCCIA MAXIFILTER CARBONE ATTIVO	MAXIFILTER ACTIVE CARBON CARTRIDGE
KIT2d	1	SC000440/PP/CO-CATALYST	CARTUCCIA MAXIFILTER CARB./SET./HOPKALITE	MAXIFILTER CARBON/SIEVE/HOPKALITE CARTRIDGE
2.1	1		O-RING 3050 NBR 90SH(12.37X2.62)	O-RING 3050 NBR 90SH(12.37X2.62)
2.2	1		CORPO CARTUCCIA MAXIFILTER PP	CATRIDGE MAXIFILTER BODY PP
2.3	2		DISCO FORATO PP Ø39MM	PERFORATED DISK PP Ø39MM
2.4	1		TAPPO CARTUCCIA MAXIFILTER PP	CARTRIDGE CAP MAXIFILTER PP
2.5	3		MOLLA MAXIFILTER	MAXIFILTER SPRING
2.6	3		DISCO FELTRO DIAMETRO 40MM	FELT DISK DIAM.40 MM.
2.7	1	SC000350	CARBONE ATTIVO GRANULARE	ACTIVE CARBON
2.8	1	SC000380	SETACCIO MOLECOLARE	MOLECULAR SIEVE
2.9	1	SC000355	FISSATORE MONOSSIDO DI CARBONIO 814	CO CATALYST MOLECULITE 814

MAXIFILTRO DEPURATORE - MAXIFILTER PURIFIER

KIT1a - 13-00-0097/R
KIT1b - 13-00-0097/SS/R

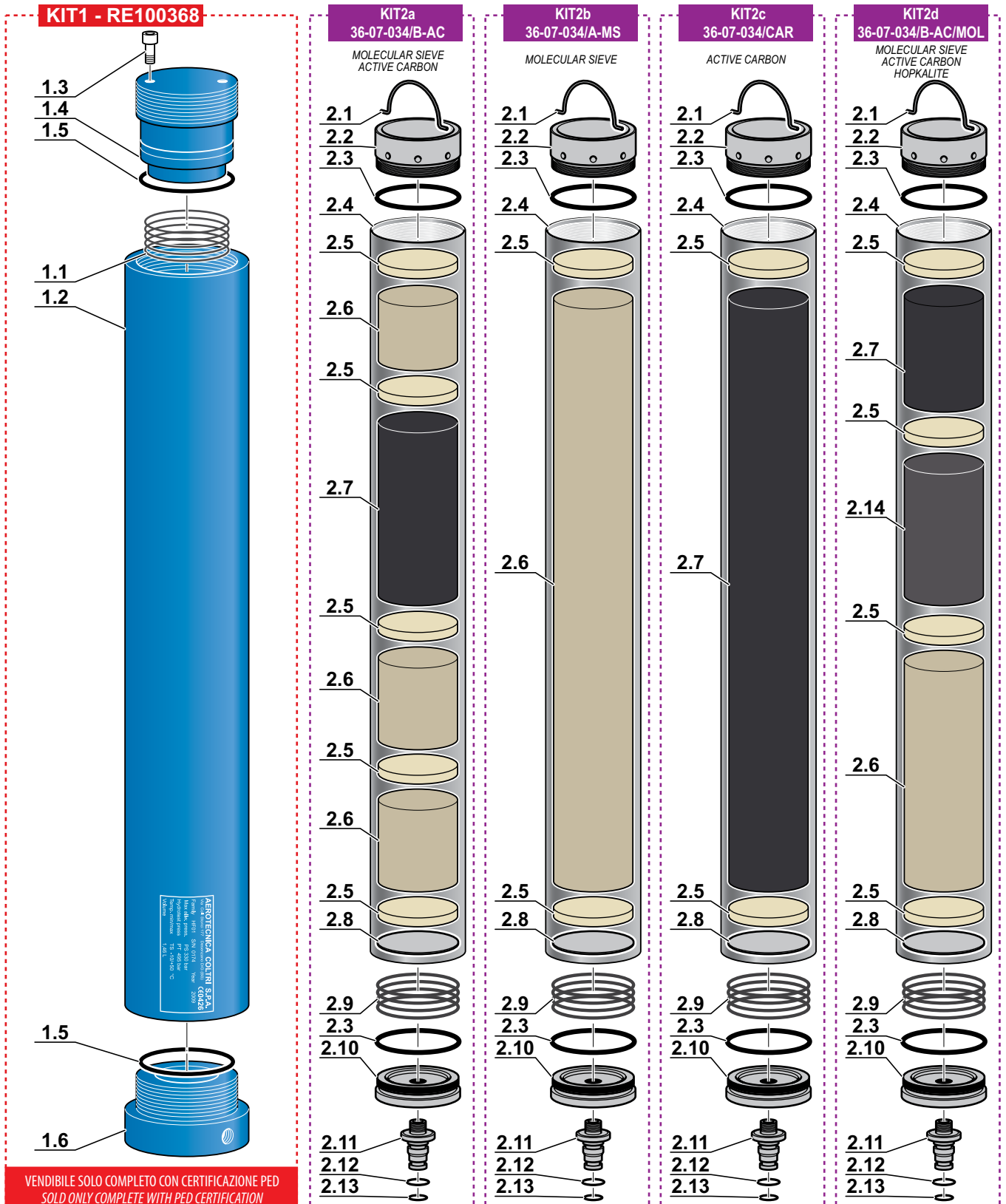


HYPERFILTER DEPURATORE - HYPERFILTER PURIFIER

Rif. Pos.	Q.tà Q.ty	Codice Code	Descrizione	Description
KIT1	1	RE100368	HYPER FILTER (senza cartuccia Hyper)	HYPER FILTER (without Hyper cartridge)
1.1	1		MOLLA CARTUCCIA HYPER FILTER	HYPERFILTER CARTRIDGE SPRING
1.2	1		CORPO HYPER FILTER 110MM	HYPERFILTER BODY 110MM
1.3	2		VITE T.C.E. ZINC. 10X16 DIN912	SCREW T.C.E. ZINC. 10X16 DIN912
1.4	1		TAPPO SUPERIORE SENZA SENSORE	UPPER PLUG WITHOUT SENSOR
1.5	2		O-RING 6262 NBR90	O-RING 6262 NBR90
1.6	1		TAPPO INFERIORE HYPER FILTER FORI DA 1/4G	LOWER CAP HYPERFILTER HOLES TO 1/4G

KIT2a	1	36-07-034/B-AC	CARTUCCIA HYPERFILTER CARB. ATT./SET.MOL.	HYPERFILTER ACT. CARB./MOLEC. SIEVE CARTRIDGE
KIT2b	1	36-07-034/A-MS	CARTUCCIA HYPERFILTER SETACCIO MOLECOLARE	HYPERFILTER MOLECULAR SIEVE CARTRIDGE
KIT2c	1	36-07-034/CAR	CARTUCCIA HYPERFILTER CARBONE ATTIVO	HYPERFILTER ACTIVE CARBON CARTRIDGE
KIT2d	1	36-07-034/B-AC/MOL	CARTUCCIA HYPERFILTER CARB./SET./HOPKALITE	HYPERFILTER CARBON/SIEVE/HOPKALITE CARTRIDGE
2.1	1		GANCIO INOX CARTUCCIA HYPERFILTER	STEEL HOOK HYPERFILTER CARTRIDGE
2.2	1		TAPPO SUPERIORE CARTUCCIA HYPERFILTER	TOP CAP HYPERFILTER CARTRIDGE
2.3	2		O-RING 3237/70SH (60x2.62)	O-RING 3237/70SH (60x2.62)
2.4	1		CORPO CARTUCCIA HYPERFILTER	CARTRIDGE BODY HYPERFILTER CARTRIDGE
2.5	6		DISCO FELTRO 66x11	FELT DISC 66x11
2.6	1		SETACCIO MOLECOLARE	MOLECULAR SIEVE
2.7	1		CARBONE ATTIVO GRANULARE	ACTIVE CARBON
2.8	1		DISCO INOX FORATO HYPERFILTER	INOX DISC HYPERFILTER CARTRIDGE
2.9	1		MOLLA CARTUCCIA HYPER FILTER	SPRING HYPERFILTER CARTRIDGE
2.10	1		TAPPO INFERIORE CARTUCCIA FILTRO PRESEC	LOWER CAP PRESEC FILTER CARTRIDGE
2.11	1		RACC. TAPPO INFERIORE CARTUCCIA HYPERFILTER	LOWER FITTING HYPERFILTER CARTRIDGE
2.12	1		O-RING 115 NBR 90 (11,91X2,62)	O-RING 115 NBR 90 (11,91X2,62)
2.13	1		O-RING 112 NBR 90	O-RING 112 NBR 90
2.14	1		FISSATORE MONOSSIDO DI CARBONIO 814	CO CATALYST MOLECULITE 814

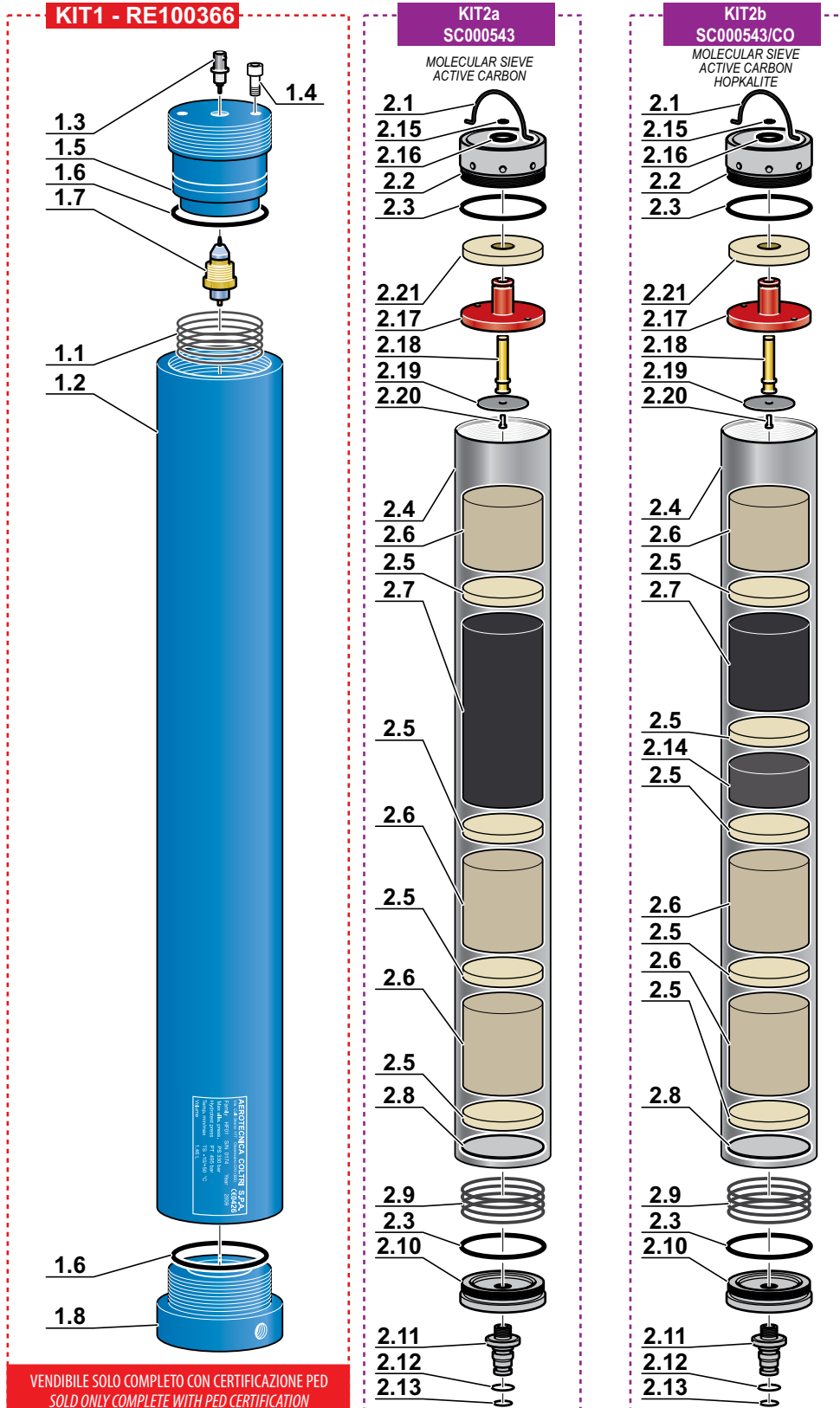
HYPERFILTER DEPURATORE - HYPERFILTER PURIFIER



HYPERFILTER DEPURATORE CON PRESEC - HYPERFILTER PURIFIER WITH PRESEC

Rif. Pos.	Q.tà Q.ty	Codice Code	Descrizione	Description
KIT1	1	RE100366	HYPER FILTER PRESEC (senza cartuccia Hyper)	HYPER FILTER PRESEC (without Hyper cartridge)
1.1	1		MOLLA CARTUCCIA HYPER FILTER	HYPERFILTER CARTRIDGE SPRING
1.2	1		CORPO HYPER FILTER	HYPERFILTER BODY
1.3	1		CONNETTORE PRESEC	PRESEC CONNECTOR
1.4	2		VITE T.C.E. ZINC. 10X16 DIN912	SCREW T.C.E. ZINC. 10X16 DIN912
1.5	1		TAPPO SUPERIORE CON SENSORE HYPER FILTER	UPPER PLUG WITH SENSOR
1.6	2		O-RING 6262 NBR90	O-RING 6262 NBR90
1.7	1		SENSORE PRESEC	PRESEC SENSOR
1.8	1		TAPPO INFERIORE HYPER FILTER FORI DA 1/4G	LOWER CAP HYPERFILTER HOLES TO 1/4G
KIT2a	1	SC000543	CARTUCCIA HYPERFILTER PRESEC CARB./SET.	HYPERFILTER PRESEC CARBON/SIEVE CARTRIDGE
KIT2b	1	SC000543/CO	CARTUCCIA HYPERFILTER PRESEC CARB./SET./HOPKALITE	HYPERFILTER PRESEC CARB./SIEVE/HOPK. CARTRIDGE
2.1	1		GANCIO INOX CARTUCCIA HYPERFILTER	STEEL HOOK HYPERFILTER CARTRIDGE
2.2	1		TAPPO SUPERIORE CARTUCCIA HYPERFILTER	TOP CAP HYPERFILTER CARTRIDGE
2.3	2		O-RING 3237/70SH (60x2.62)	O-RING 3237/70SH (60x2.62)
2.4	1		CORPO CARTUCCIA HYPERFILTER	CARTRIDGE BODY HYPERFILTER CARTRIDGE
2.5	6		DISCO FELTRO 66x11	FELT DISC 66x11
2.6	1		SETACCIO MOLECOLARE	MOLECULAR SIEVE
2.7	1		CARBONE ATTIVO GRANULARE	ACTIVE CARBON
2.8	1		DISCO INOX FORATO HYPERFILTER	INOX DISC HYPERFILTER CARTRIDGE
2.9	1		MOLLA CARTUCCIA HYPER FILTER	SPRING HYPERFILTER CARTRIDGE
2.10	1		TAPPO INFERIORE CARTUCCIA FILTRO PRESEC	LOWER CAP PRESEC FILTER CARTRIDGE
2.11	1		RACC. TAPPO INFERIORE CARTUCCIA HYPERFILTER	LOWER FITTING HYPERFILTER CARTRIDGE
2.12	1		O-RING 115 NBR 90 (11,91X2,62)	O-RING 115 NBR 90 (11,91X2,62)
2.13	1		O-RING 112 NBR 90	O-RING 112 NBR 90
2.14	1		FISSATORE MONOSSIDO DI CARBONIO 814	CO CATALYST MOLECULITE 814
2.15	1		ANELLO SEEGER A7	SEEGER A7
2.16	1		ANELLO SEEGER A14	SEEGER A14
2.17	1		FLANGIA PVC PORTA SENSORE	FLANGE PVC HOLDER SENSOR
2.18	1		SENSORE PRESEC	PRESEC SENSOR
2.19	1		DISCO ALL. SENSORE PRESEC 38X3X1MM	ALUMINUM RING PRESEC 38X3X1MM
2.20	1		VITE TC 3x5	SCREW TC 3x5
2.21	1		DISCO FELTRO PRESEC CON FORO DIAM. 16 66X11	PERFORATED FELT DISC 66x11

HYPERFILTER DEPURATORE CON PRESEC - HYPERFILTER PURIFIER WITH PRESEC



VALVOLA DI SICUREZZA - SAFETY VALVE

Rif. Pos.	Q.tà Q.ty	Codice Code	Descrizione	Description
1a	1	6-05-015/2/2200	VALVOLA DI SICUREZZA 200 BAR	SAFETY VALVE 200 BAR
1b	1	6-05-015/2/232	VALVOLA DI SICUREZZA 232 BAR	SAFETY VALVE 232 BAR
1c	1	6-05-015/2/250	VALVOLA DI SICUREZZA 250 BAR	SAFETY VALVE 250 BAR
1d	1	6-05-015/2/300	VALVOLA DI SICUREZZA 300 BAR	SAFETY VALVE 300 BAR
1e	1	6-05-015/2/330	VALVOLA DI SICUREZZA 330 BAR	SAFETY VALVE 330 BAR
1f	1	6-05-015/2/360	VALVOLA DI SICUREZZA 360 BAR	SAFETY VALVE 360 BAR
2	1	OR-114/90	O-RING 114 NBR 90	O-RING 114 NBR 90
3	1	6-05-015H/N	RACC. VALVOLA SICUREZZA 1/8NPT-M12 PASSO 1,25	SAFETY VALVE FITTING 1/8NPT-M12X1,25

VALVOLA MANTENIMENTO PRESSIONE - PRESSURE MAINTENANCE VALVE

Rif. Pos.	Q.tà Q.ty	Codice Code	Descrizione	Description
KIT1a	1	13-00-0127/1	VALVOLA DI MANTENIMENTO 1/8	MANTAINING PRESSURE VALVE 1/8
KIT1b	1	36-07-044	VALVOLA DI MANTENIMENTO 1/4	MANTAINING PRESSURE VALVE 1/4
1.1a	1		CORPO VALV. MANTENIMENTO 1/8NPT	MAINTENANCE VALVE BODY 1/8 NPT
1.1b	1		CORPO VALV. MANTENIMENTO 1/4NPT	MAINTENANCE VALVE BODY 1/4 NPT
1.2	2		O RING 2015 NBR 90 (3,69X1,78)	O RING 2015 NBR 90 (3,69X1,78)
1.3	1		PISTONE VALVOLA MANTENIMENTO MCH 13/16	MAINTENANCE VALVE PISTON MCH13/16
1.4	1		DADO VALV. MANT. PRESSIONE ALL. M20X1,5	VMP NUT M20X1,5
1.5	1		RONDELLA TEFLON PER PISTONE VMP	TEFLON RING VMP PISTON
1.6	1		VITE VALVOLA MANTENIMENTO MCH 13/16	MAINTENANCE VALVE SCREW MCH13/16
1.7	1		DISTANZIALE MOLLA PISTONE VPM	VMP PISTON SCREW SPACER
1.8	1		MOLLA VALVOLA SICUREZZA	SAFETY VALVE SPRING
1.9	1		CAPPUCCIO VALVOLA MANT.PRESS. ALL.	VMP CAP
1.10	1		SFERA ACCIAIO INOX Ø6 VMP	STAINLESS STEEL BALL Ø6 VMP
1.11	1		O RING 2031 NBR 90 (7,65x1,78)	O RING 2031 NBR 90 (7,65x1,78)

VALVOLA DI SICUREZZA - VALVOLA MANTENIMENTO PRESSIONE
SAFETY VALVE - PRESSURE MAINTENANCE VALVE

1a - 6-05-015/2/200 (200bar-2900PSI)
 6-05-015/2/200 M12x1.25 AL
 PS 500 BAR TS-20 +80°C
200 BAR
 S/N 14L 0151
 AEROTECNICA COLTRI S.p.A.

1b - 6-05-015/2/232 (232bar-3300PSI)
 6-05-015/2/232 M12x1.25 AL
 PS 500 BAR TS-20 +80°C
232 BAR
 S/N 14L 0151
 AEROTECNICA COLTRI S.p.A.

1c - 6-05-015/2/250 (250bar-3600PSI)
 6-05-015/2/250 M12x1.25 AL
 PS 500 BAR TS-20 +80°C
250 BAR
 S/N 14E 0825
 AEROTECNICA COLTRI S.p.A.

1d - 6-05-015/2/300 (300bar-4300PSI)
 6-05-015/2/300 M12x1.25 AL
 PS 500 BAR TS-20 +80°C
300 BAR
 S/N 14L 0151
 AEROTECNICA COLTRI S.p.A.

1e - 6-05-015/2/330 (330bar-4700PSI)
 6-05-015/2/330 M12x1.25 AL
 PS 500 BAR TS-20 +80°C
330 BAR
 S/N 14L 0438
 AEROTECNICA COLTRI S.p.A.

1f - 6-05-015/2/360 (360bar-5200PSI)
 6-05-015/2/360 M12x1.25 AL
 PS 500 BAR TS-20 +80°C
360 BAR
 S/N 14L 0542
 AEROTECNICA COLTRI S.p.A.

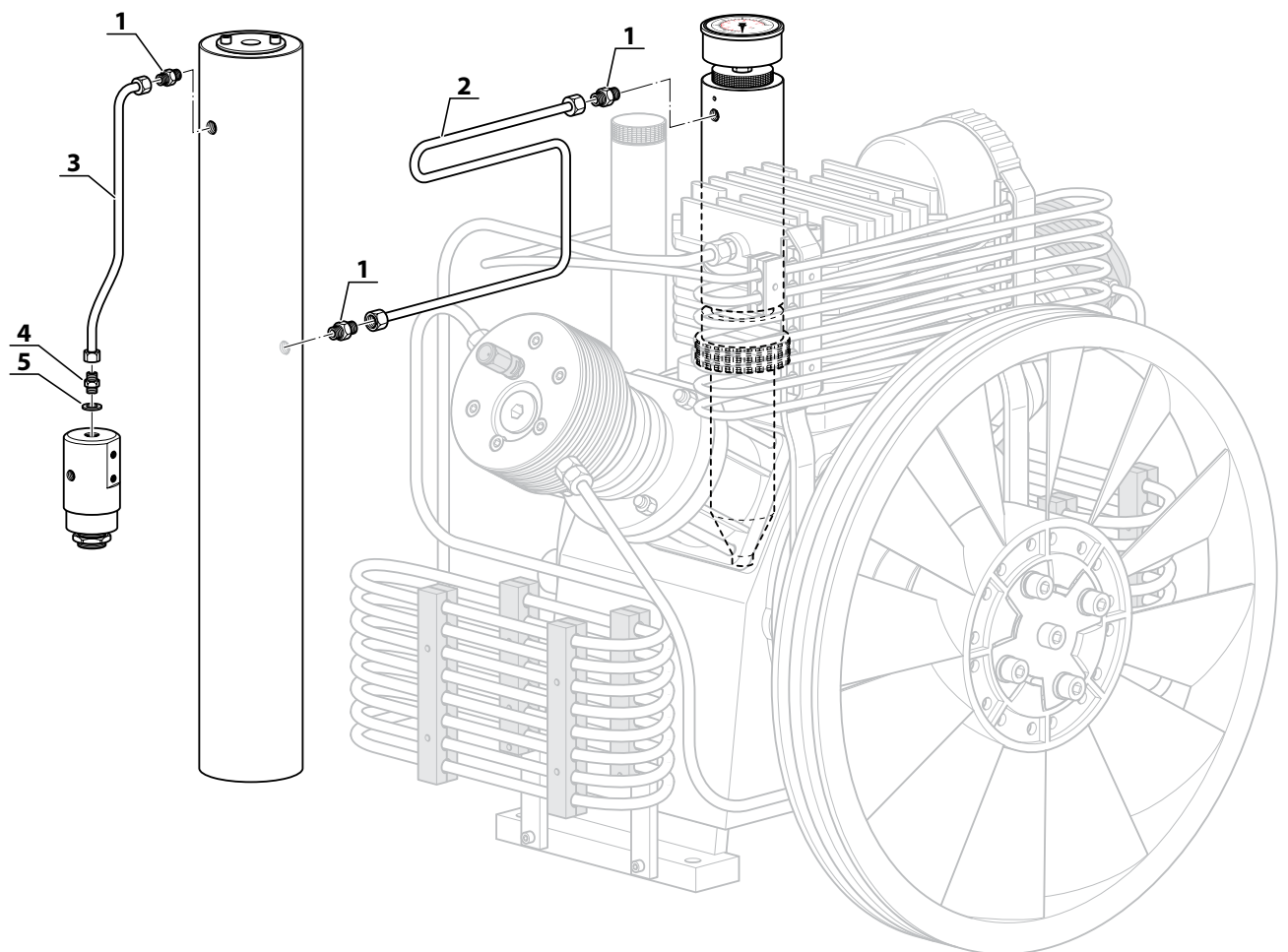
VALVOLA DI SICUREZZA
SAFETY VALVE

VALVOLA MANTENIMENTO PRESSIONE
PRESSURE MAINTENANCE VALVE

STANDARD - TECH - MINITECH	COMPACT - SILENT - MINISILENT
KIT1a(1/8) - 13-00-0127/1	KIT1b(1/4) - 36-07-044

CIRCUITO DI FILTRAZIONE - FILTERING CIRCUIT
Mod: Standard - MiniTech

Rif. Pos.	Q.tà Q.ty	Codice Code	Descrizione	Description
1	3	13-00-0174E	RACCORDO 1/8 NPT TUBO 6MM	FITTING 1/8 NPT TUBE 6 MM
2	1	TUBO/MCH13/B/N/P	TUBO COLLEGAM. FILTRO/SEP. (B)	SEPARATOR-FILTER TUBE CONNECTION13/16
3	1	13-04-0320/P	TUBO COLLEG. FIL.VALV.MANT.(A)	FILTER-VMP TUBE CONNECTION MCH13/16
4	1	13-00-0025E	RACCORDO 1/4 G -TUBO 6MM DIRITTO ERMETO	FITTING 1/4 G -TUBO 6MM ERMETO
5	1	GUAR1319	RONDELLA 1/4 IN RAME	COPPER WASHER 1/4

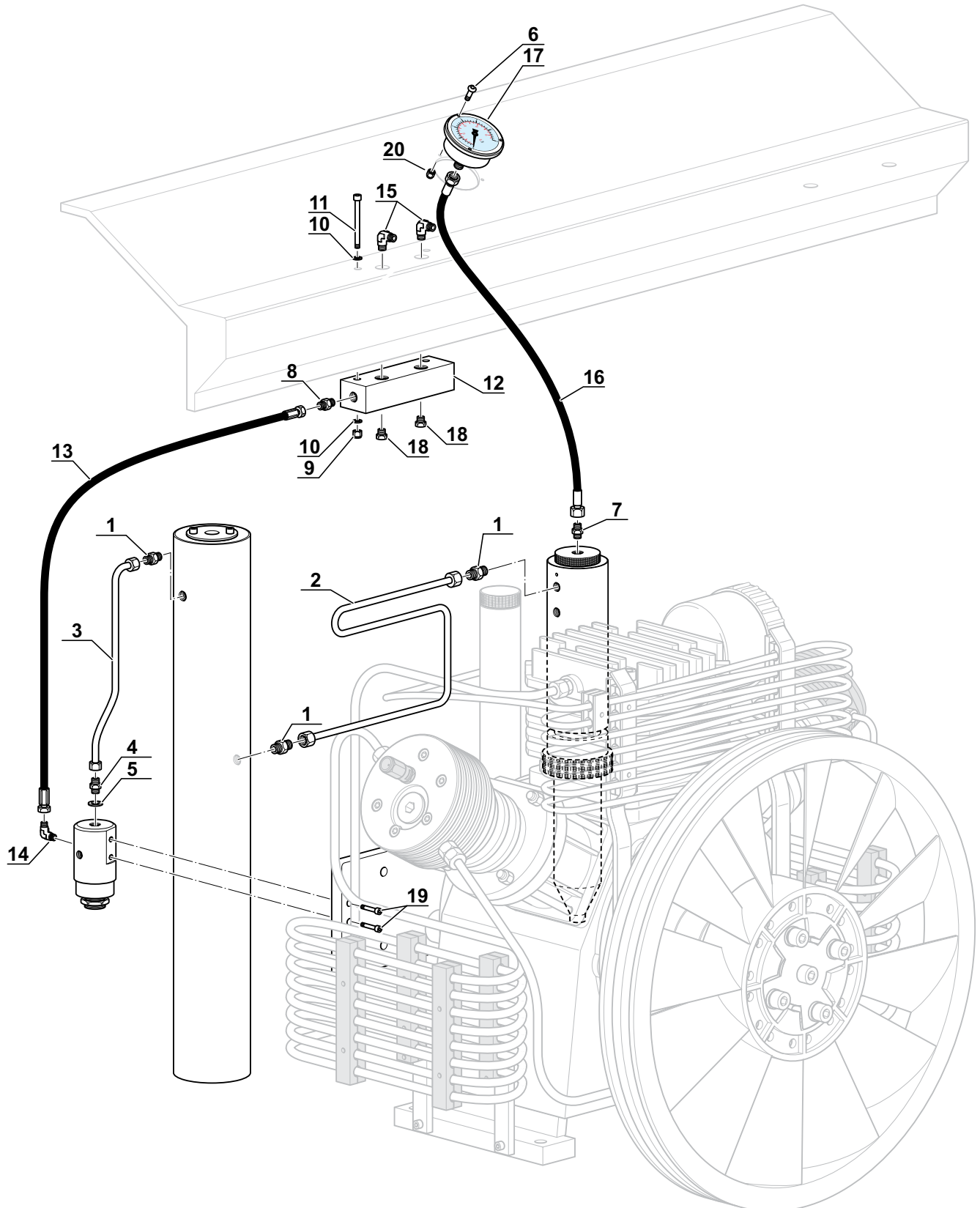
CIRCUITO DI FILTRAZIONE - FILTERING CIRCUIT
Mod: Standard - MiniTech

CIRCUITO DI FILTRAZIONE - FILTERING CIRCUIT

Mod: Tech

Rif. Pos.	Q.tà Q.ty	Codice Code	Descrizione	Description
1	3	13-00-0174E	RACCORDO 1/8 NPT TUBO 6MM	FITTING 1/8 NPT TUBE 6 MM
2	1	TUBO/MCH13/B/N/P	TUBO COLLEGAM. FILTRO/SEP. (B)	SEPARATOR-FILTER TUBE CONNECTION13/16
3	1	13-04-0320/P	TUBO COLLEG. FIL.VALV.MANT.(A)	FILTER-VMP TUBE CONNECTION MCH13/16
4	1	13-00-0025E	RACCORDO 1/4 G -TUBO 6MM DIRITTO ERMETO	FITTING 1/4 G -TUBO 6MM ERMETO
5	1	GUAR1319	RONDELLA 1/4 IN RAME	COPPER WASHER 1/4
6	3	36-07-006	VITE TCEI M3X10 INOX MCH36	SCREW TCEI M3X10 INOX MCH36
7	1	13-00-0025	RACCORDO 1/4 NPT -TUBO 6MM DIRITTO 7/16	STRAIGHT FITTING 1/4 TUBE 6MM 7/16
8	1	13-00-0025	RACCORDO 1/4NPT - 7/16 TUBO6	FITTING 1/4NPT - 7/16 PIPE6
9	2	13-00-0137	DADO ZINCATO AUTOBLOC. M6 ALTO	SELF LOCKING NUT M6 HIGH
10	4	RON6I	RONDELLA PIANA M6 INOX DIN125	FLAT WASHER M6 INOX DIN125
11	2	VITE0645I	VITE T.C.E. INOX 6X45	SCREW T.C.E. INOX 6X45
12	1	13-04-0217	BLOCCHETTO ALLUMINIO RAMPA DI RICARICA	RECHARGE ALUMINIUM BLOCK
13	1	13-04-0285/AIR	TUBO HP R8 800MM AIR	HP R8 800MM AIR TUBE
14	1	13-00-0144	RACCORDO 90° 1/8 - 7/16 TUBO 6MM	FITTING 90° 1/8 - TUBO 6MM
15	2	36-07-008	RACCORDO 90° 1/4NPT - 7/16 TUBO6	FITTING 90° 1/4NPT - 7/16 PIPE6
16	1	13-04-0213	MICROTUBO 1/4-7/16 400MM	MICRO-HOSE 1/4-7/16 400MM
17	1	13-04-0211	MANOMETRO 0-500BAR CON FLANGIA	MANOMETER 0-500BAR W/FLANGE
18	2	6-00-028	TAPPO SCARICO OLIO MCH-6	DISCHARGE OIL PLUG
19	1	13-00-0084	VITE 6X15 T.C.E. ZINC.	SCREW 6X15 T.C.E. ZINC.
20	3	DA003I	DADO INOX AUTOBLOC. M3	SELF LOCKING NUT M3 INOX

CIRCUITO DI FILTRAZIONE - FILTERING CIRCUIT
Mod: Tech





AEROTECNICA COLTRI Spa
Via Colli Storici, 177
25015 DESENZANO DEL GARDA (BS) ITALY
Tel. +39 030 9910301 - Fax. +39 030 9910283
www.coltri.com

LP-MCH1316-1117